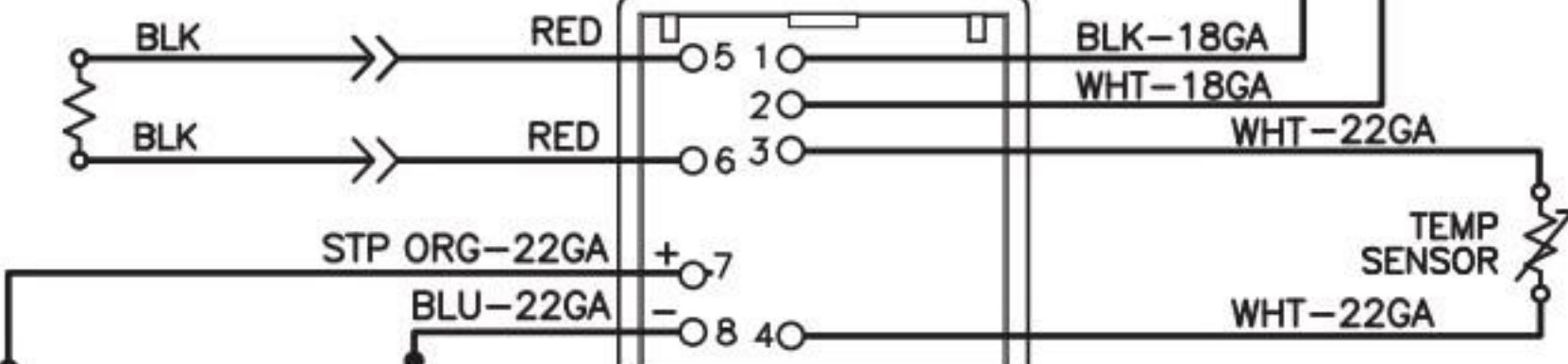


WARMER ELEMENT
220Vac-75W



LED 5mm - RED 1.8Vdc
or
LED 5mm - GREEN 1.9Vdc

CONTROL MODULE, UPM 220V

FEMALE IF CONNECTOR
110-120Vac



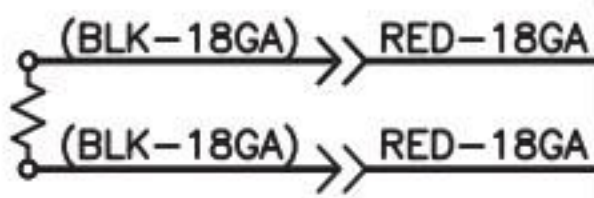
WHT-18GA

BLK-18GA

GRN-18GA

CHASSIS GROUND

WARMER ELEMENT
120Vac-75W



BLK-18GA

WHT-18GA

STP ORG-22GA

BLU-22GA

WHT-28GA

WHT-28GA

TEMP SENSOR

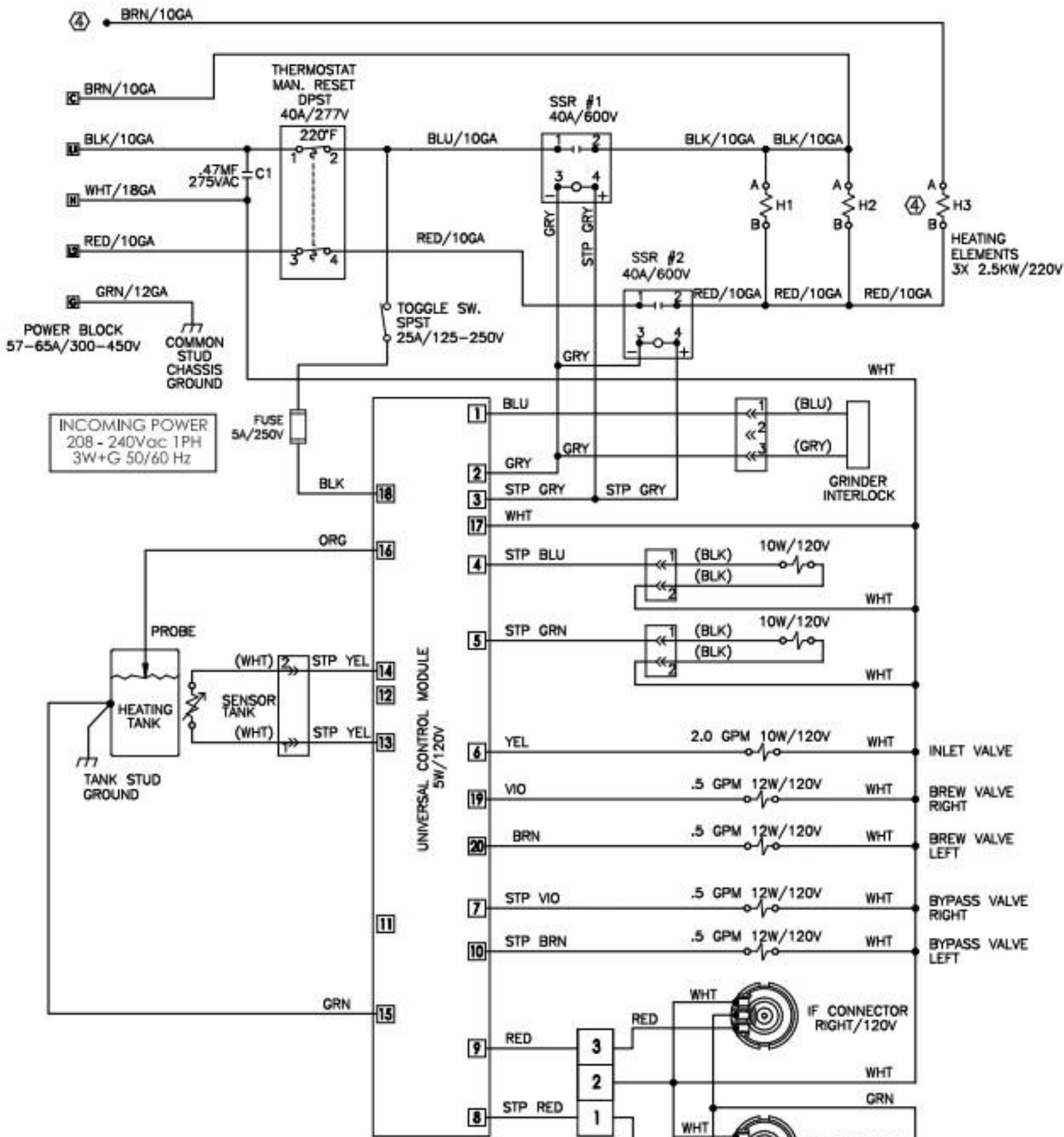


LED 5mm - RED 1.8Vdc
or
LED 5mm - GREEN 1.9Vdc

CONTROL MODULE
UPM 120V

Pin Assignments

Pin Assignments	
1	120V HOT
2	
3	
4	
5	
6	
7	
8	
9	
10	
11	
12	
13	
14	
15	
16	
17	
18	
19	
20	
21	
22	
23	
24	
25	
26	
27	
28	
29	
30	
31	
32	
33	
34	
35	
36	
37	
38	
39	
40	



ELECTRICAL RATING TABLE

MACHINE	HEATING ELEMENTS			GEM3F		TOTAL POWER (WATTS)	TOTAL CURRENT (AMPERES)
	H1	H2	H3	LEFT	RIGHT		
GEMTIF10 @208Vac	●	●		●	●	4550	21.5
GEMTIF10 @220Vac	●	●		●	●	5100	23.0

LEGEND

UNIVERSAL CONTROL MODULE
PIN ASSIGNMENT (20 PIN)
1 = GRINDER
2 = COMMON - SOLID STATE

/// CHASSIS GROUND

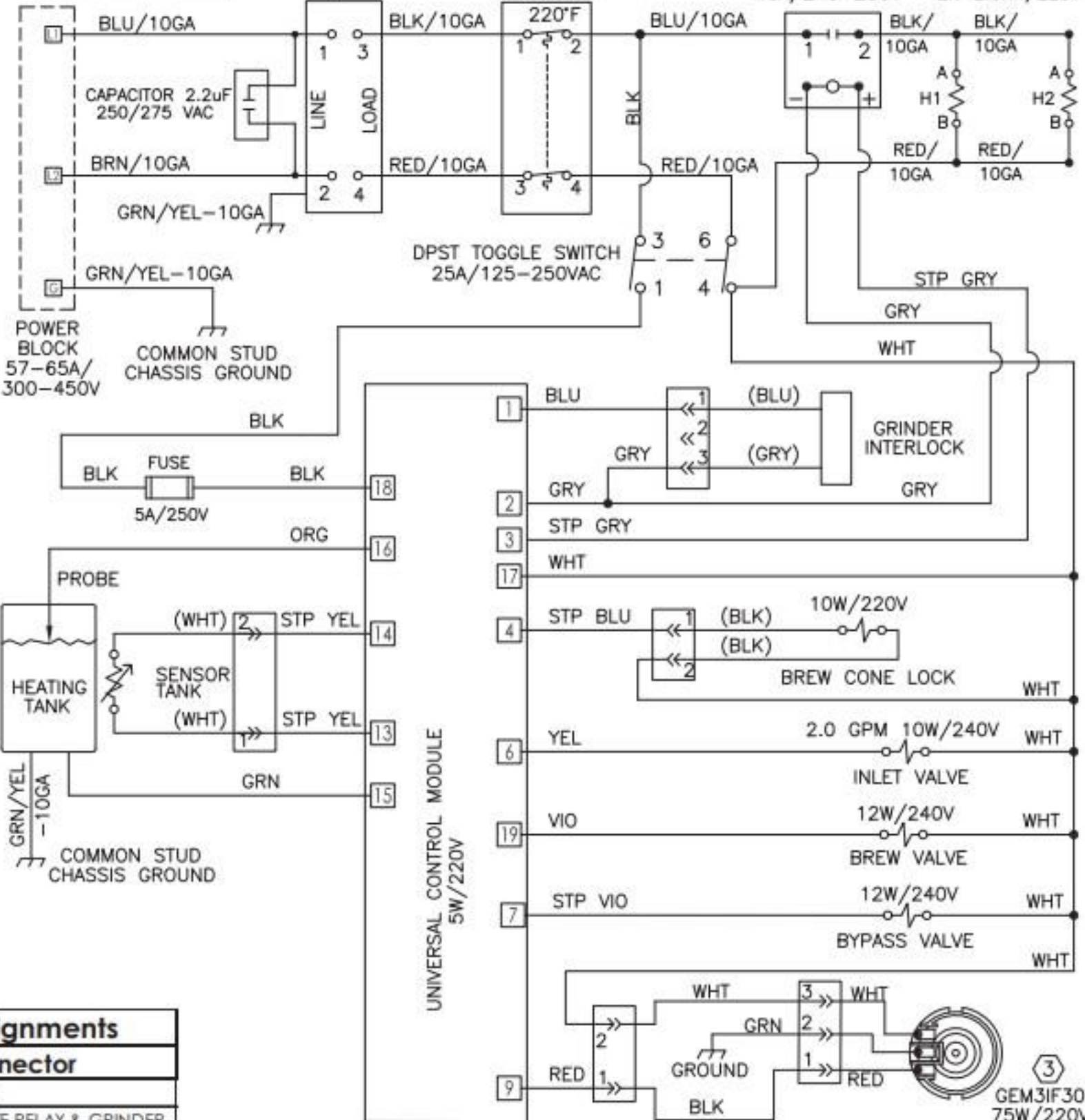
INCOMING POWER
220-240Vac 1PH
2W+G 50/60 Hz

EMI FILTER
30A/250V

THERMOSTAT
MAN. RESET
DPST
40A/277V

SOLID STATE RELAY
40A/240-280V

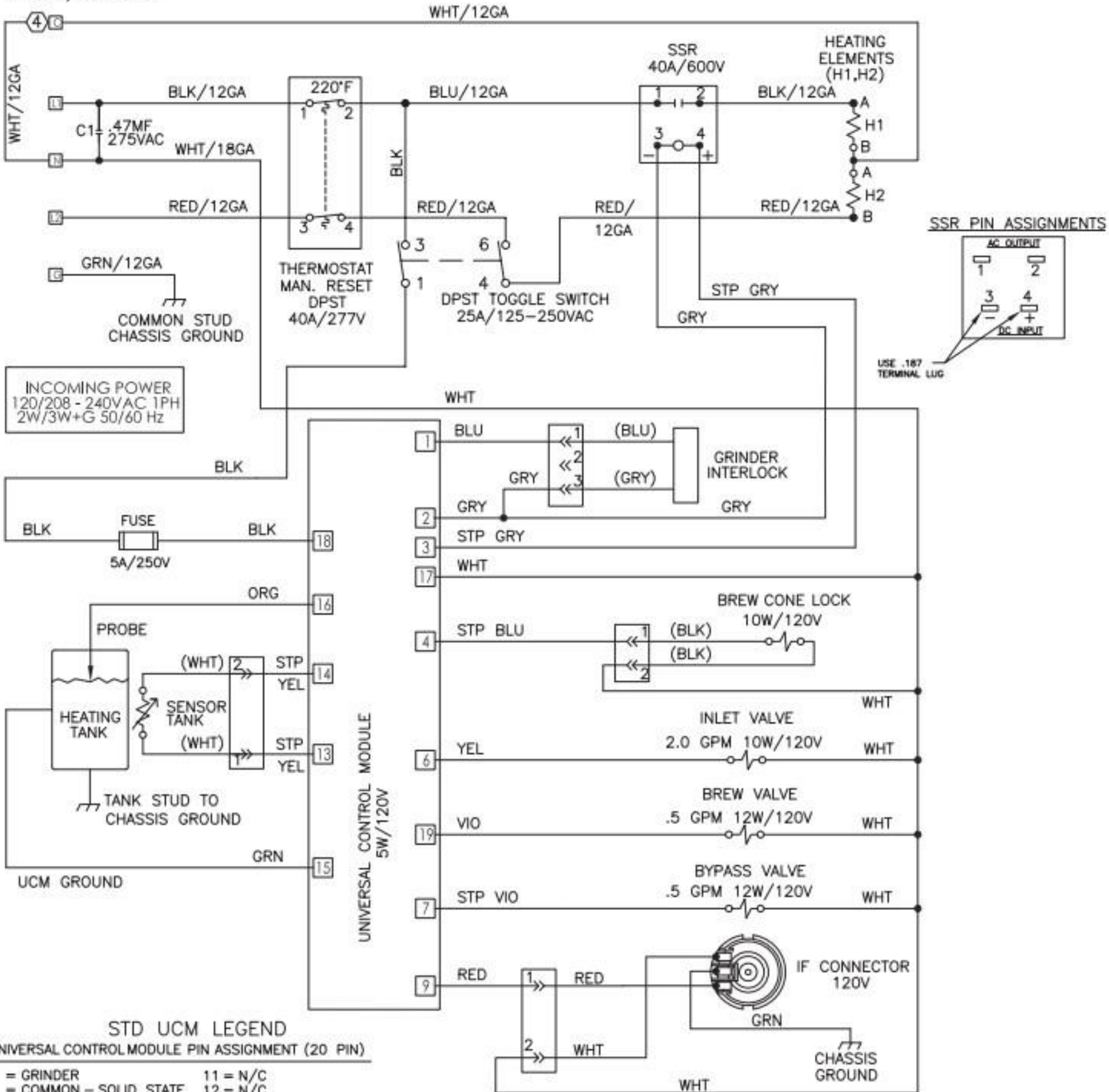
HEATING ELEMENTS
2X-2.0KW/220V



Assignments
Connector
RELAY & GRINDER

GEM3IF30
75W/220V

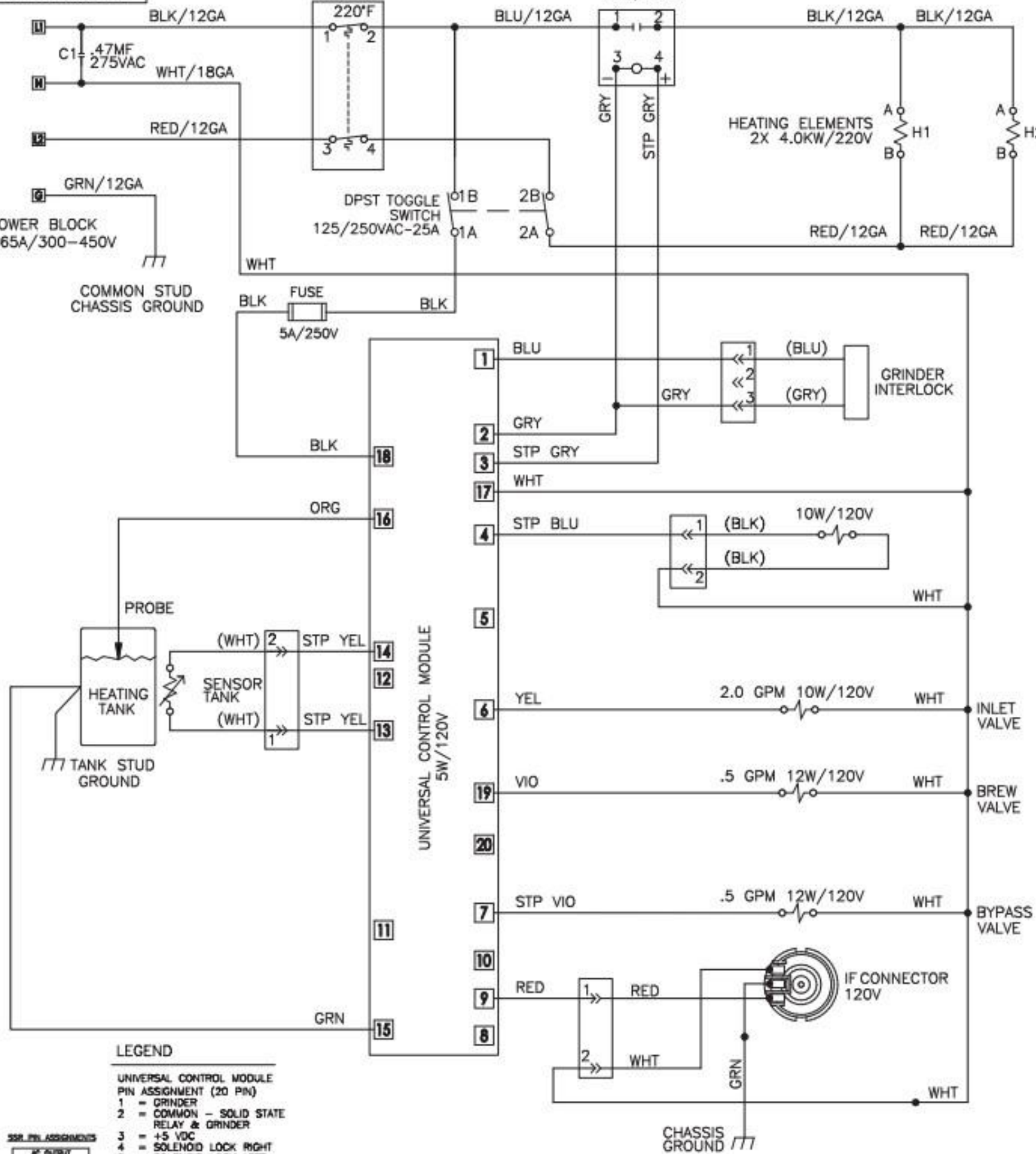
POWER BLOCK
57-65A/300-450V



INCOMING POWER
208 - 240Vac 1PH
3W+G 50/60 Hz

THERMOSTAT
MAN. RESET
DPST
40A/277V

SSR
40A/600V



LEGEND

UNIVERSAL CONTROL MODULE
PIN ASSIGNMENT (20 PIN)

- 1 = GRINDER
- 2 = COMMON - SOLID STATE RELAY & GRINDER
- 3 = +5 VDC
- 4 = SOLENOID LOCK RIGHT
- 5 = SOLENOID LOCK LEFT

SSR PIN ASSIGNMENTS

AC INPUT