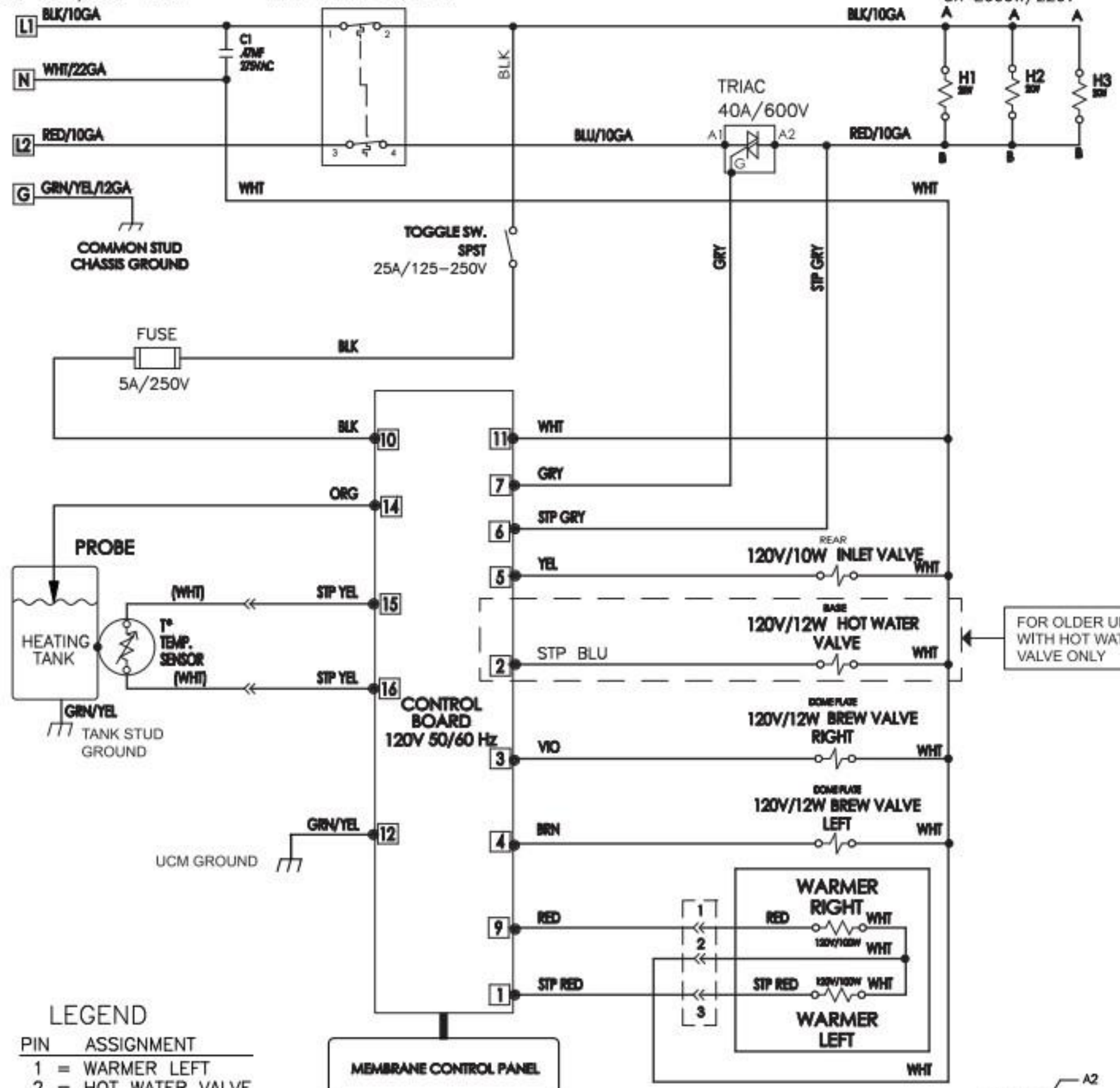


POWER BLOCK
57-65A/300-450V

220°F THERMOSTAT
MAN. RESET 40A/277V

HEATING ELEMENT
3X 2000W/220V



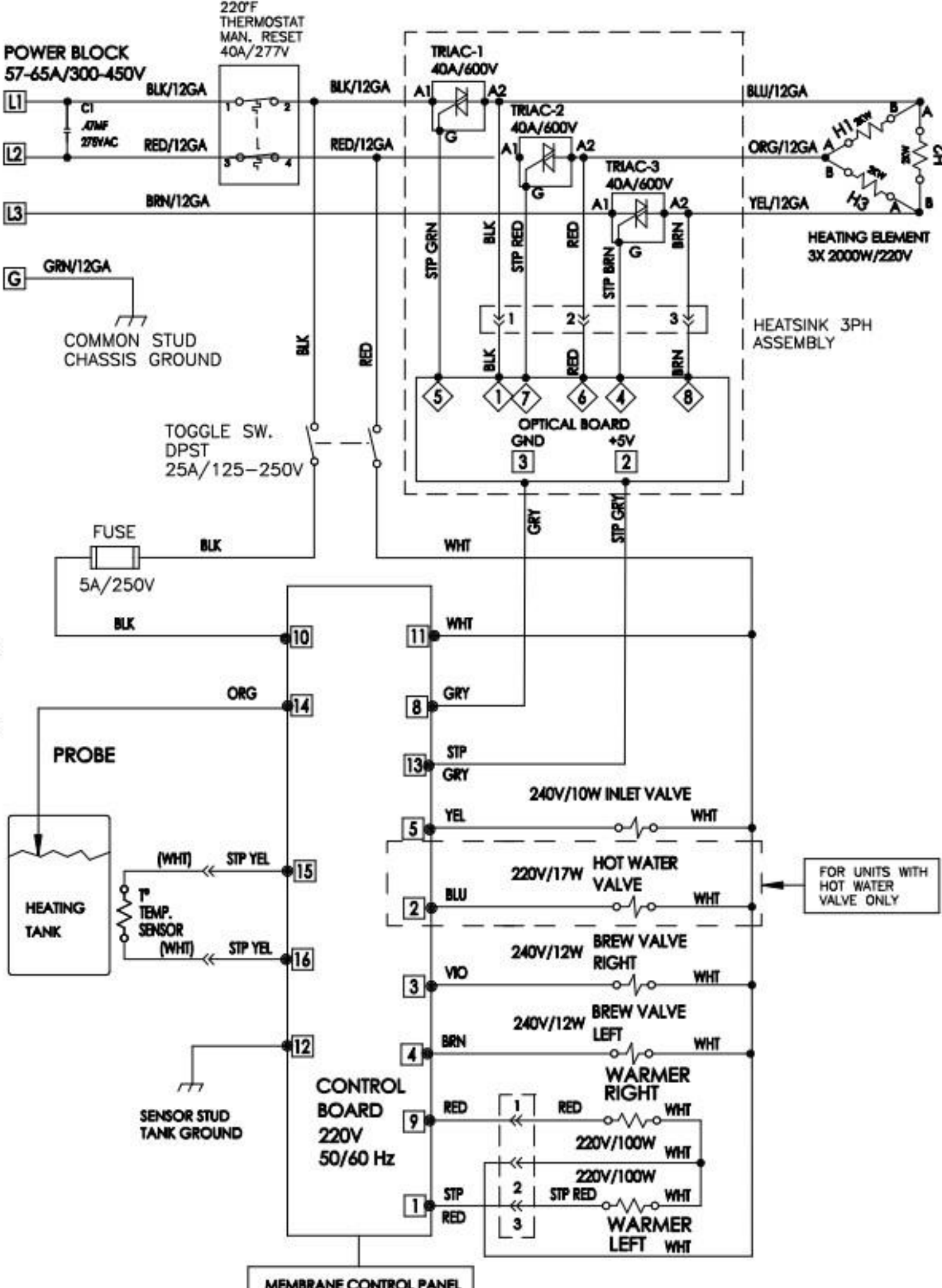
FOR OLDER UNITS WITH HOT WATER VALVE ONLY

LEGEND

| PIN | ASSIGNMENT |
|-----|--------------------|
| 1 | = WARMER LEFT |
| 2 | = HOT WATER VALVE |
| 3 | = BREW VALVE RIGHT |

MEMBRANE CONTROL PANEL

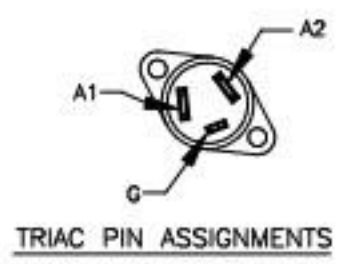
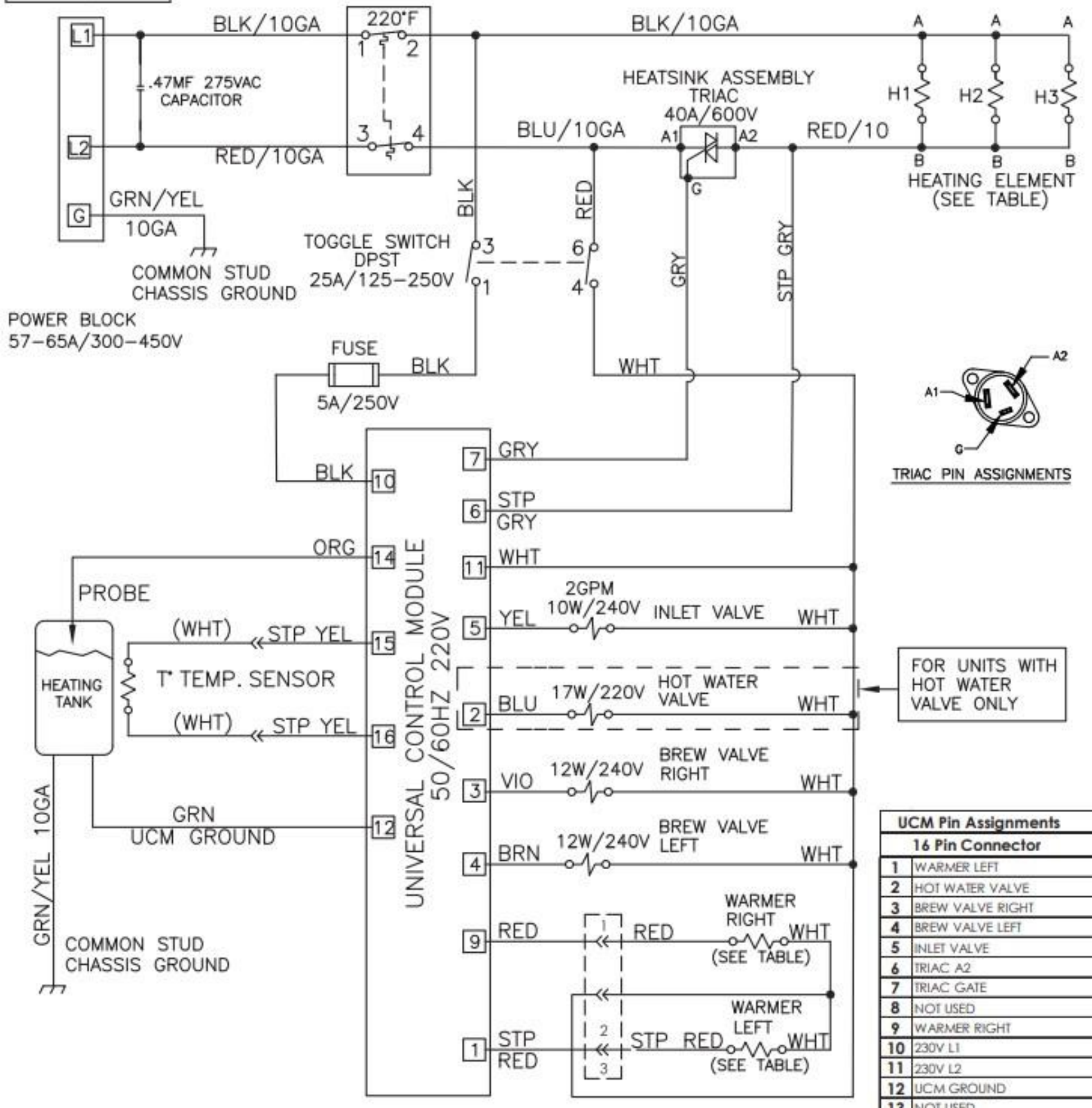




| | | | | | | | | | |
|------------|-----|------|------|-------|---|---|---|------------|----------------|
| GEM-12D-30 | 220 | 29 | 6300 | 50/60 | 2 | 1 | 3 | 2000W/220V | (2X) 100W/220V |
| GEM-12D-30 | 230 | 29.9 | 6890 | | | | | | |
| GEM-12D-30 | 230 | 31.2 | 7500 | | | | | | |

INCOMING POWER
230Vac 1PH
2W+G 50/60Hz

THERMOSTAT
MAN. RESET
40A/277V



FOR UNITS WITH
HOT WATER
VALVE ONLY

| UCM Pin Assignments | |
|---------------------|------------------|
| 16 Pin Connector | |
| 1 | WARMER LEFT |
| 2 | HOT WATER VALVE |
| 3 | BREW VALVE RIGHT |
| 4 | BREW VALVE LEFT |
| 5 | INLET VALVE |
| 6 | TRIAC A2 |
| 7 | TRIAC GATE |
| 8 | NOT USED |
| 9 | WARMER RIGHT |
| 10 | 230V L1 |
| 11 | 230V L2 |
| 12 | UCM GROUND |
| 13 | NOT USED |