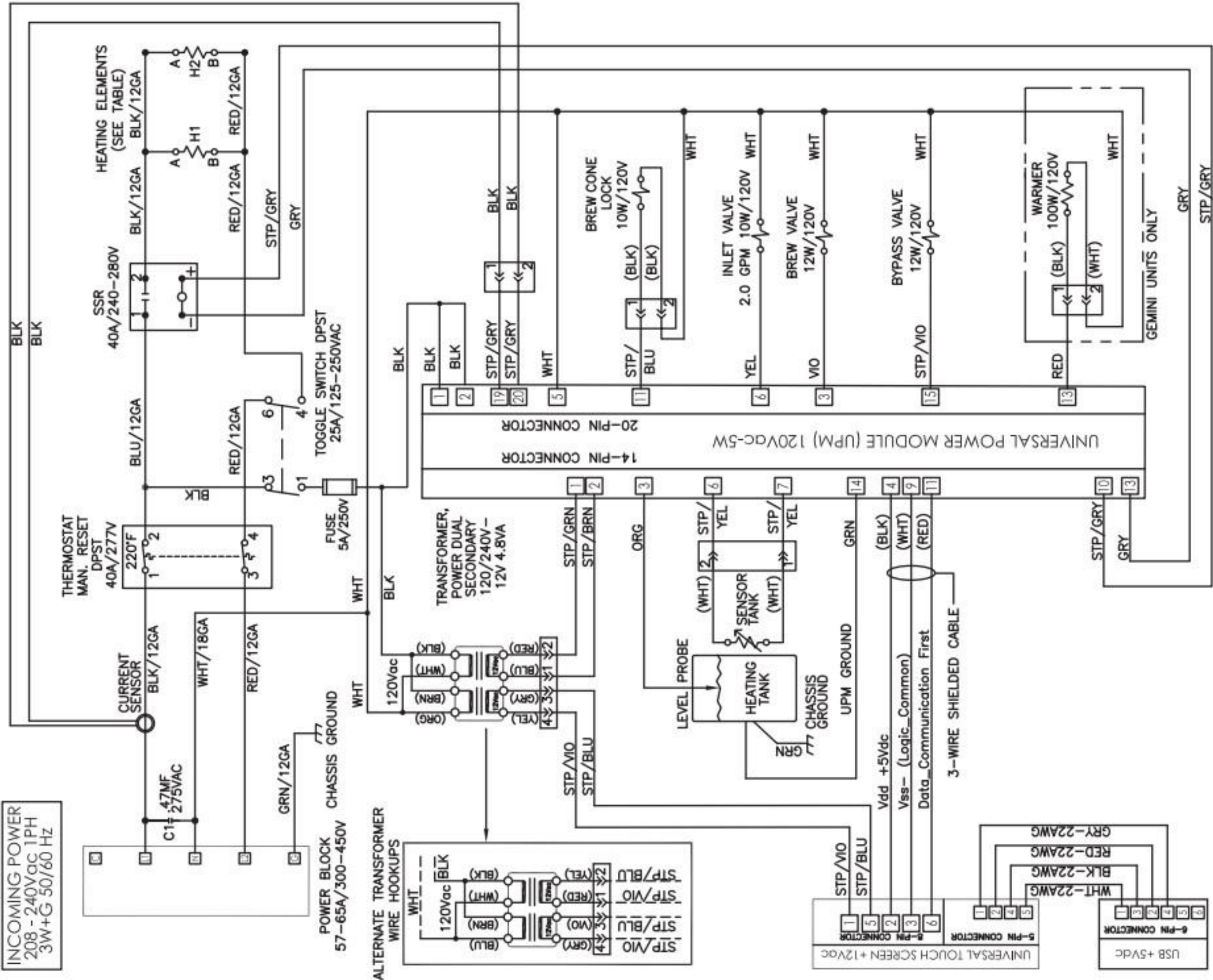
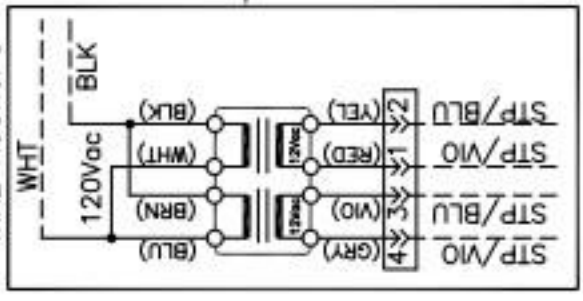
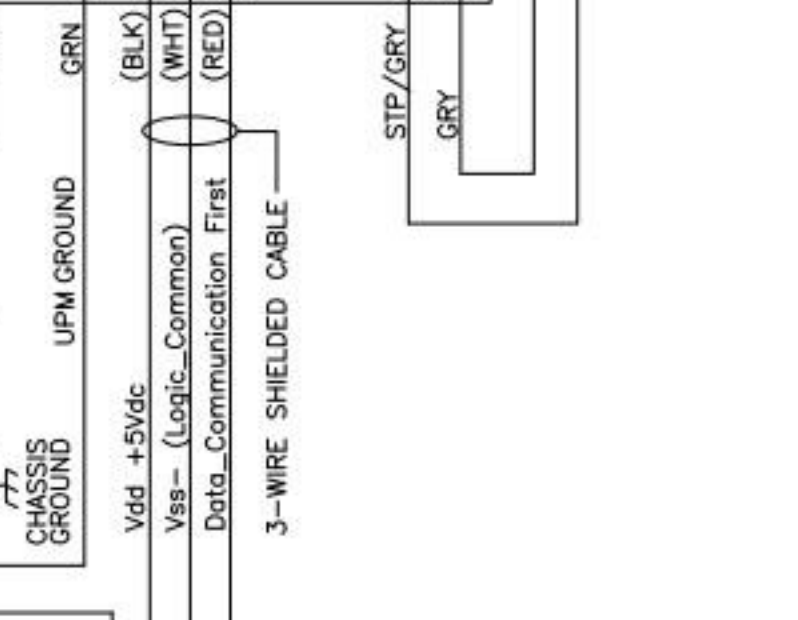
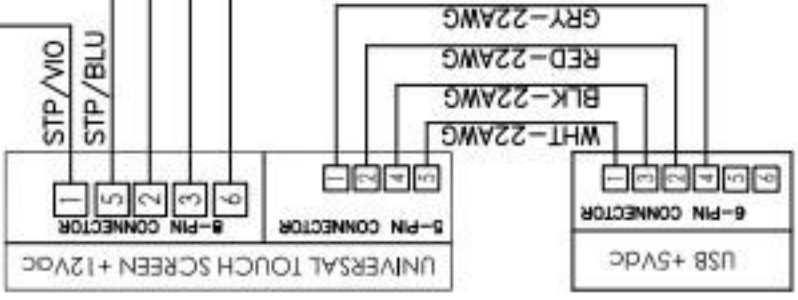
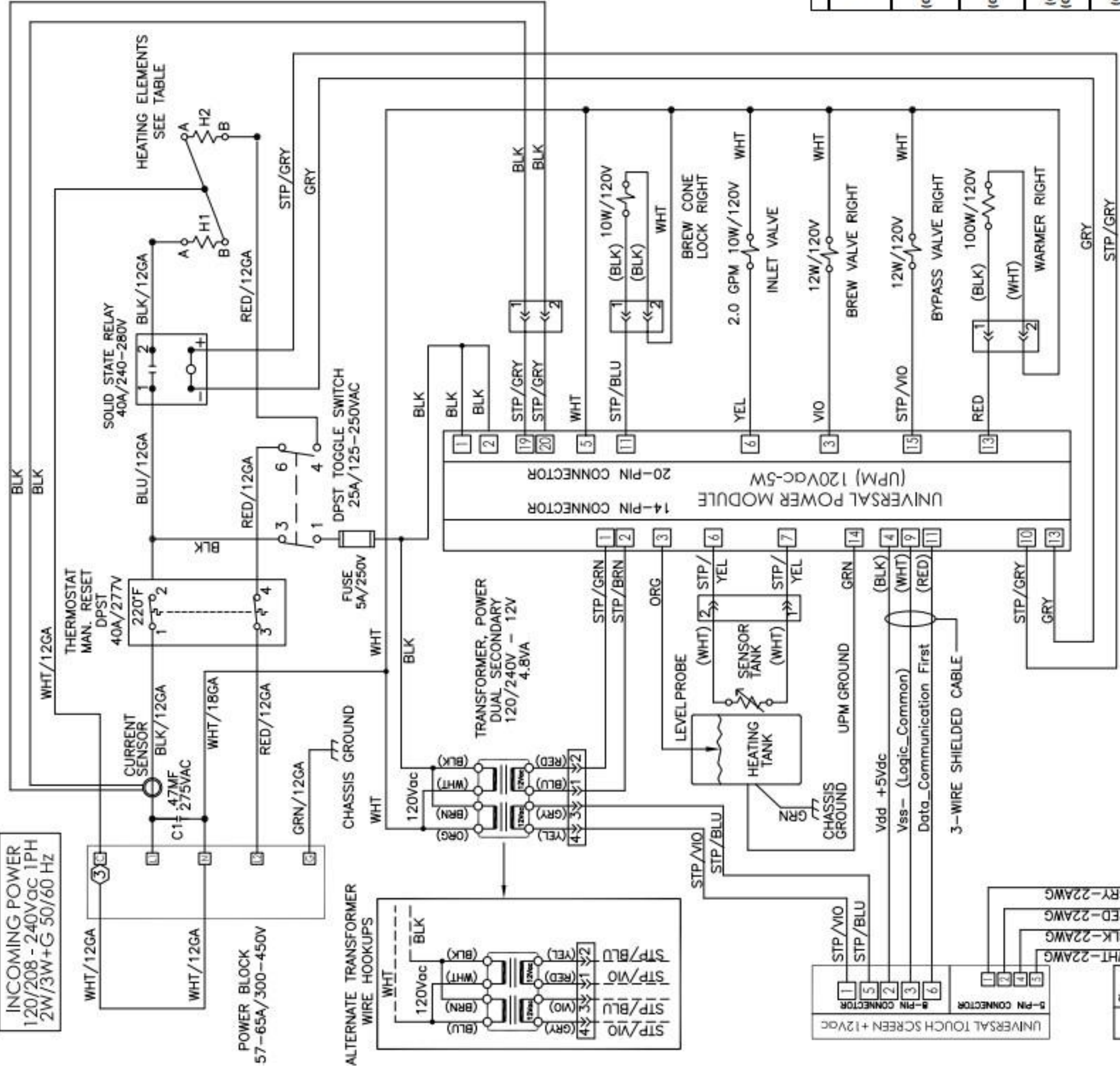


**INCOMING POWER**  
 208 - 240Vac 1PH  
 3W+G 50/60 Hz



**INCOMING POWER**  
 120/208 - 240V<sub>ac</sub> 1PH  
 2W/3W+G 50/60 Hz



SSR PIN ASSIGNMENTS

