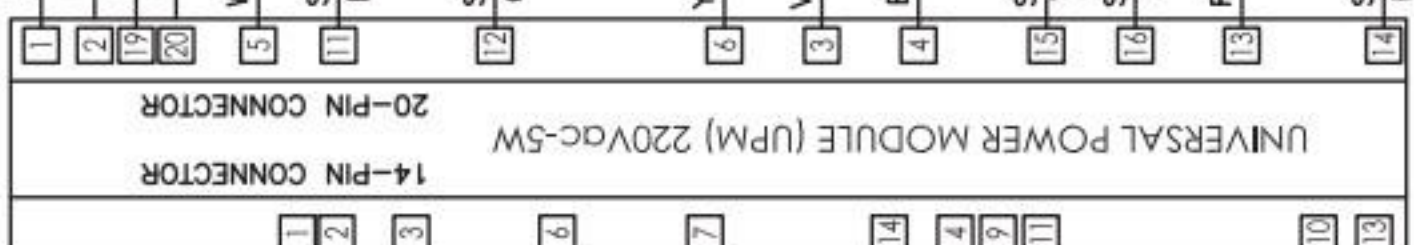
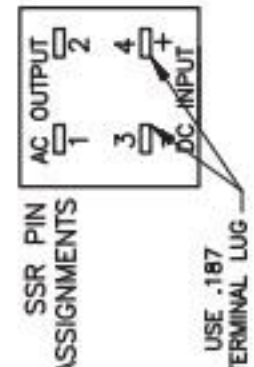
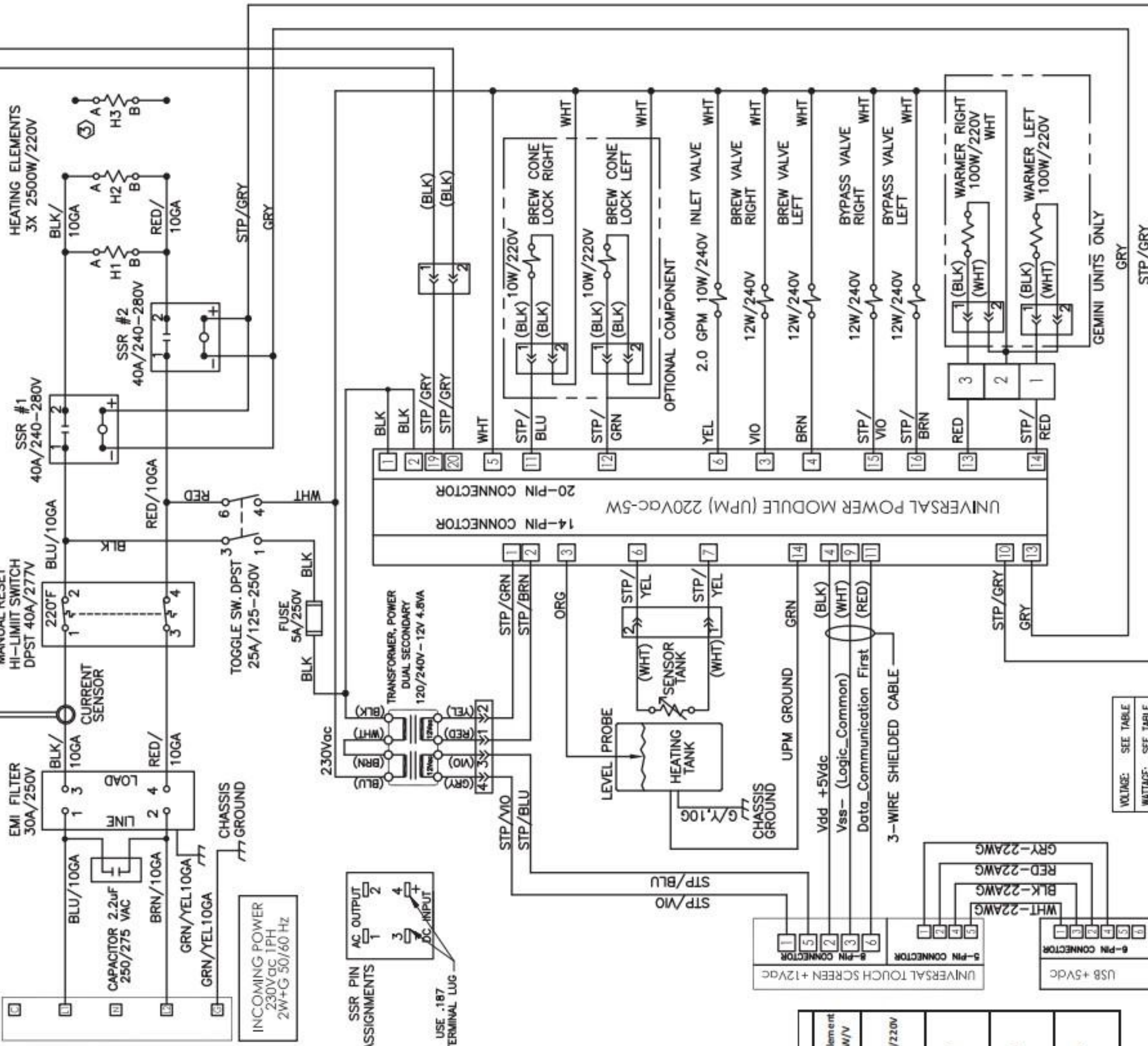
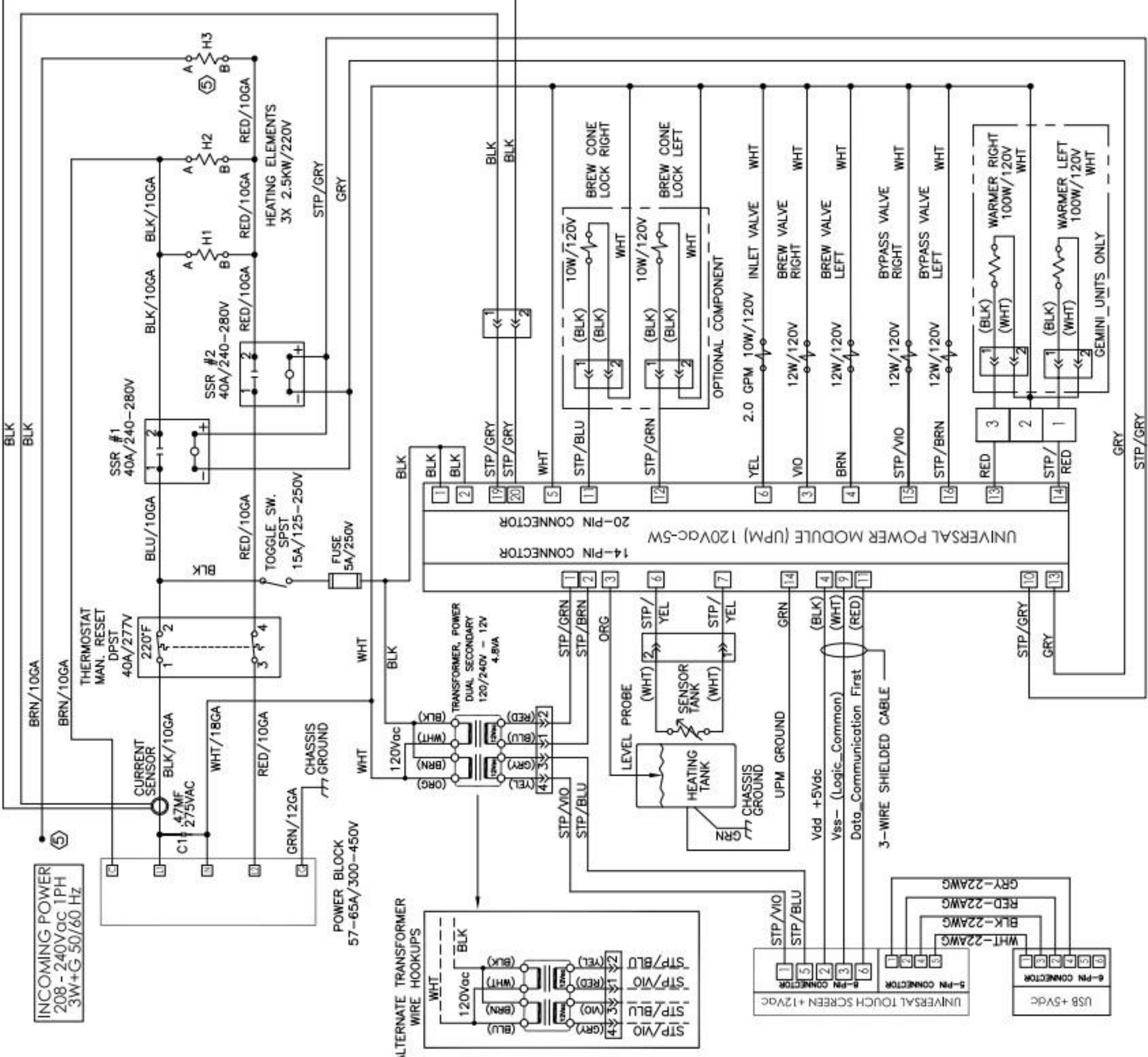


POWER BLOCK  
57-65A/300-450V

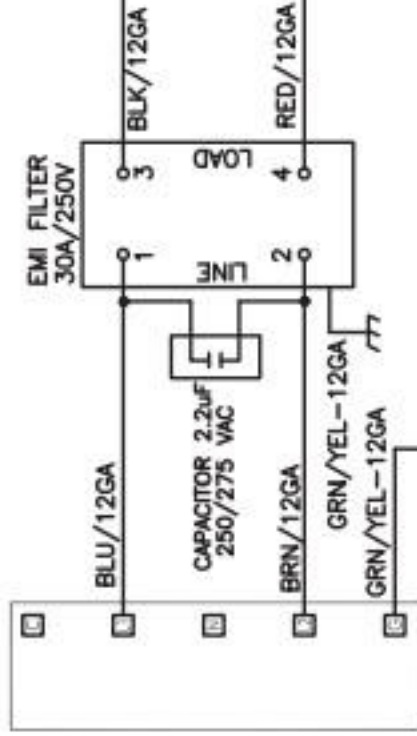


VOLTAGE:	SEE TABLE
WATTAGE:	SEE TABLE
AMPERAGE:	SEE TABLE

Heating Element	10W/220V
	-
	-
	-

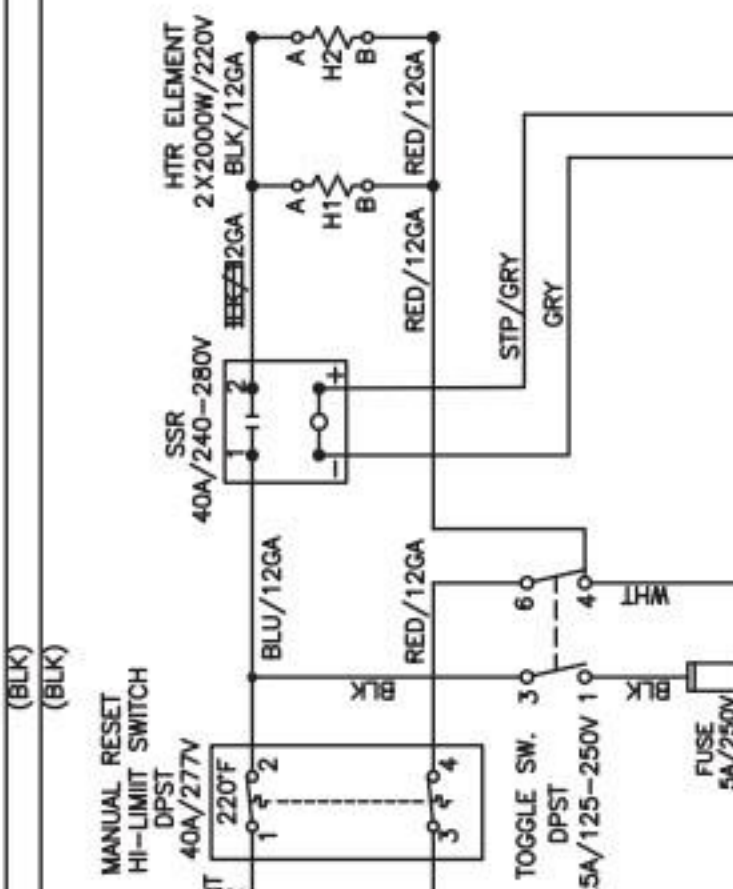
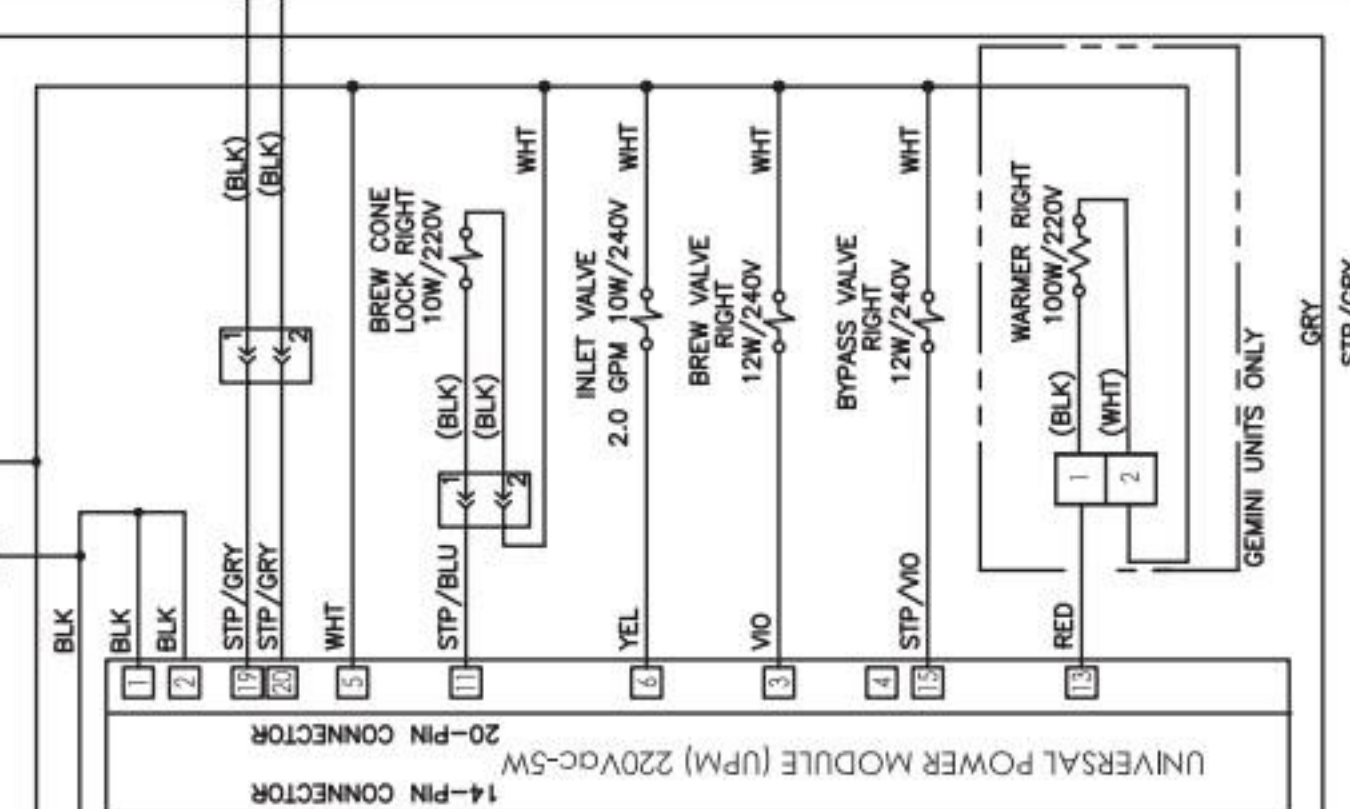
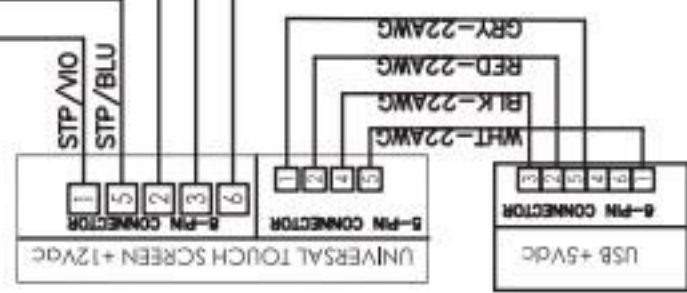
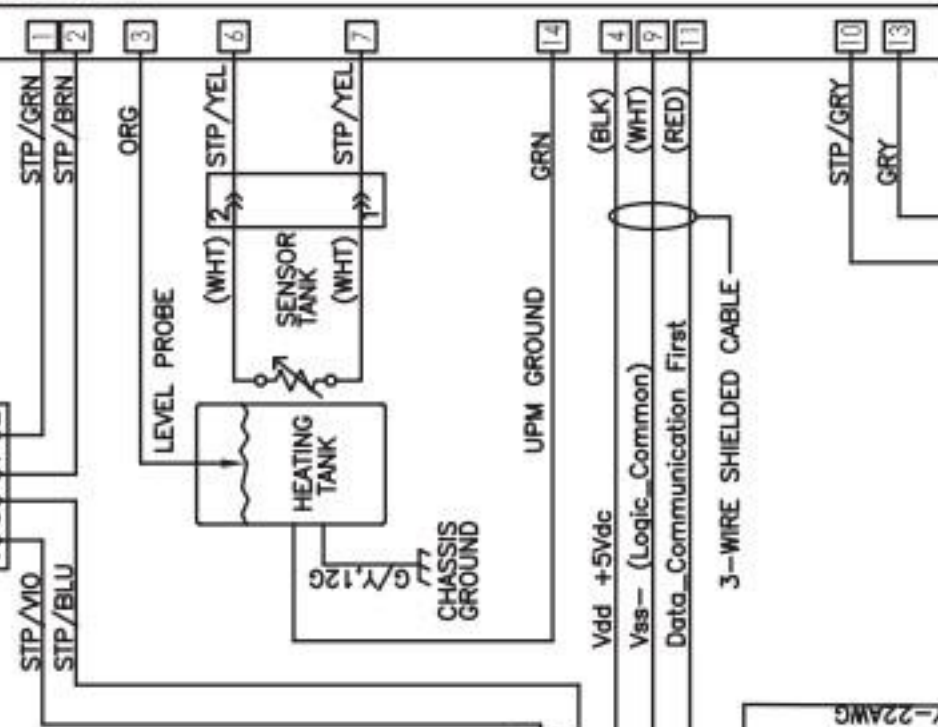
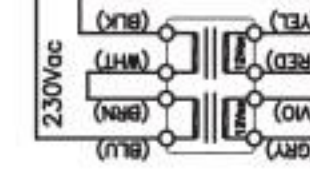


POWER BLOCK  
57-65A/300-450V

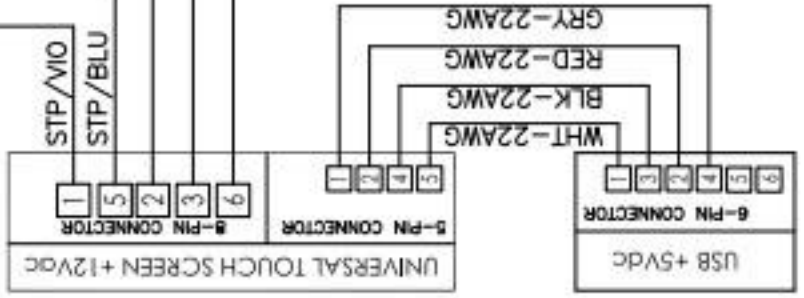
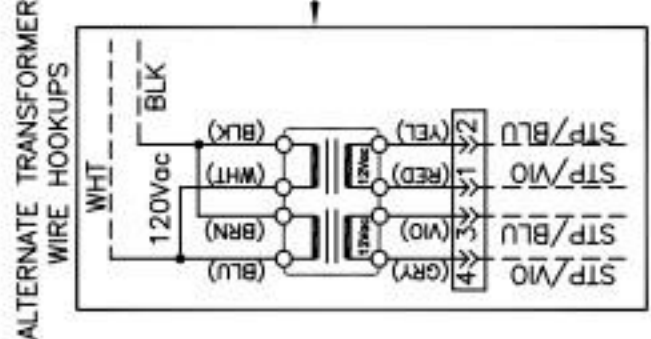
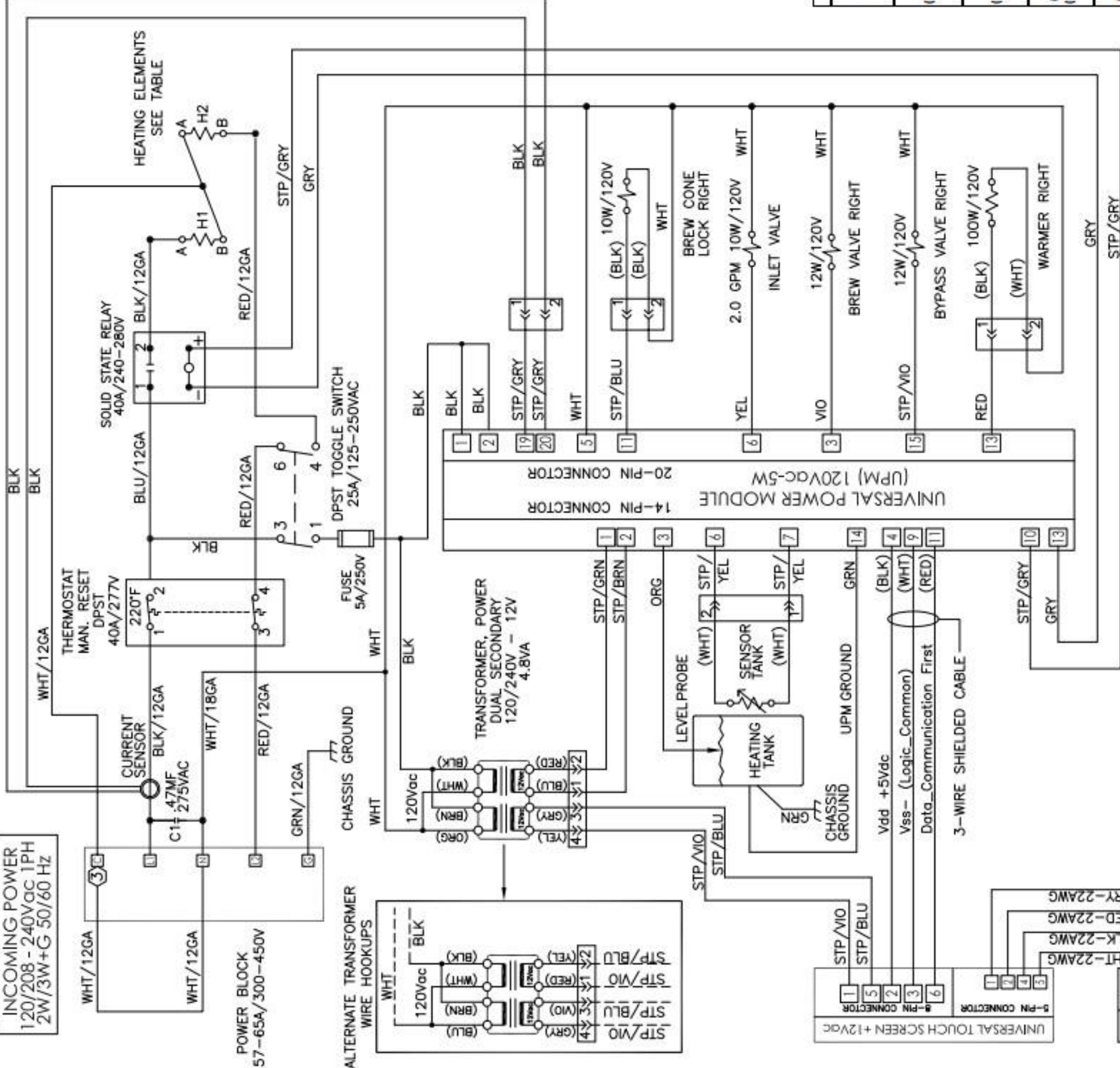


INCOMING POWER  
230V<sub>ac</sub> 1PH  
2W+G 50/60 Hz

TRANSFORMER, POWER  
DUAL SECONDARY  
120/240V - 12V  
4.8VA



**INCOMING POWER**  
 120/208 - 240V<sub>ac</sub> 1PH  
 2W/3W+G 50/60 Hz



SSR\_PIN\_ASSIGNMENTS



**INCOMING POWER**  
 208 - 240V<sub>ac</sub> 1PH  
 3W+G 50/60 Hz

