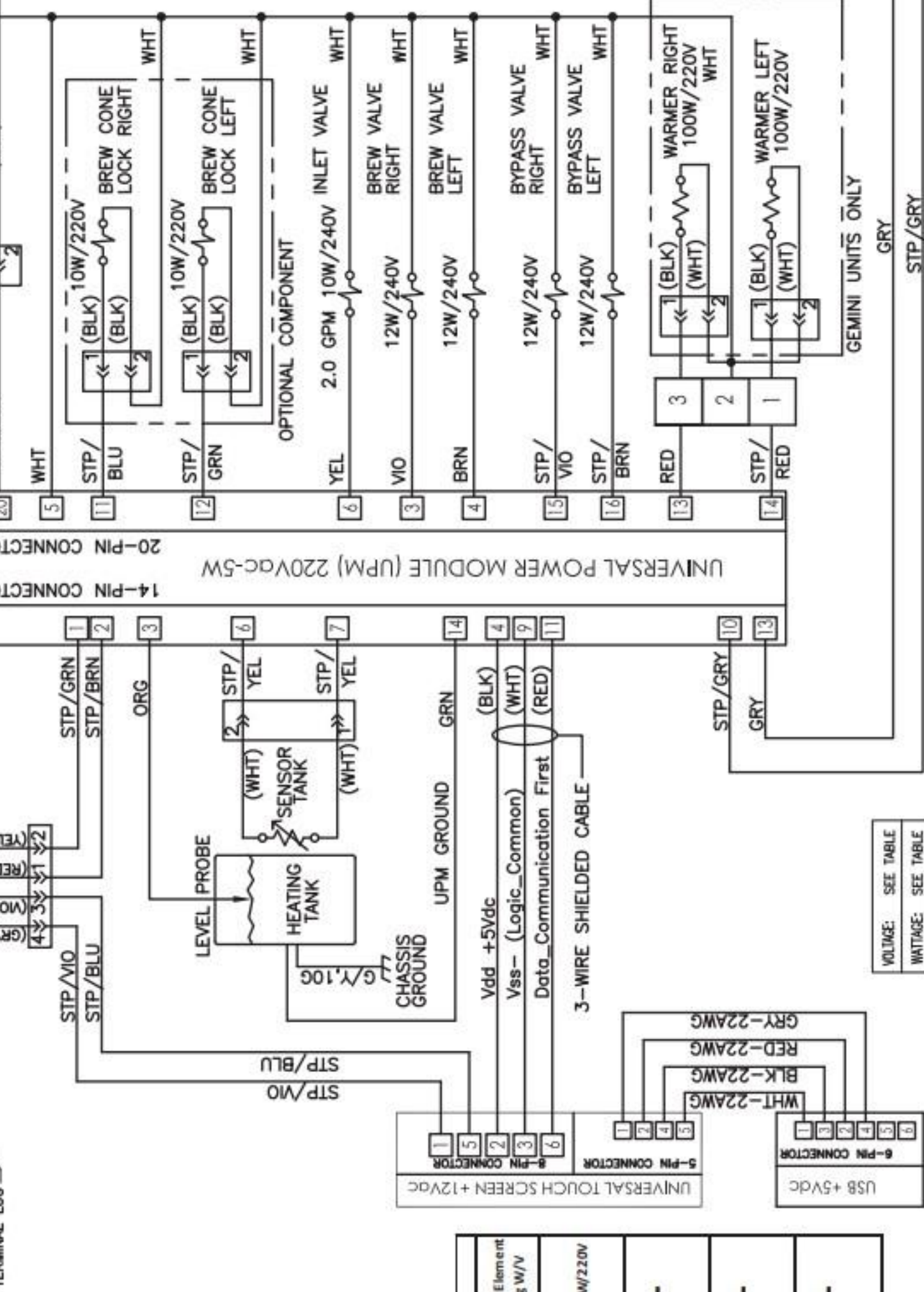
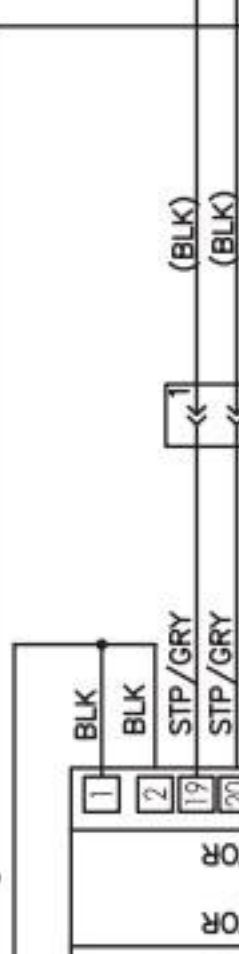
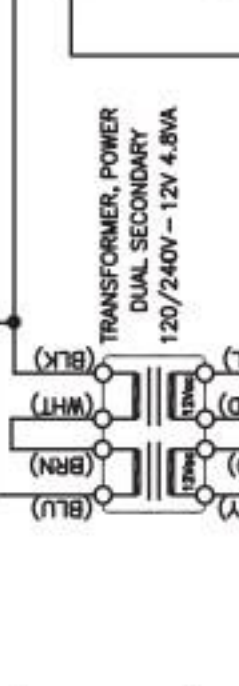
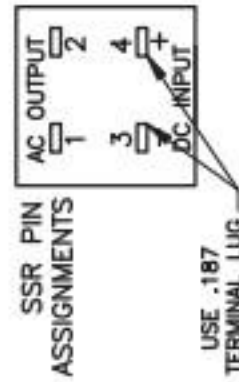
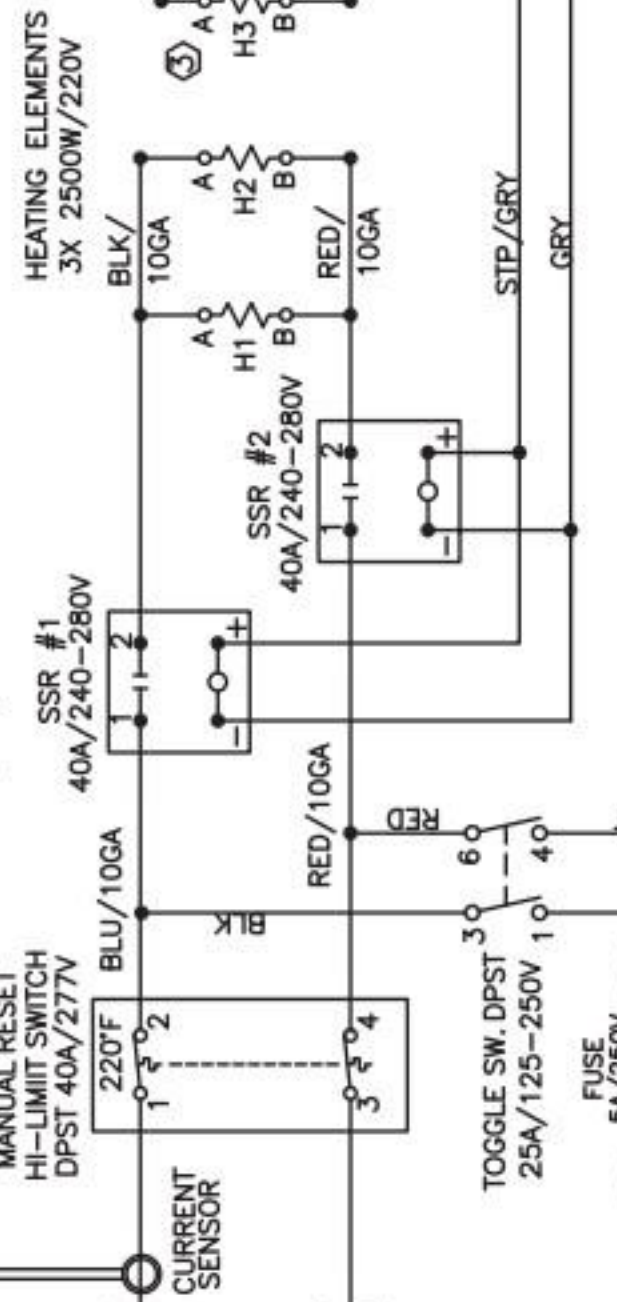
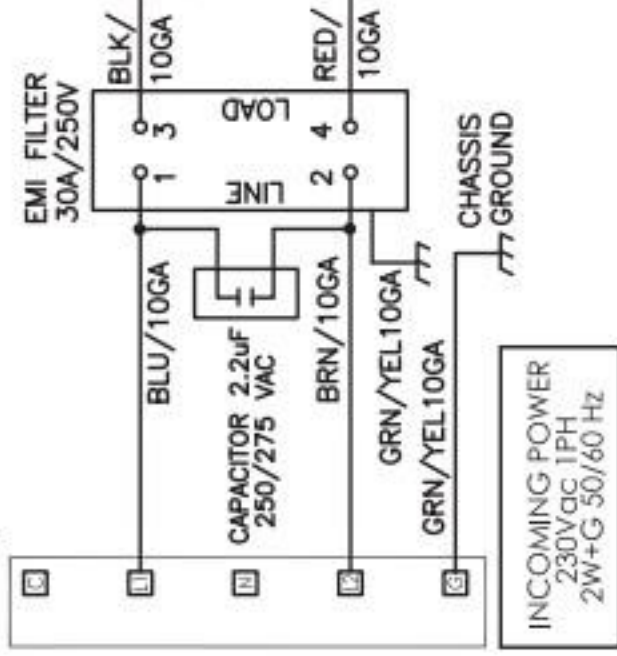
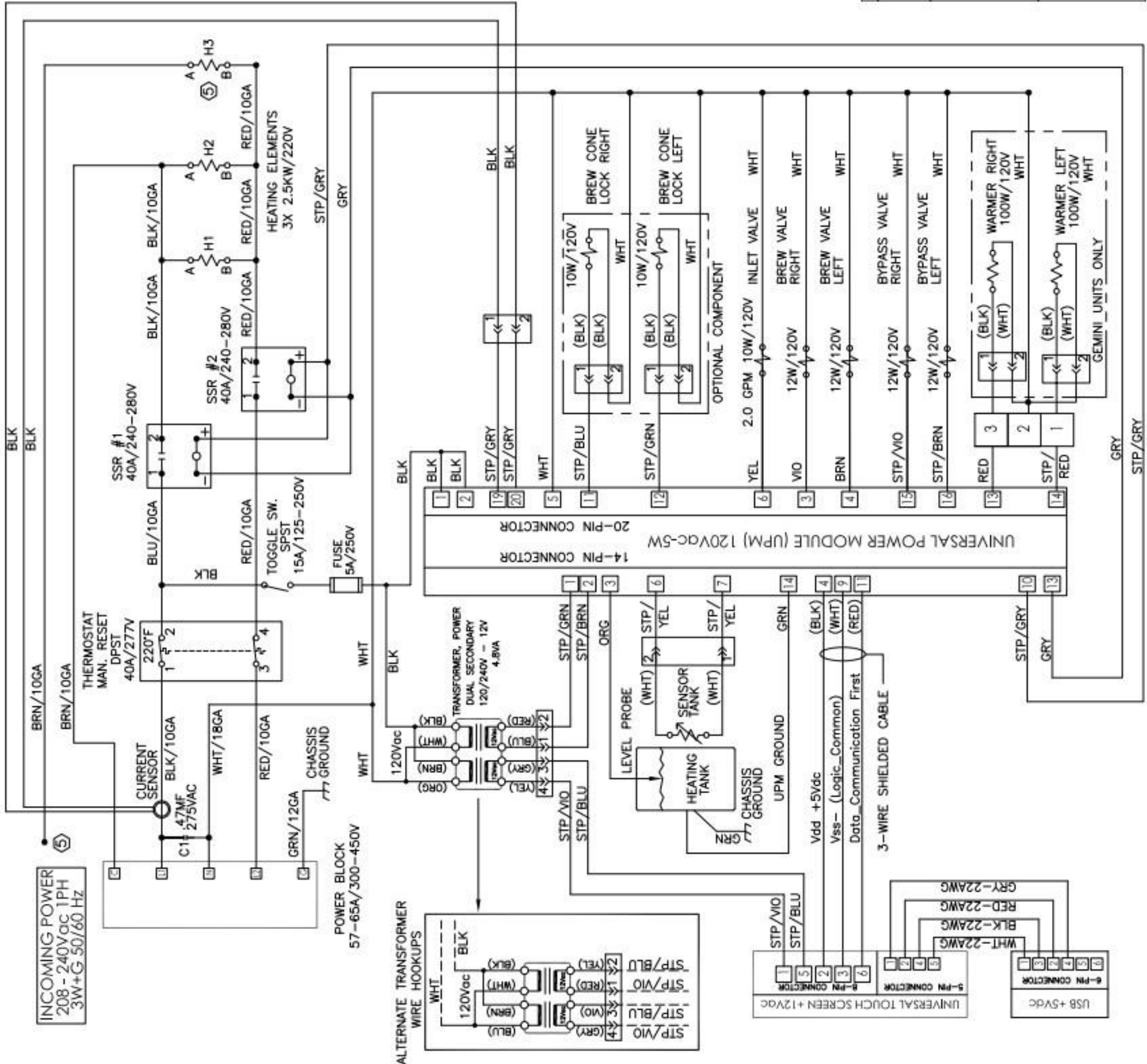


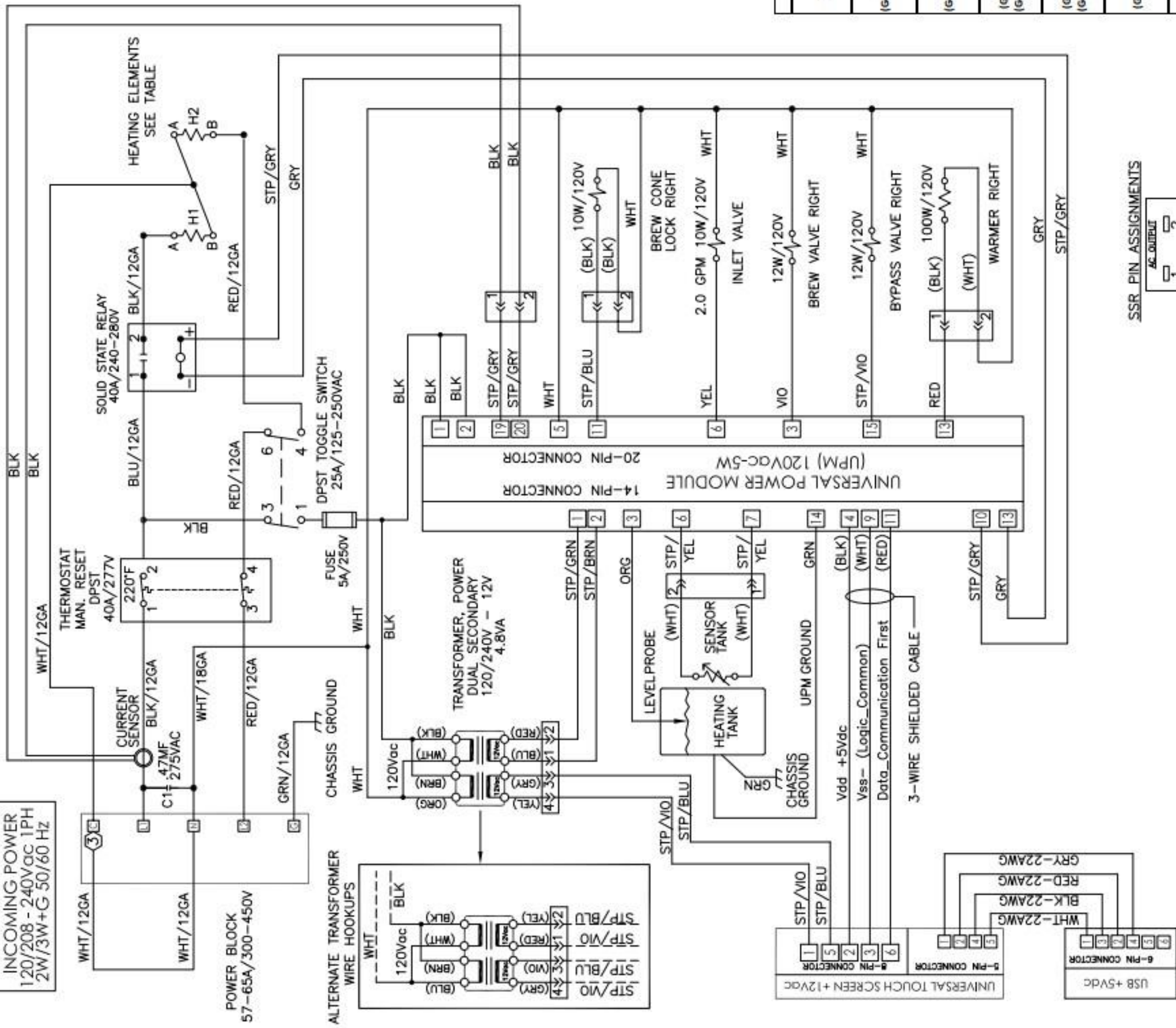
POWER BLOCK
57-65A/300-450V



VOLTAGE:	SEE TABLE
WATTAGE:	SEE TABLE
AMPERAGE:	SEE TABLE



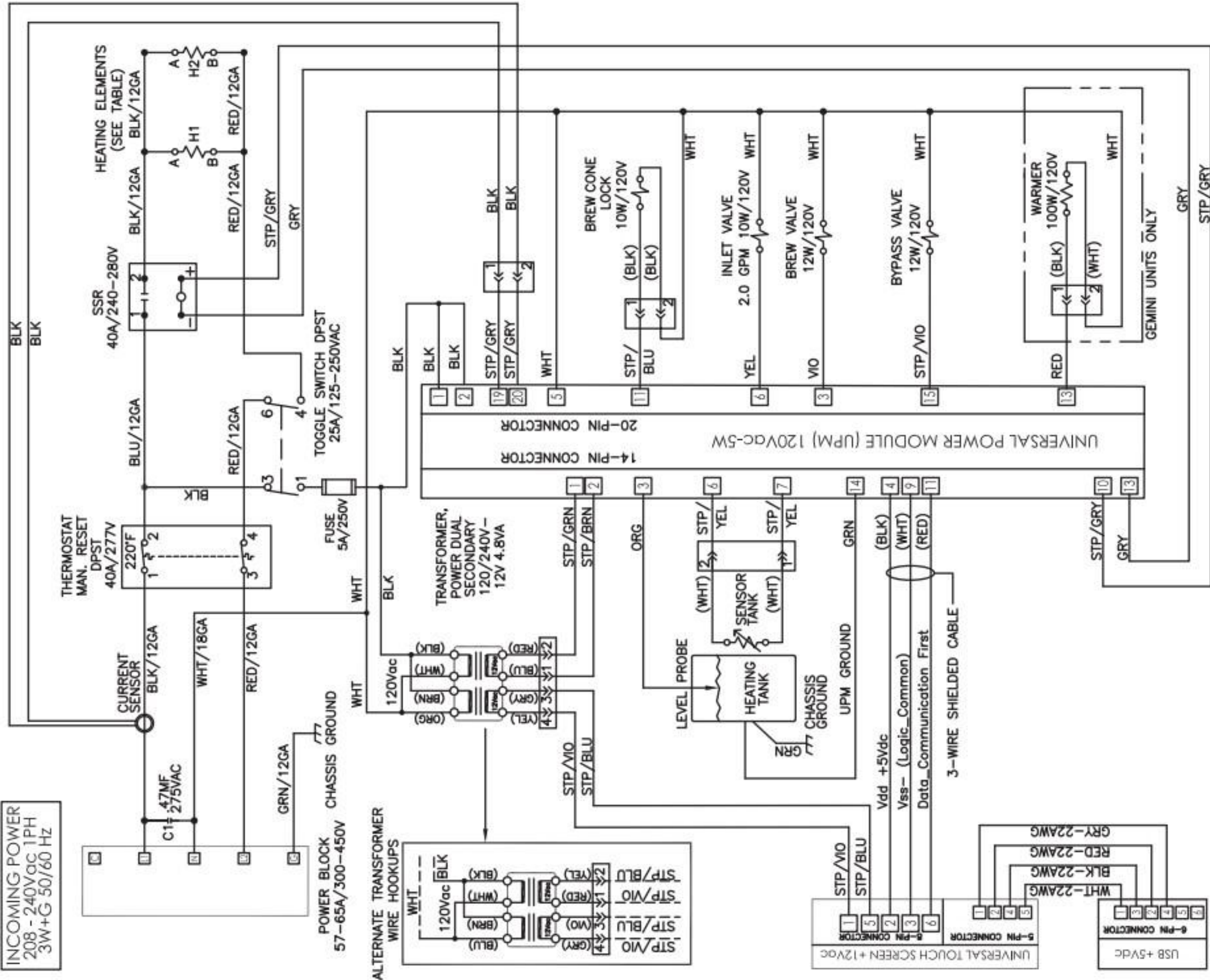
INCOMING POWER
 120/208 - 240V_{ac} 1PH
 2W/3W+G 50/60 HZ



SSR_PIN_ASSIGNMENTS

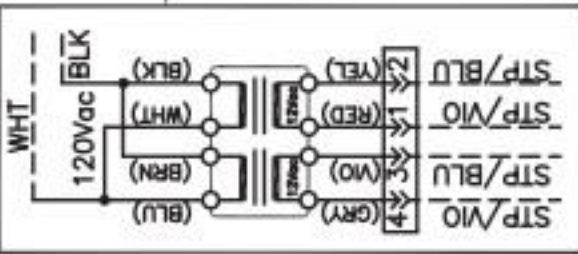


INCOMING POWER
 208 - 240V_{ac} 1PH
 3W+G 50/60 Hz



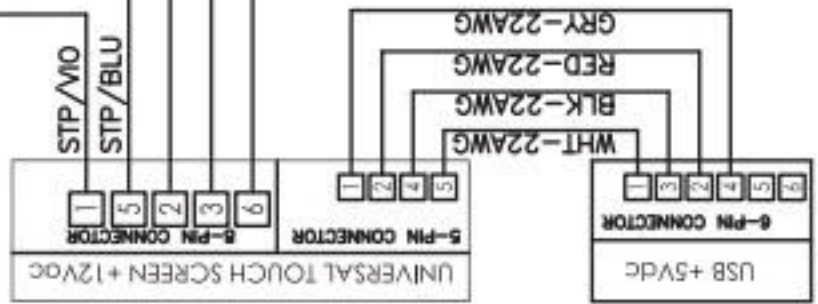
POWER BLOCK
 57-65A/300-450V
 CHASSIS GROUND

ALTERNATE TRANSFORMER
 WIRE HOOKUPS



TRANSFORMER, POWER DUAL SECONDARY
 120/240V - 12V 4.8VA

UNIVERSAL POWER MODULE (UPM) 120V_{ac}-5W



GEMINI UNITS ONLY

GRY
STP/GRY