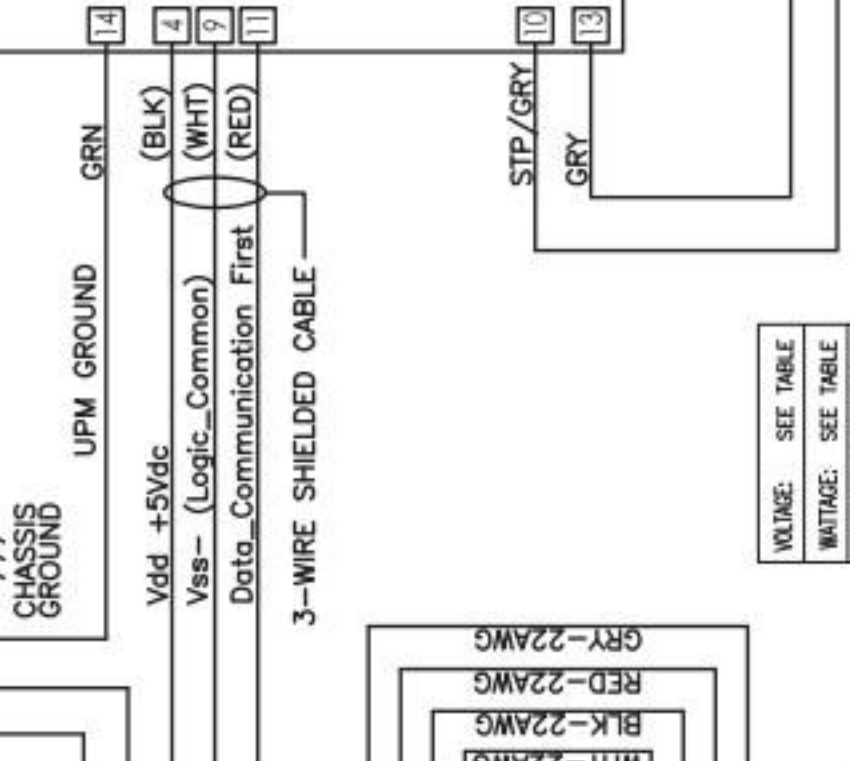
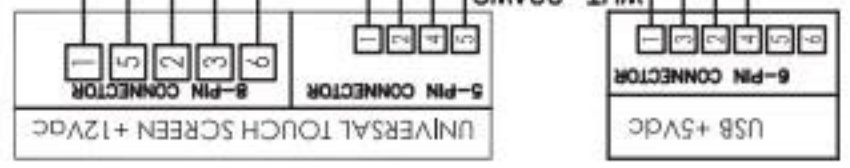
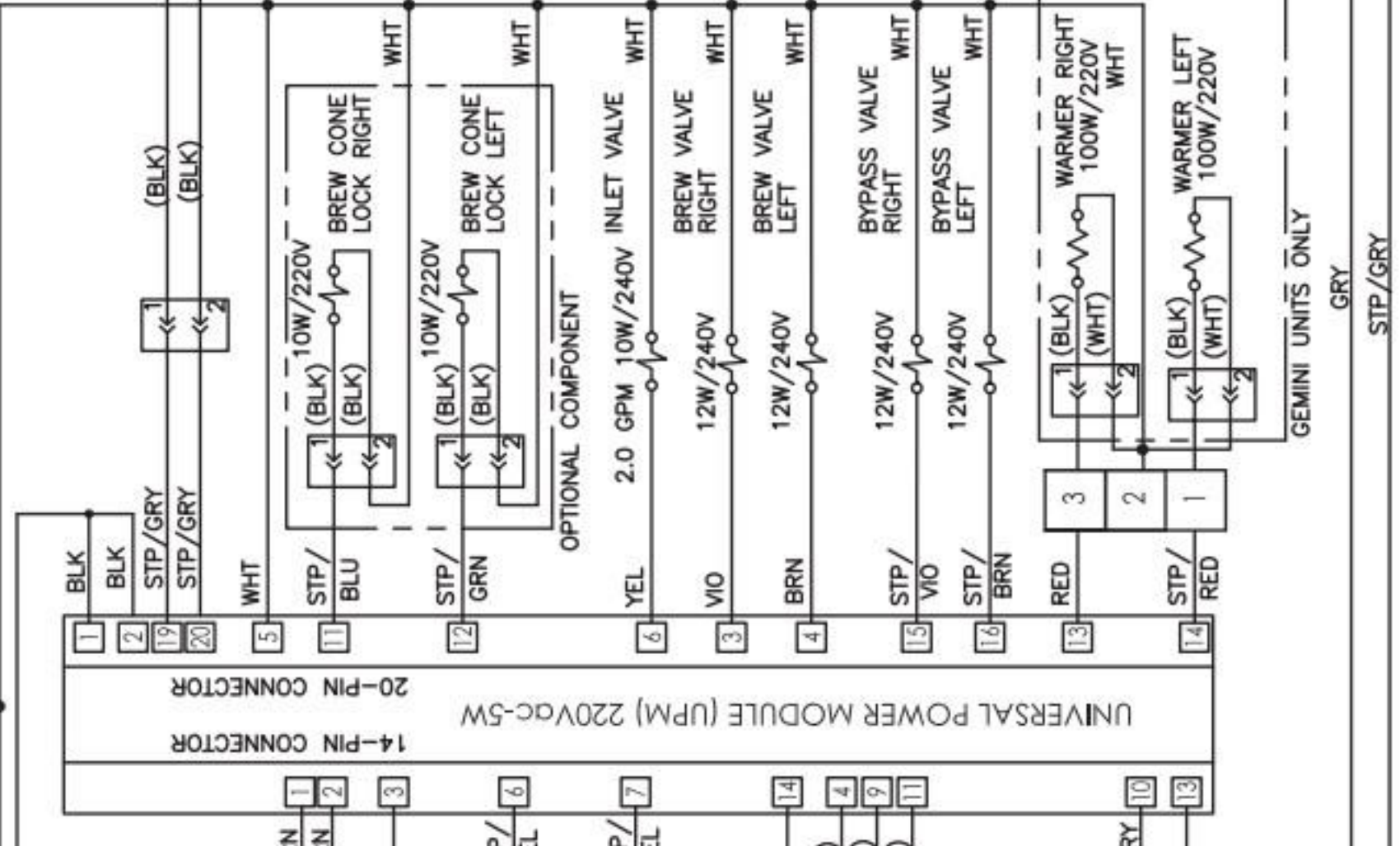
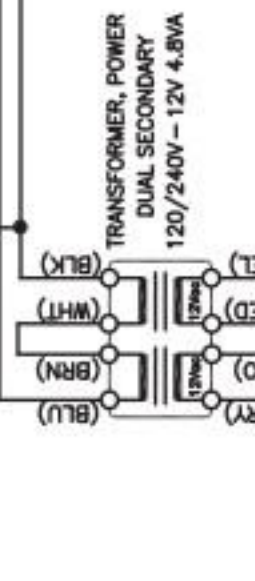
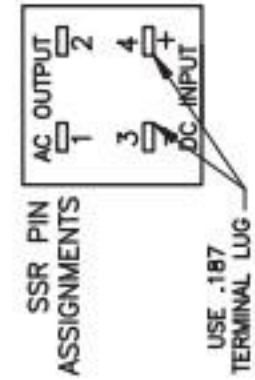
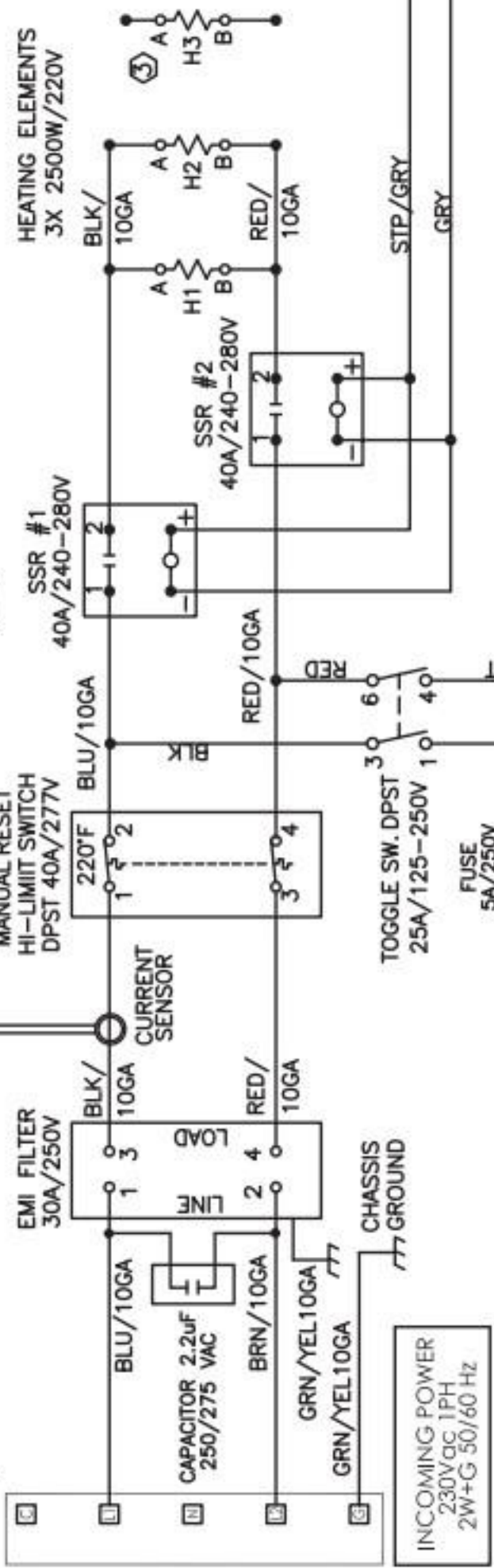


**POWER BLOCK**  
57-65A/300-450V



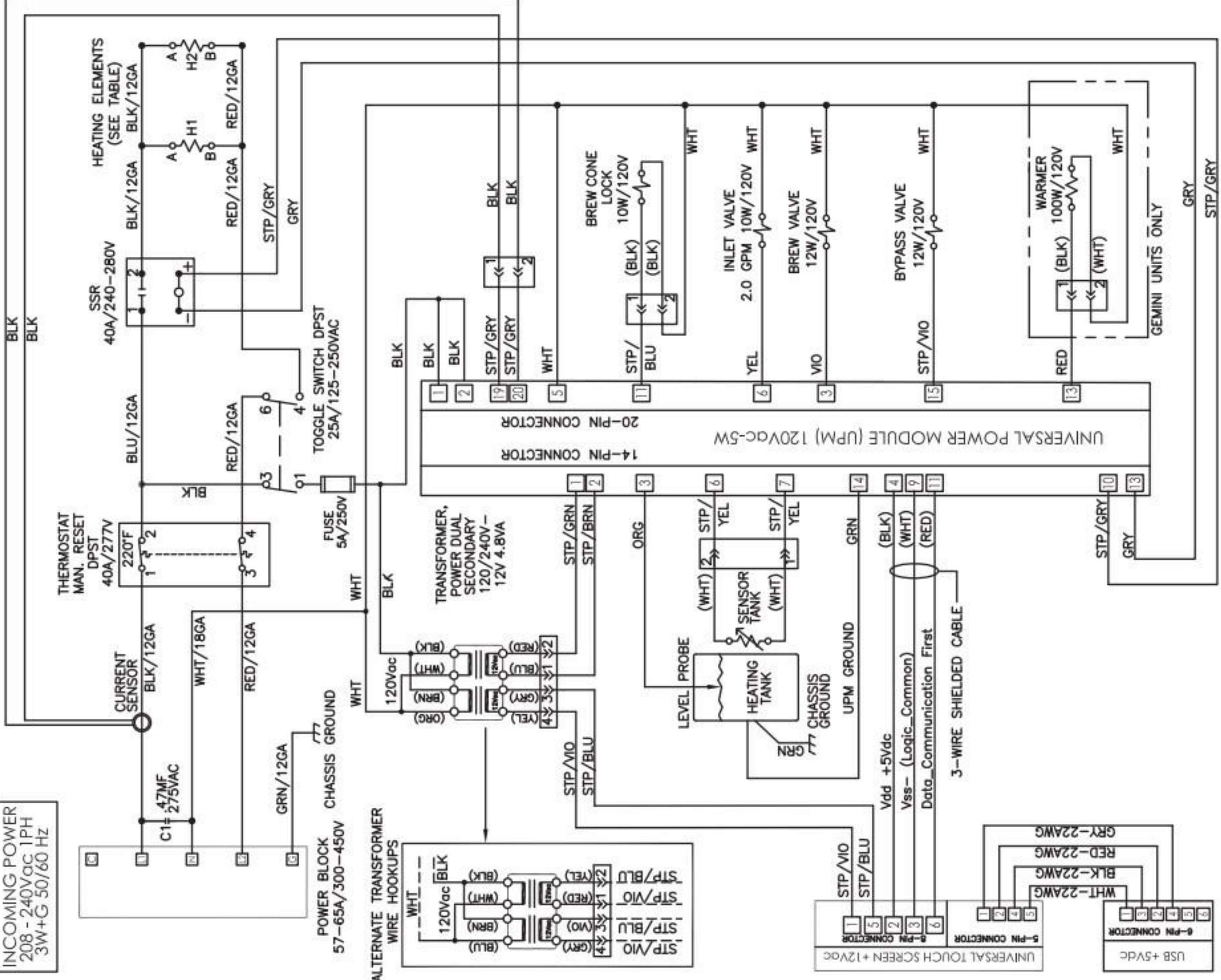
VOLTAGE:	SEE TABLE
WATTAGE:	SEE TABLE
AMPERAGE:	SEE TABLE







**INCOMING POWER**  
 208 - 240Vac 1PH  
 3W+G 50/60 HZ



**POWER BLOCK**  
 57-65A/300-450V  
 CHASSIS GROUND

**ALTERNATE TRANSFORMER**  
 WIRE HOOKUPS

**TRANSFORMER, POWER DUAL SECONDARY**  
 120/240V - 12V 4.8VA

**UNIVERSAL POWER MODULE (UPM) 120Vdc-5W**

**UNIVERSAL TOUCH SCREEN + 12Vdc**  
 8-PIN CONNECTOR

**5-PIN CONNECTOR**  
 WHT-22AWG  
 BLK-22AWG  
 RED-22AWG  
 GRY-22AWG

**USB +5Vdc**  
 6-PIN CONNECTOR

**GEMINI UNITS ONLY**

**GRY**  
**STP/GRY**