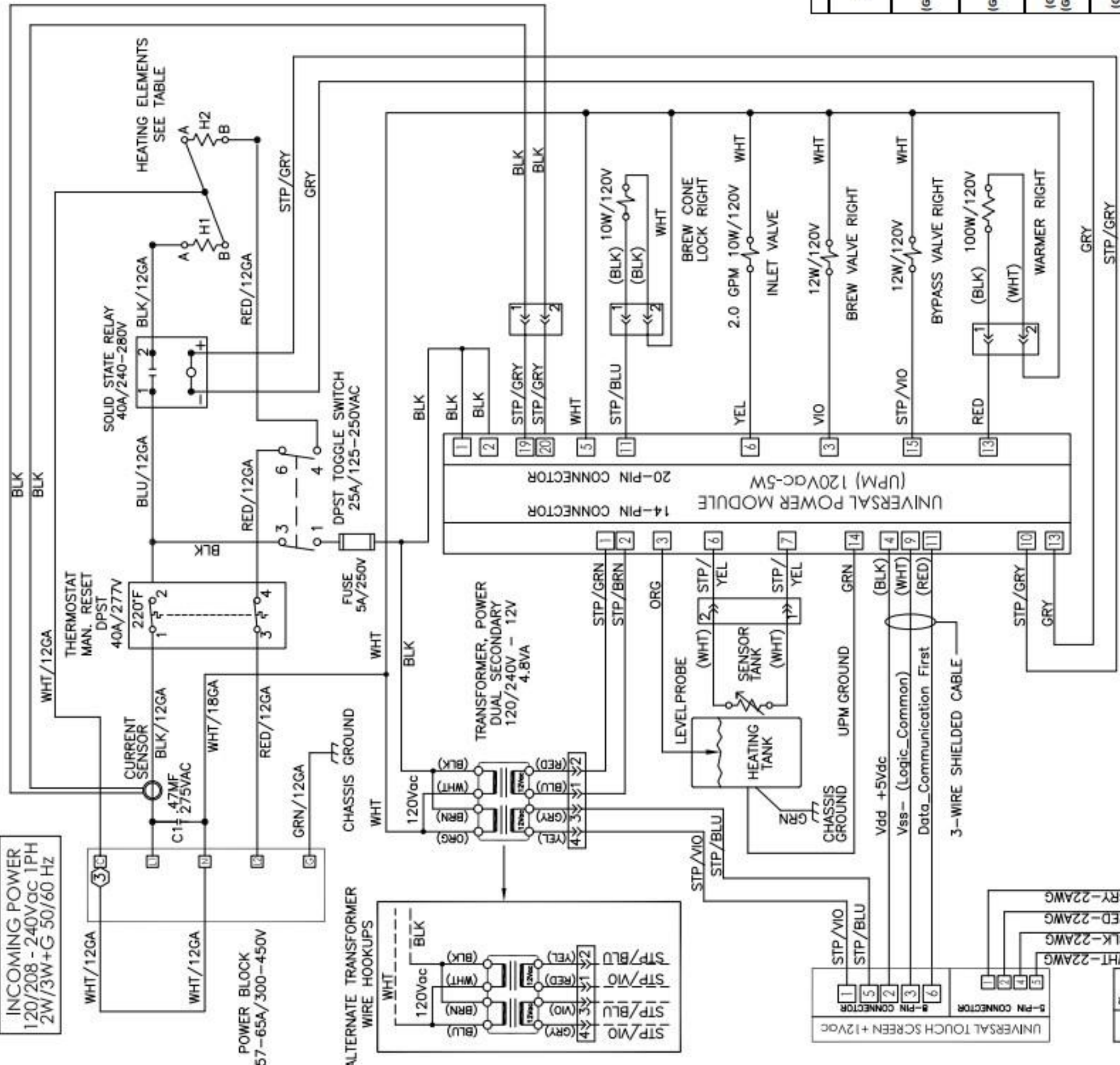
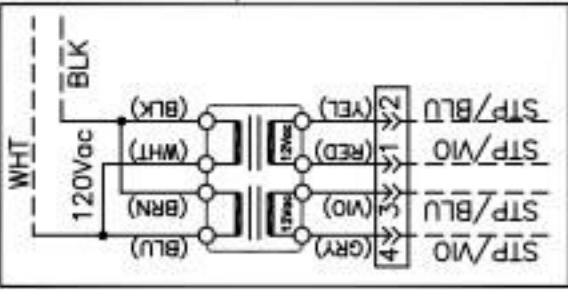


INCOMING POWER
 120/208 - 240V_{ac} 1PH
 2W/3W+G 50/60 HZ



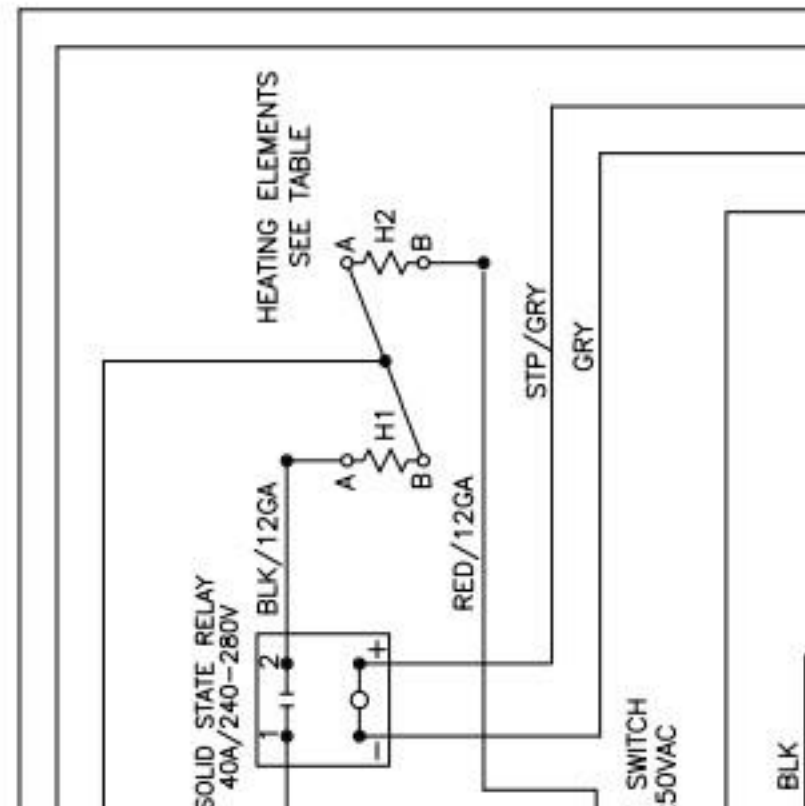
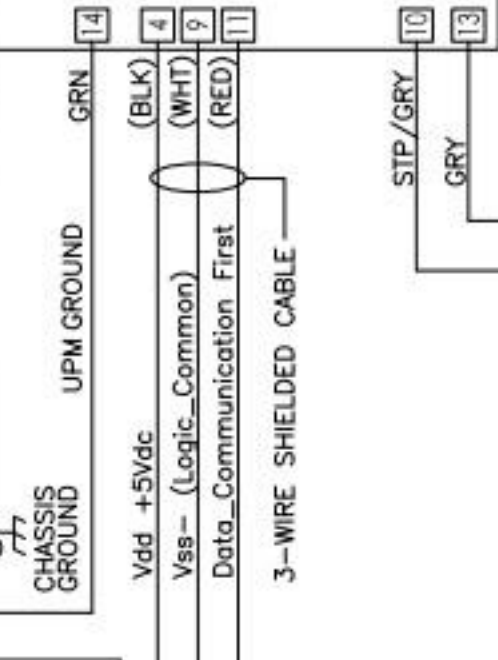
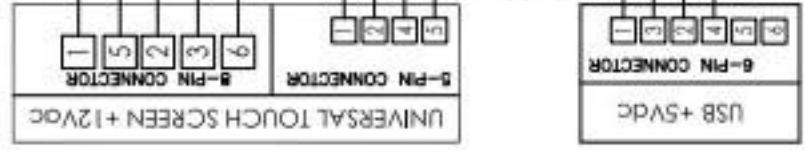
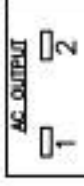
POWER BLOCK
 57-65A/300-450V

ALTERNATE TRANSFORMER WIRE HOOKUPS

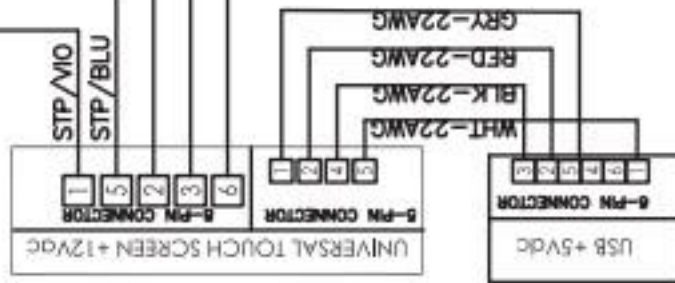
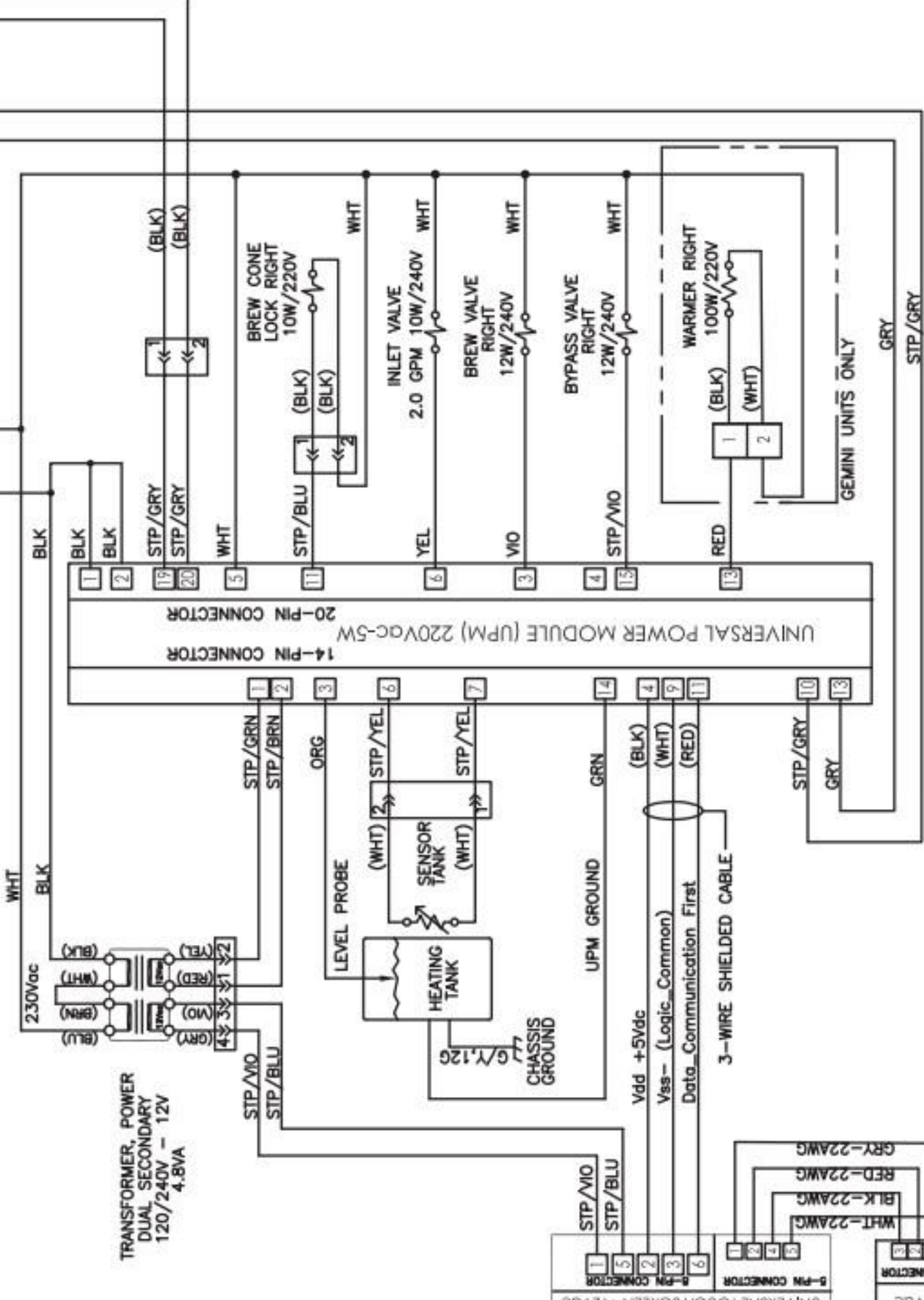
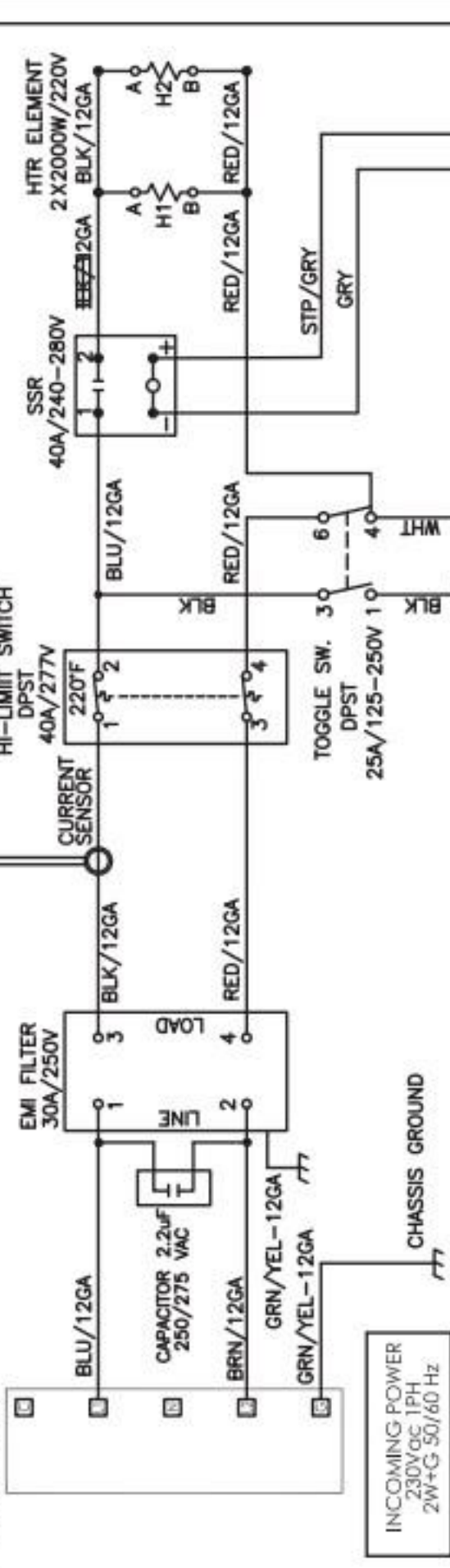


TRANSFORMER, POWER DUAL SECONDARY
 120/240V - 12V
 4.8VA

SSR PIN ASSIGNMENTS

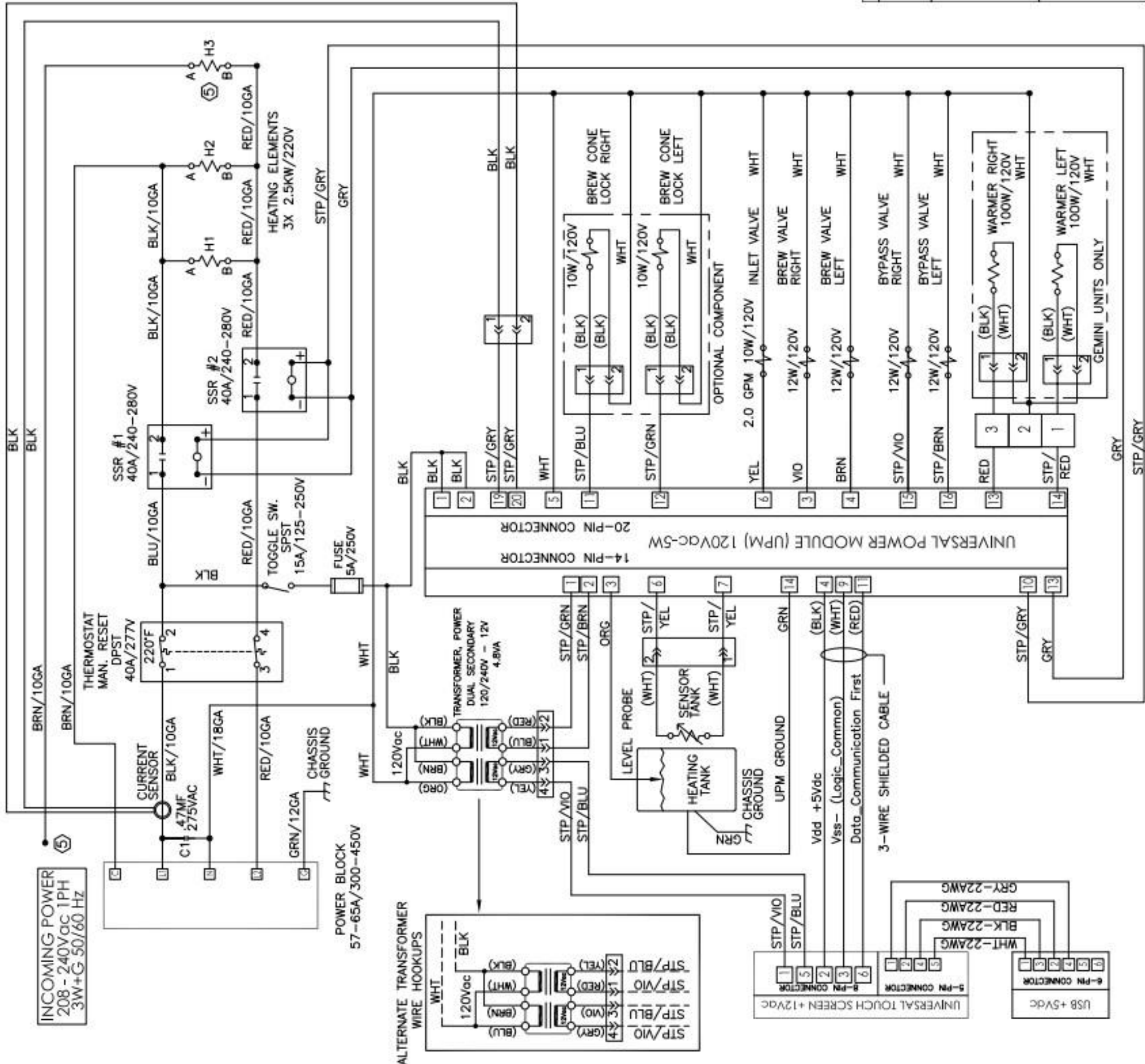


POWER BLOCK
57-65A/300-450V

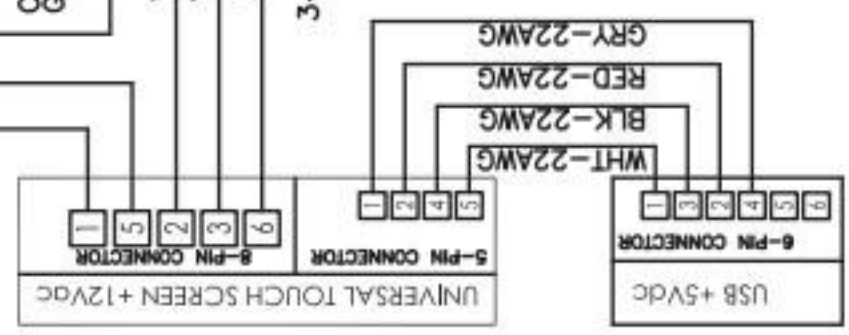
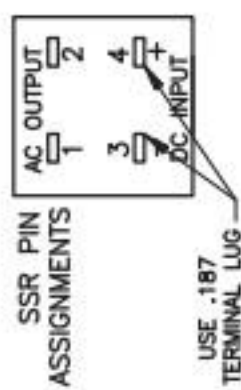
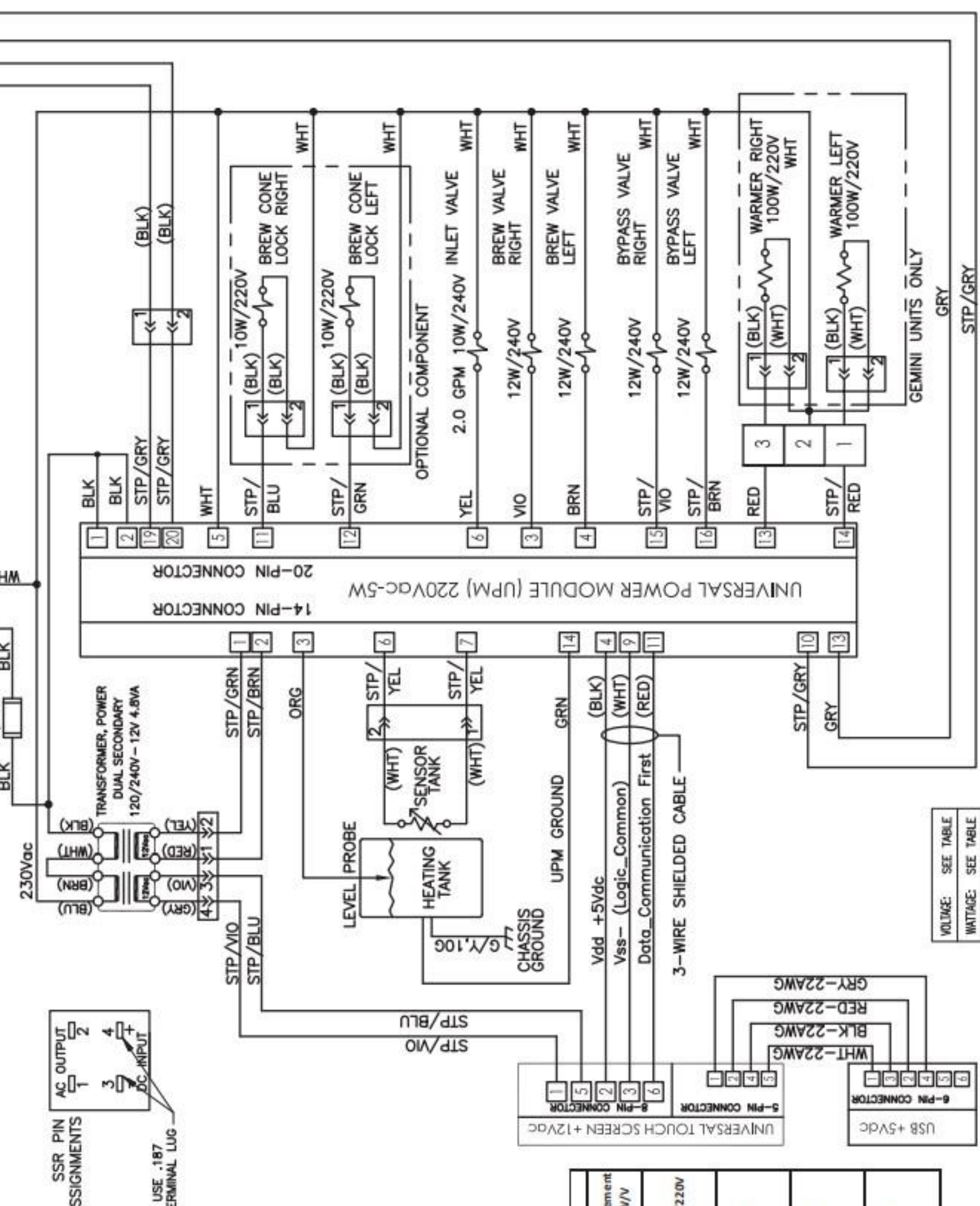
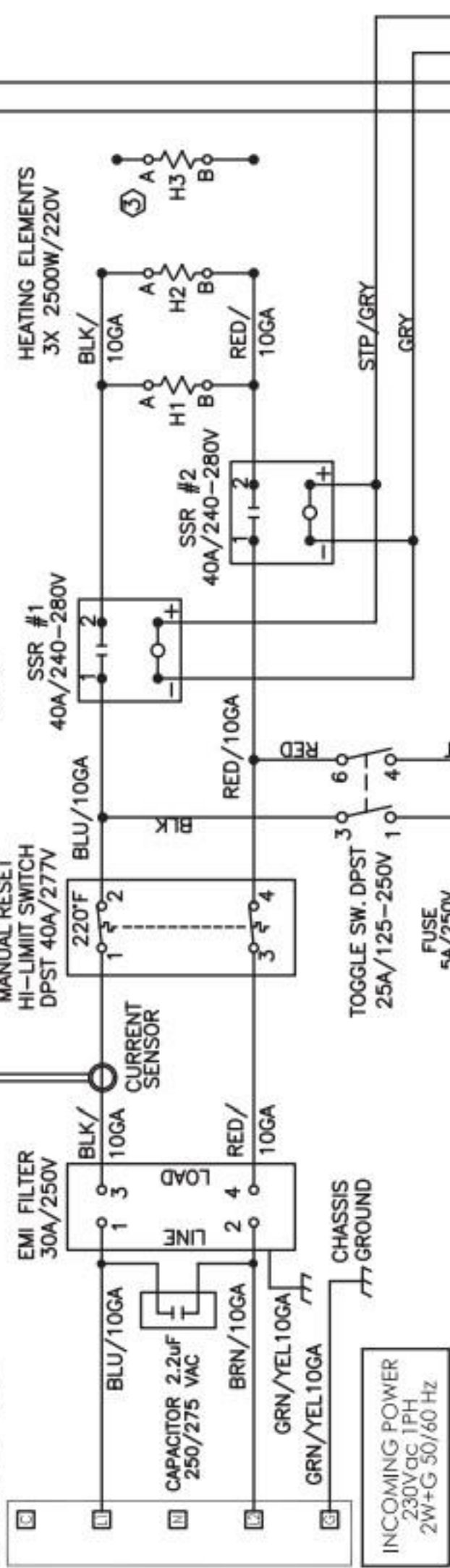


GEMINI UNITS ONLY

STP/GRY



POWER BLOCK
57-65A/300-450V



VOLTAGE:	SEE TABLE
WATTAGE:	SEE TABLE
AMPERAGE:	SEE TABLE