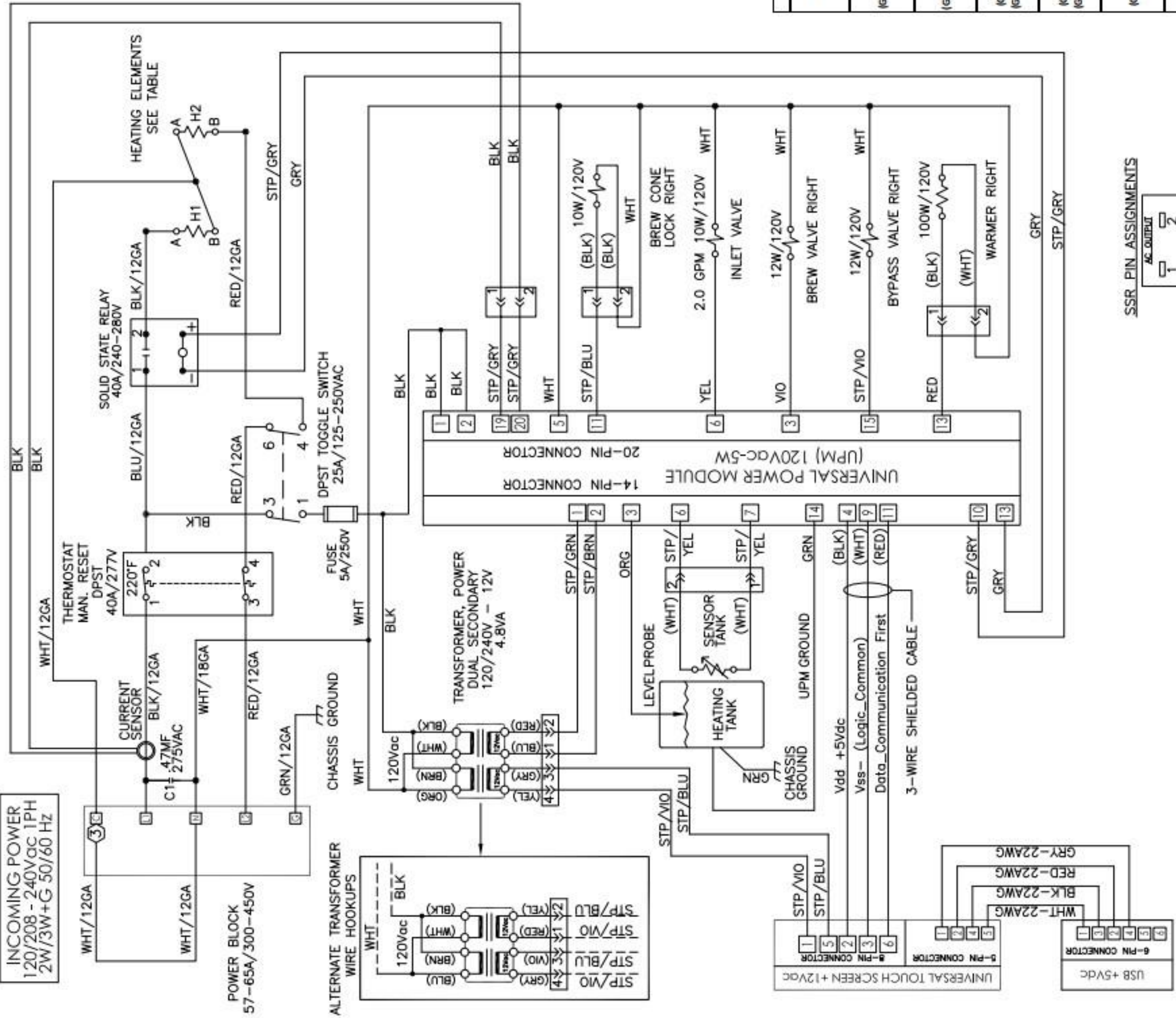


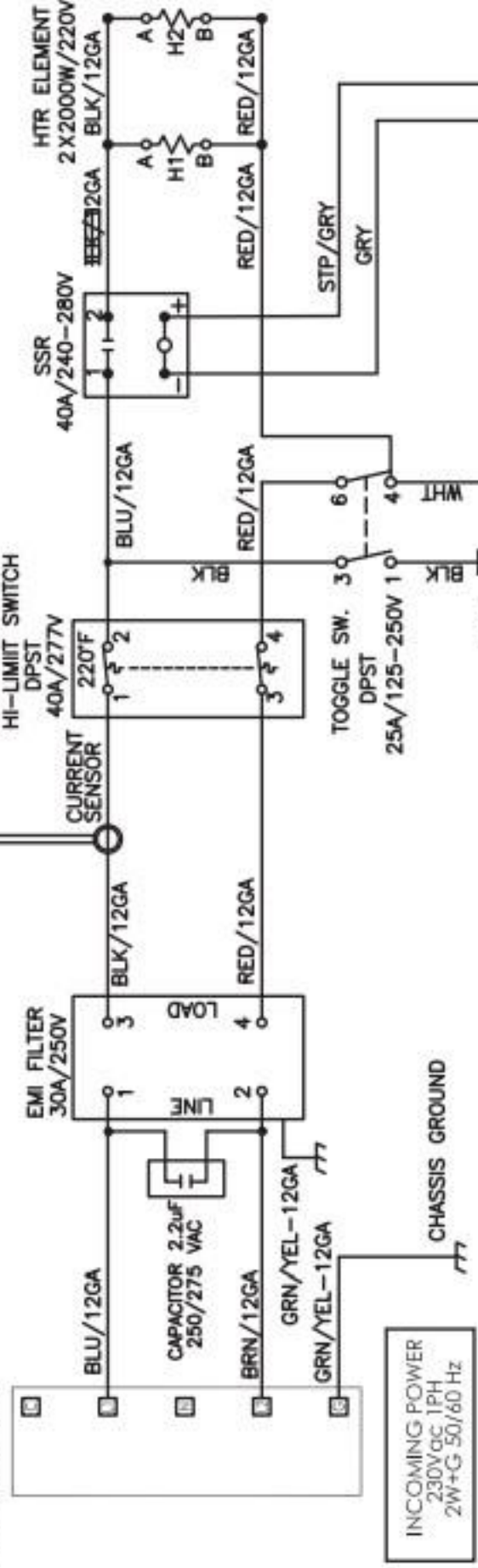
INCOMING POWER
 120/208 - 240V_{ac} 1PH
 2W/3W+G 50/60 Hz



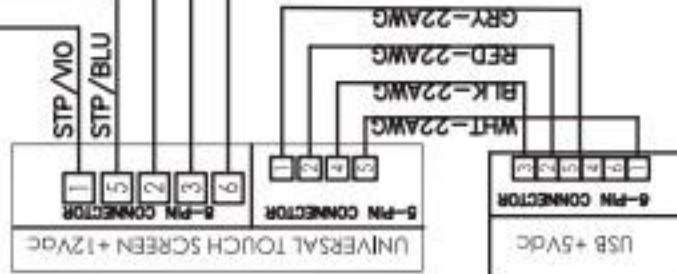
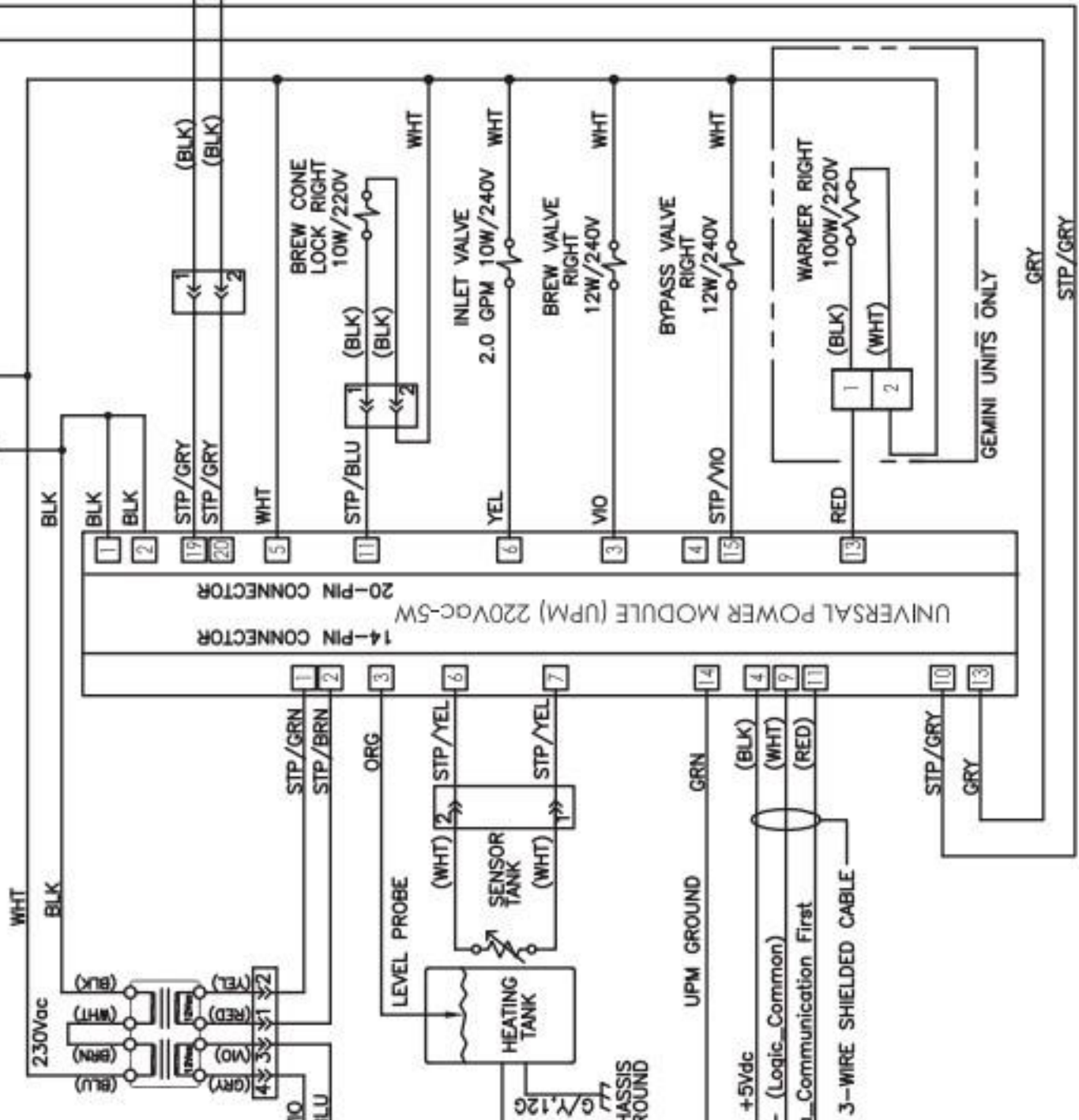
SSR PIN ASSIGNMENTS



POWER BLOCK
57-65A/300-450V

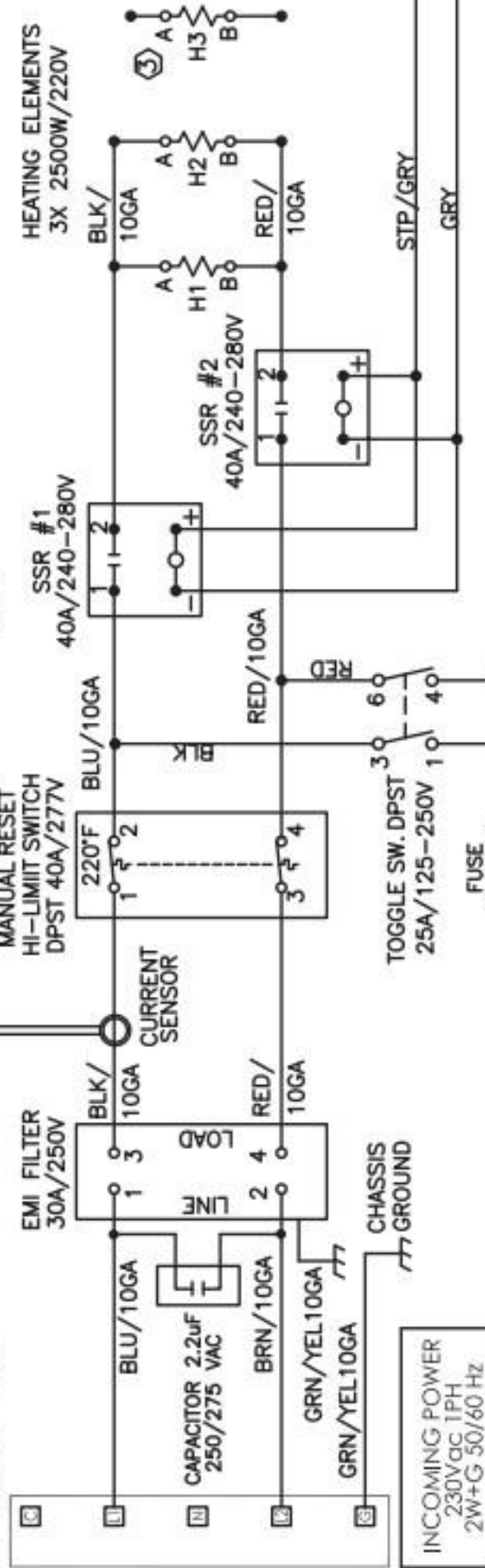


TRANSFORMER, POWER
DUAL SECONDARY
120/240V - 12V
4.8VA

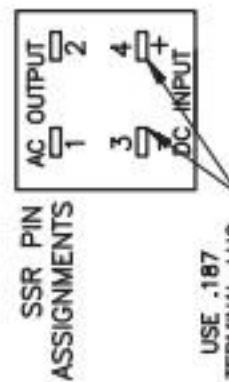


GEMINI UNITS ONLY

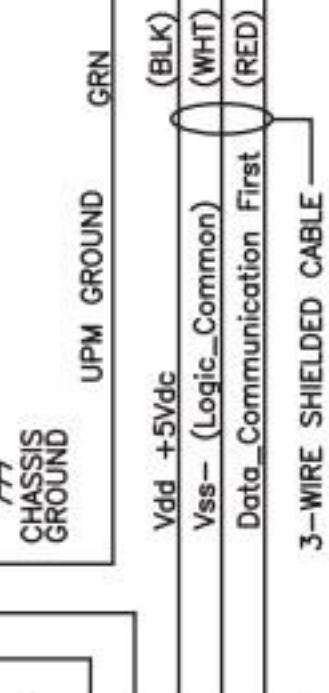
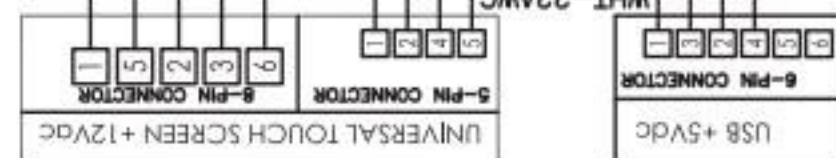
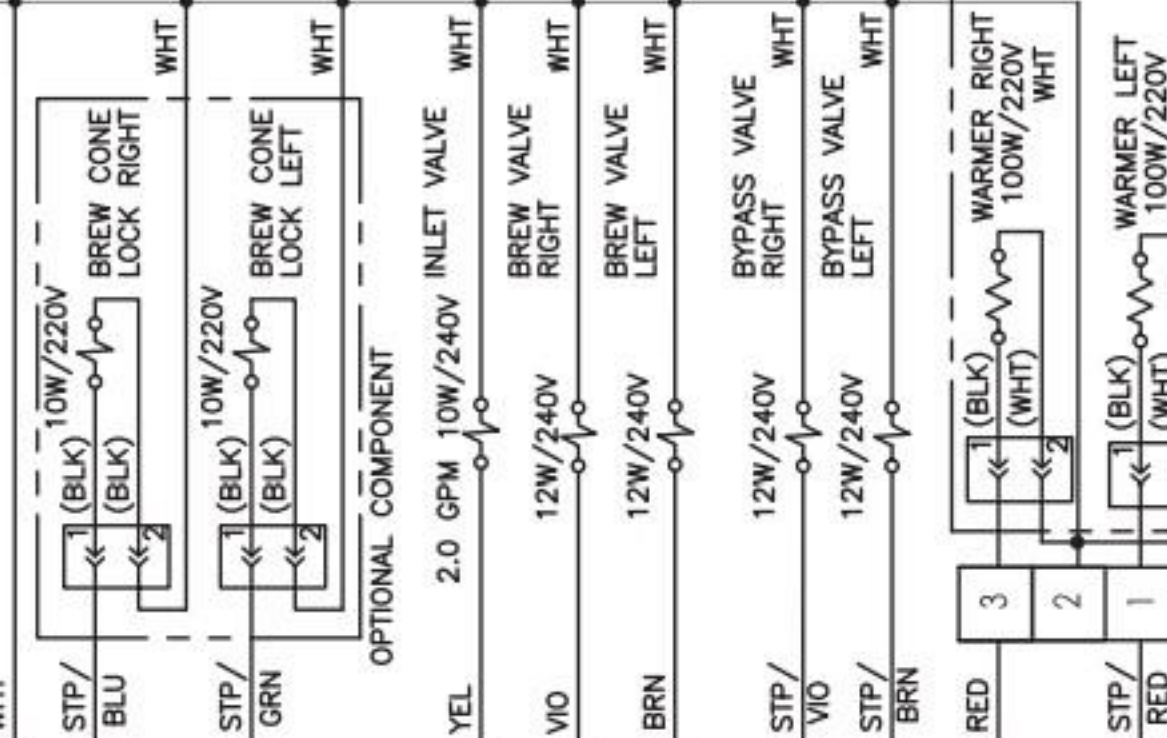
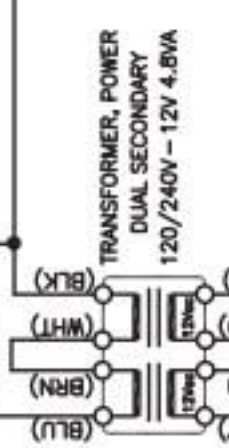
POWER BLOCK
57-65A/300-450V



INCOMING POWER
230Vac 1PH
2W+G 50/60 Hz



USE .187 TERMINAL LUG



VOLTAGE:	SEE TABLE
WATTAGE:	SEE TABLE
AMPERAGE:	SEE TABLE

Power Element	10W/220V	-	-	-
---------------	----------	---	---	---