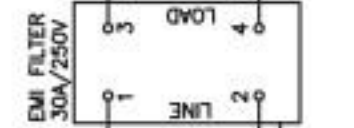


POWER BLOCK
57-65A/300-450V



INCOMING POWER
230V_{ac} 1PH
2W+G 50/60 Hz



CHASSIS GROUND

GRN/YEL-12GA

GRN/YEL-12GA

LINE

3

EMI FILTER

30A/250V

BLK/12GA

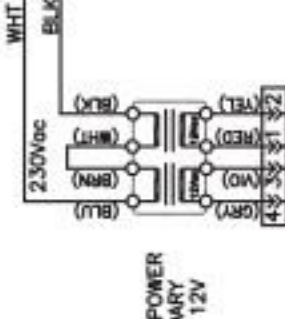
RED/12GA

RED/12GA

CHASSIS GROUND

CHASSIS GROUND

TRANSFORMER, POWER
DUAL SECONDARY
120/240V - 12V
4.8VA



WHT

BLK

BLK

BLK

STP/BLU

STP/VIO

STP/BLU

STP/BLU

STP/BLU

STP/BLU

STP/BLU

STP/BLU

STP/BLU

STP/BLU

STP/BLU

STP/BLU

STP/BLU

STP/BLU

STP/BLU

STP/BLU

STP/BLU

STP/BLU

STP/BLU

STP/BLU

STP/BLU

STP/BLU

STP/BLU

STP/BLU

STP/BLU

STP/BLU

STP/BLU

STP/BLU

STP/BLU

STP/BLU

STP/BLU

STP/BLU

STP/BLU

STP/BLU

STP/BLU

STP/BLU

STP/BLU

STP/BLU

STP/BLU

STP/BLU

STP/BLU

STP/BLU

STP/BLU

STP/BLU

STP/BLU

STP/BLU

STP/BLU

STP/BLU

STP/BLU

STP/BLU

STP/BLU

STP/BLU

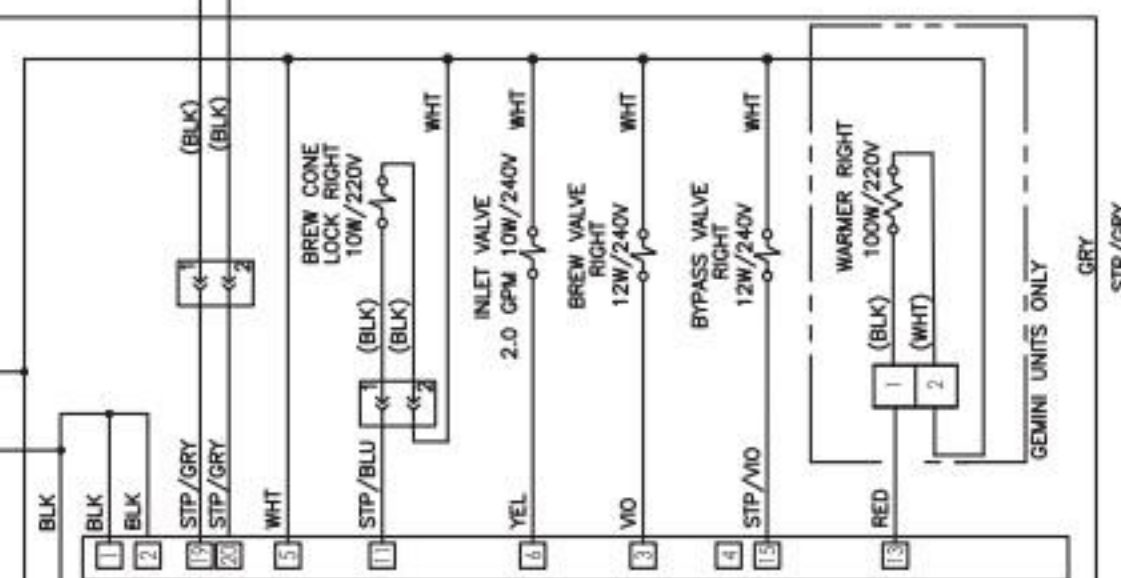
STP/BLU

STP/BLU

STP/BLU

STP/BLU

UNIVERSAL POWER MODULE (UPM) 220V_{ac}-5W
14-PIN CONNECTOR
20-PIN CONNECTOR



WHT

BLK

BLK

BLK

STP/GRY

STP/GRY

STP/GRY

STP/GRY

STP/GRY

STP/GRY

STP/GRY

STP/GRY

STP/GRY

STP/GRY

STP/GRY

STP/GRY

STP/GRY

STP/GRY

STP/GRY

STP/GRY

STP/GRY

STP/GRY

STP/GRY

STP/GRY

STP/GRY

STP/GRY

STP/GRY

STP/GRY

STP/GRY

STP/GRY

STP/GRY

STP/GRY

STP/GRY

STP/GRY

STP/GRY

STP/GRY

STP/GRY

STP/GRY

STP/GRY

STP/GRY

STP/GRY

STP/GRY

STP/GRY

STP/GRY

STP/GRY

STP/GRY

STP/GRY

STP/GRY

STP/GRY

STP/GRY

STP/GRY

STP/GRY

STP/GRY

STP/GRY

STP/GRY

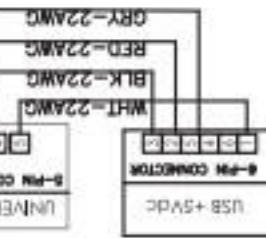
STP/GRY

STP/GRY

STP/GRY

STP/GRY

STP/GRY



WHT-22AWG

BLK-22AWG

RED-22AWG

GRY-22AWG

UNIVERSAL TOUCH SCREEN +12Vdc

8-PIN CONNECTOR

USB +5Vdc



STP/GRY

GRY

UPM GROUND

GRN

(BLK)

(WHT)

(RED)

3-WIRE SHIELDED CABLE

HEATING TANK

SENSOR TANK

LEVEL PROBE

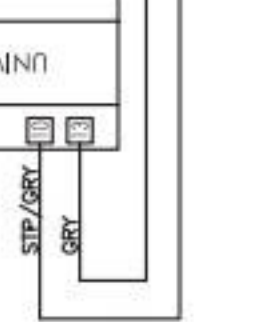
CHASSIS GROUND

CHASSIS GROUND

CHASSIS GROUND

CHASSIS GROUND

CHASSIS GROUND



STP/BLU

(BLK)

(BLK)

WHT

STP/BLU

(BLK)

(BLK)

WHT

YEL

WHT

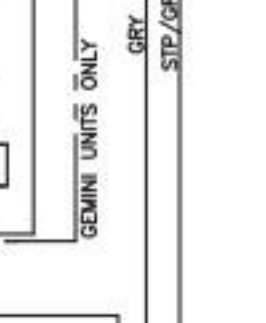
WHT

WHT

WHT

WHT

WHT



STP/GRY

GRY

GEMINI UNITS ONLY

GRY

STP/GRY

STP/GRY

STP/GRY

STP/GRY

STP/GRY

STP/GRY

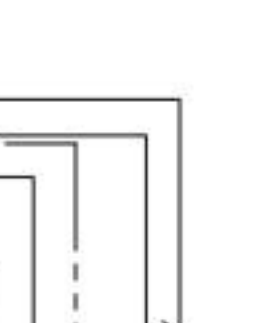
STP/GRY

STP/GRY

STP/GRY

STP/GRY

STP/GRY



STP/GRY

GRY

HTR ELEMENT

2 X 2000W/220V

BLK/12GA

RED/12GA

RED/12GA

RED/12GA

RED/12GA

RED/12GA

RED/12GA

RED/12GA

RED/12GA

RED/12GA

RED/12GA



STP/GRY

GRY

MANUAL RESET

HI-LIMIT SWITCH

DPST

40A/277V

220V

CURRENT SENSOR

CHASSIS GROUND

CHASSIS GROUND

CHASSIS GROUND

CHASSIS GROUND

CHASSIS GROUND

CHASSIS GROUND

CHASSIS GROUND



STP/GRY

GRY

TOGGLE SW

25A/125-250V

DPST

4

3

2

1

FUSE

5A/250V

CHASSIS GROUND

CHASSIS GROUND

CHASSIS GROUND

CHASSIS GROUND



BLU/12GA

RED/12GA

RED/12GA

RED/12GA

RED/12GA

RED/12GA

RED/12GA

RED/12GA

RED/12GA

RED/12GA

RED/12GA

RED/12GA

RED/12GA

RED/12GA

RED/12GA



BLK/12GA

RED/12GA

RED/12GA

RED/12GA

RED/12GA

RED/12GA

RED/12GA

RED/12GA

RED/12GA

RED/12GA

RED/12GA

RED/12GA

RED/12GA

RED/12GA

RED/12GA



BLK/12GA

RED/12GA

RED/12GA

RED/12GA

RED/12GA

RED/12GA

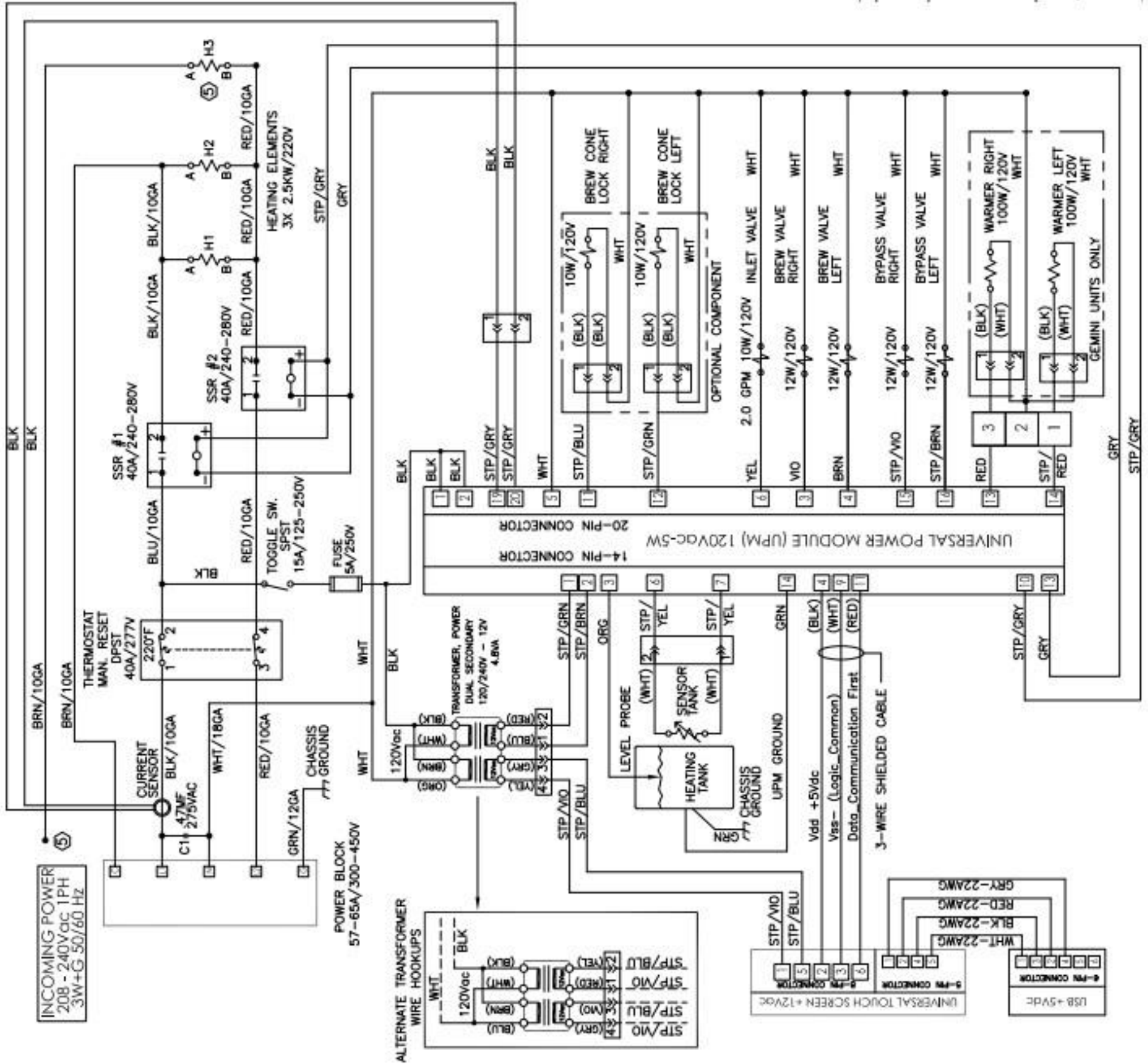
RED/12GA

RED/12GA

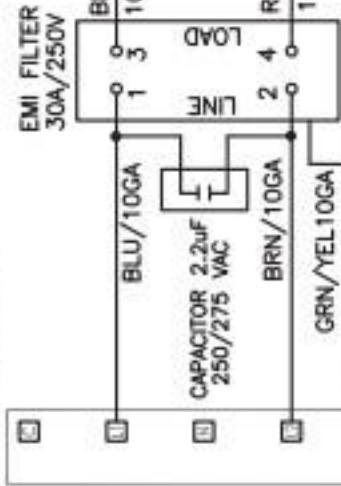
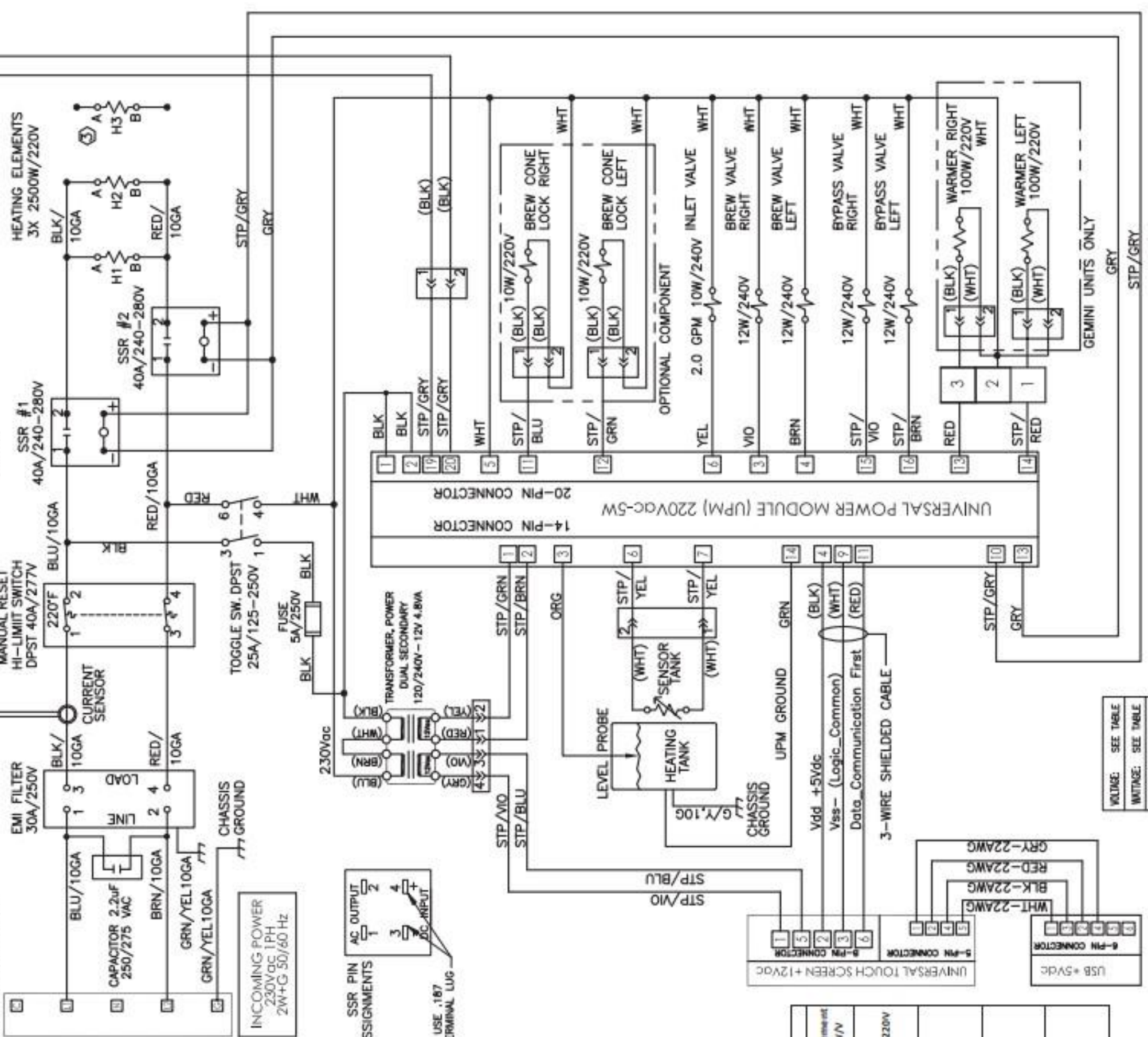
RED/12GA

RED/12GA

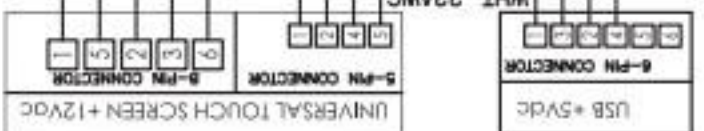
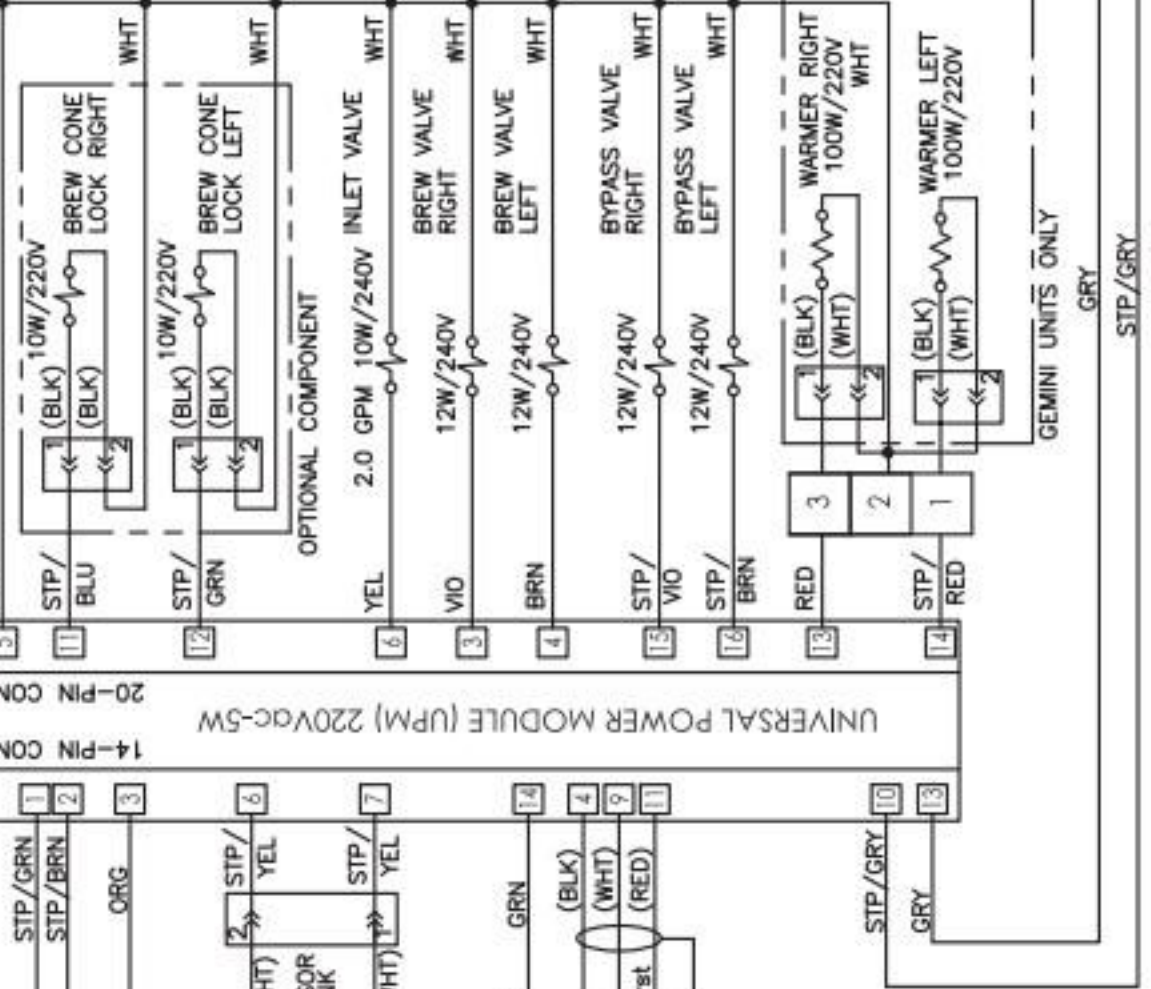
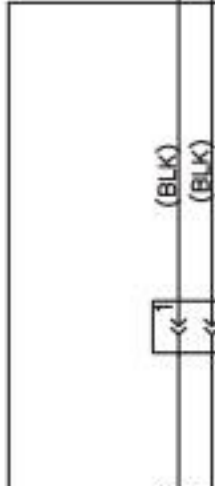
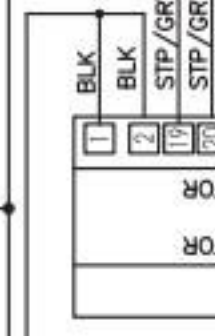
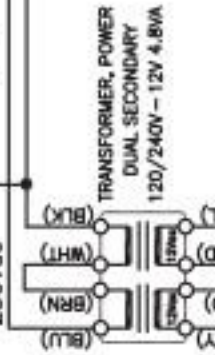
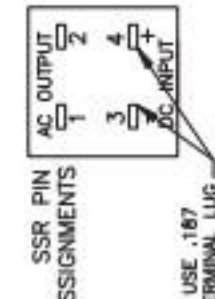
RED/12GA



POWER BLOCK
57-65A/300-450V



INCOMING POWER
230V_{ac} 1PH
2W+G 50/60 Hz



VOLTAGE:	SEE TABLE
WIRING:	SEE TABLE
AMPERAGE:	SEE TABLE