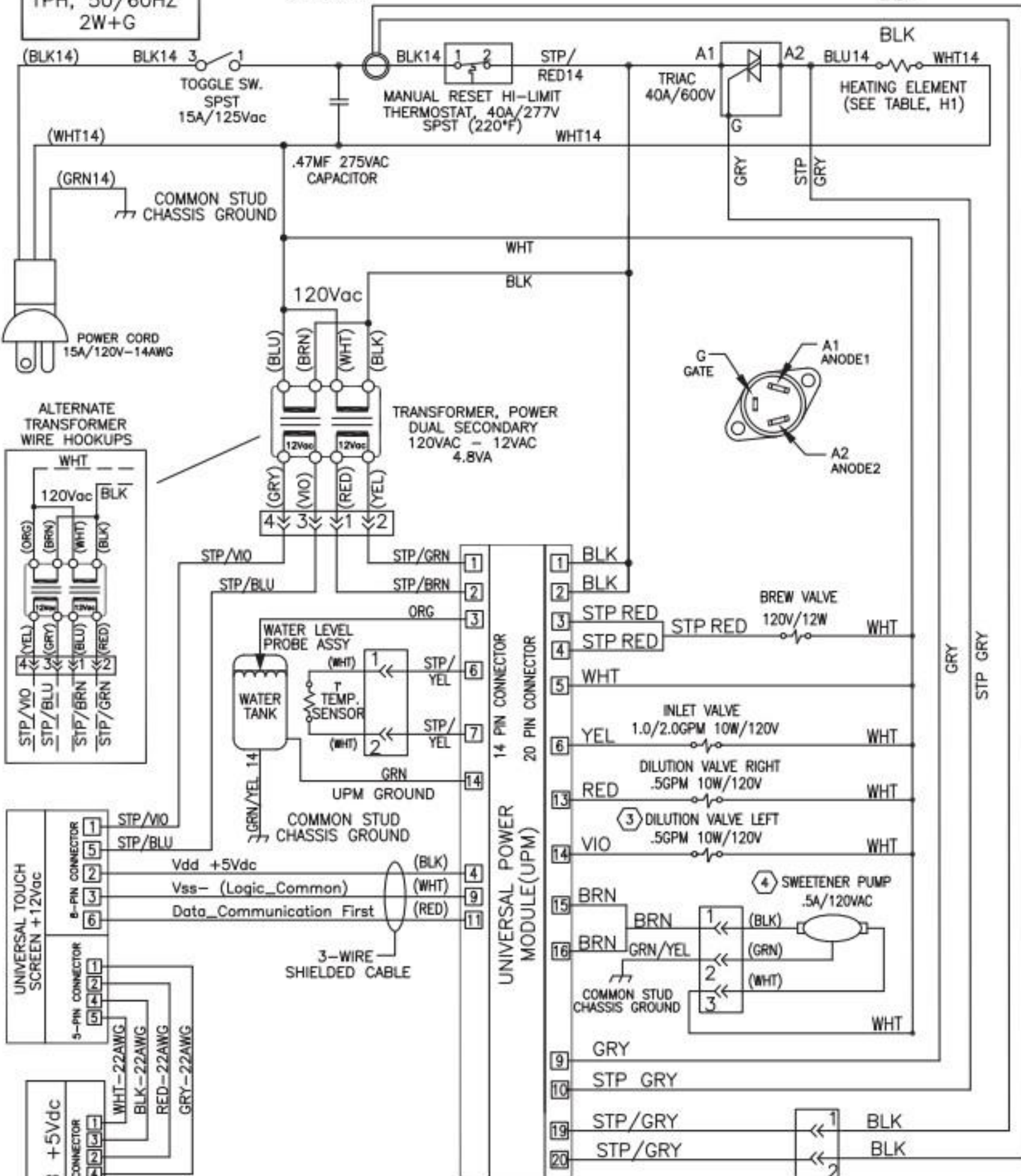


POWER SUPPLY
110-120VAC
1PH, 50/60HZ
2W+G

CURRENT
SENSOR

BLK



ELECTRICAL RATING TABLE

Component	Voltage	Amperes	Watts	Hertz	# of	# of Tank	Tank Element
Heating Element	120VAC	1.0A	120W	60Hz	1	1	1
Inlet Valve	120VAC	0.1A	12W	60Hz	1	1	1
Dilution Valve Right	120VAC	0.1A	12W	60Hz	1	1	1
Dilution Valve Left	120VAC	0.1A	12W	60Hz	1	1	1
Sweetener Pump	120VAC	0.5A	60W	60Hz	1	1	1