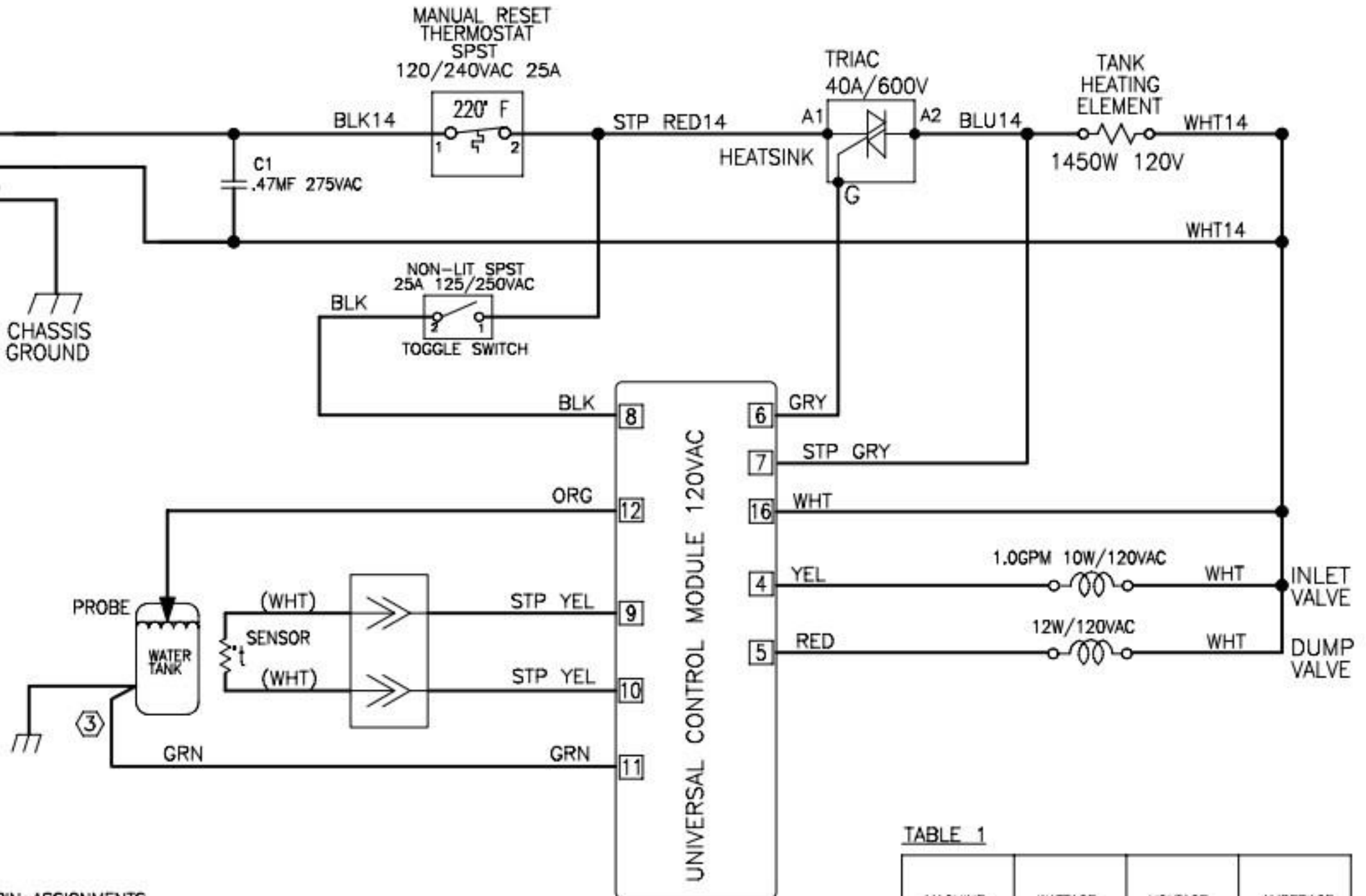
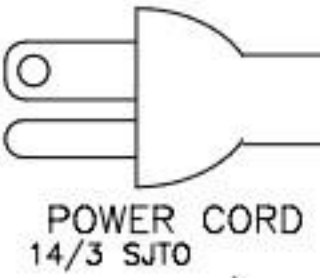
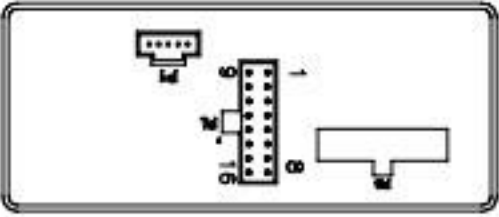


POWER SUPPLY
120VAC/1-PHASE
50/60HZ, 2W+G

SEE TABLE FOR
ELEC RATING
PER MODEL



LEGEND



CONNECTOR PIN ASSIGNMENTS

- 1: N/A
- 2: N/A
- 3: N/A
- 4: INLET VALVE
- 5: DUMP VALVE
- 6: GATE, TRIAC
- 7: TRIAC A2
- 8: 120V HOT (BLK)
- 9: SENSOR
- 10: SENSOR
- 11: GROUND

TRIAAC PIN ASSIGNMENTS

TABLE 1

MACHINE	WATTAGE	VOLTAGE	AMPERAGE