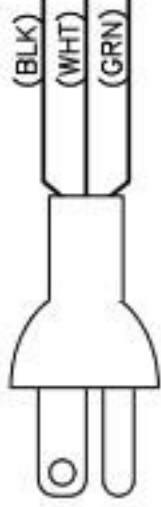
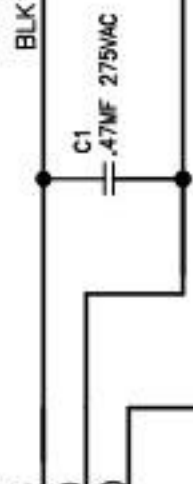


POWER CORD  
14/3 S/JT0



POWER SUPPLY  
120VAC/1-PHASE  
50/60HZ, 2W+G  
SEE TABLE FOR  
ELEC RATING  
PER MODEL

MANUAL RESET  
THERMOSTAT  
SPST  
120/240VAC 25A

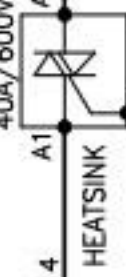


CHASSIS  
GROUND

NON-LIT SPST  
25A 125/250VAC  
TOGGLE SWITCH



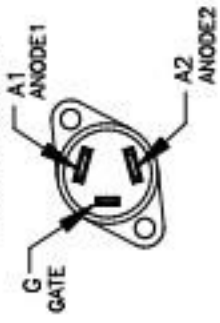
TRIAC  
40A/600V



TANK  
HEATING  
ELEMENT  
1450W 120V

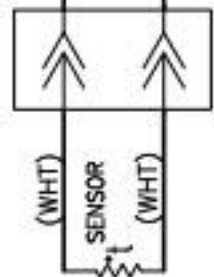


TRIAC PIN  
ASSIGNMENTS

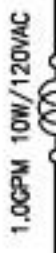


UNIVERSAL CONTROL  
MODULE 120VAC

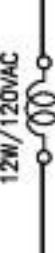
WATER TANK  
PROBE



INLET VALVE



DUMP VALVE



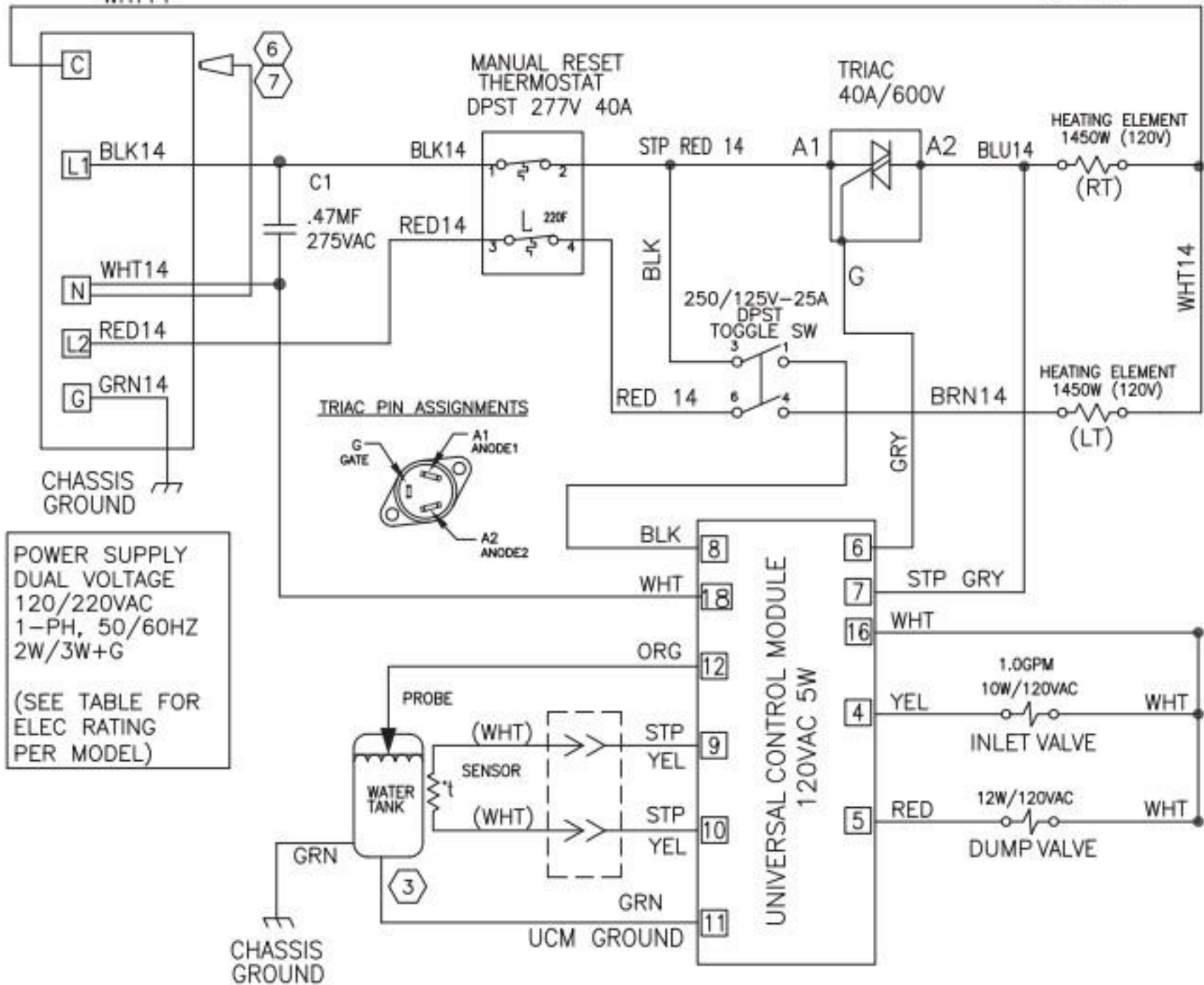
CONNECTOR PIN ASSIGNMENTS

- 1: N/A
- 2: N/A
- 3: N/A
- 4: INLET VALVE

TERMINAL BLOCK  
5 STA 50A/600V

WHT14

WHT14



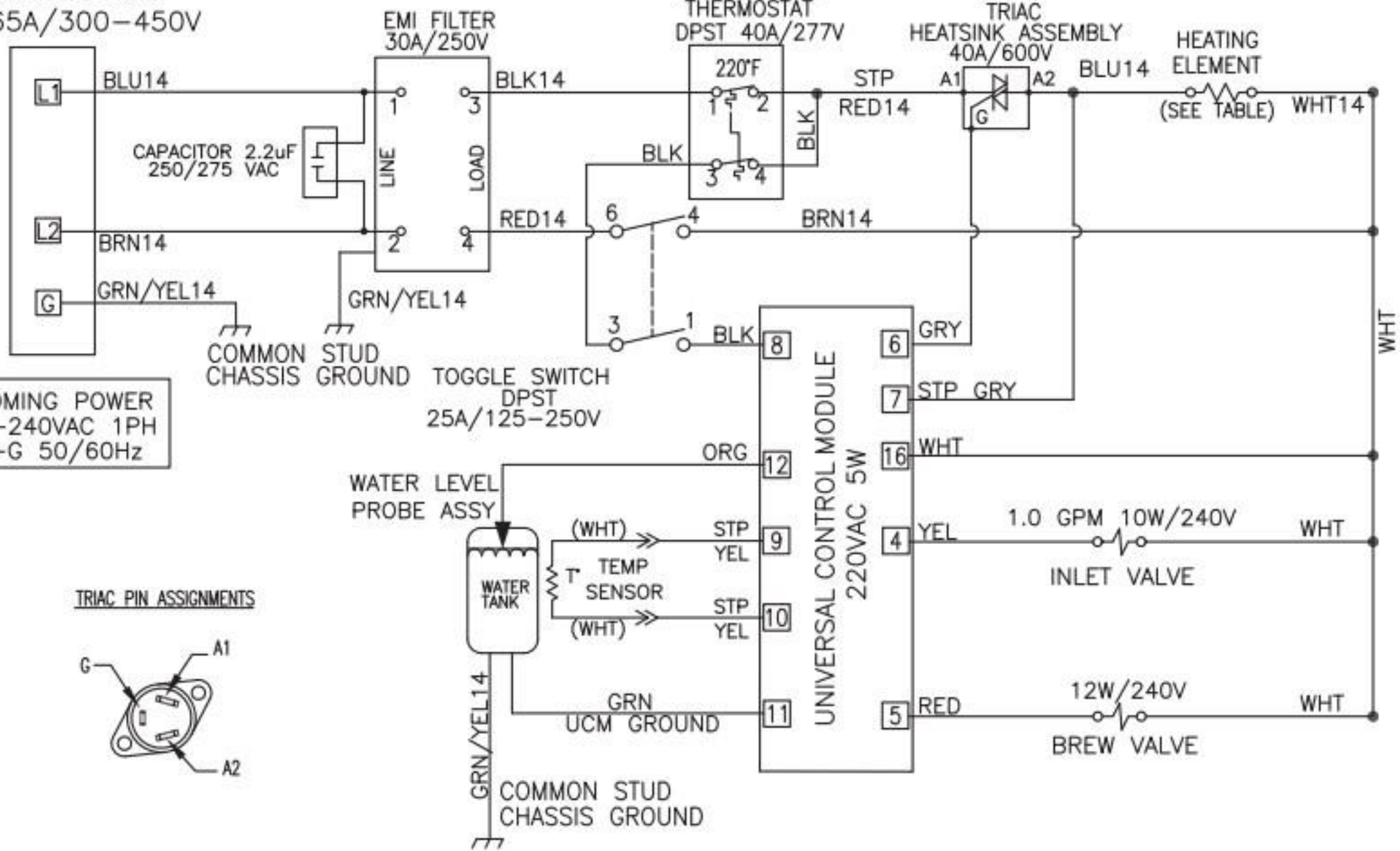
**POWER BLOCK**  
57-65A/300-450V

**MANUAL RESET THERMOSTAT**  
DPST 40A/277V

**TRIAC HEATSINK ASSEMBLY**  
40A/600V

**HEATING ELEMENT**  
(SEE TABLE)

**INCOMING POWER**  
220-240VAC 1PH  
2W+G 50/60Hz



TRIAC PIN ASSIGNMENTS

