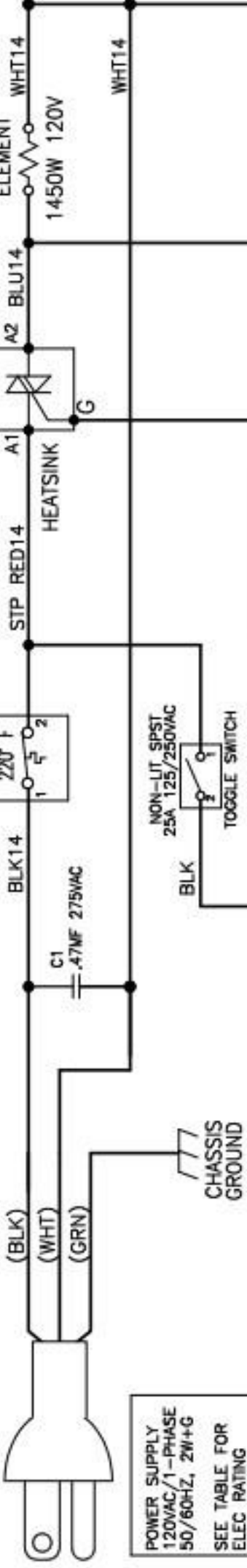


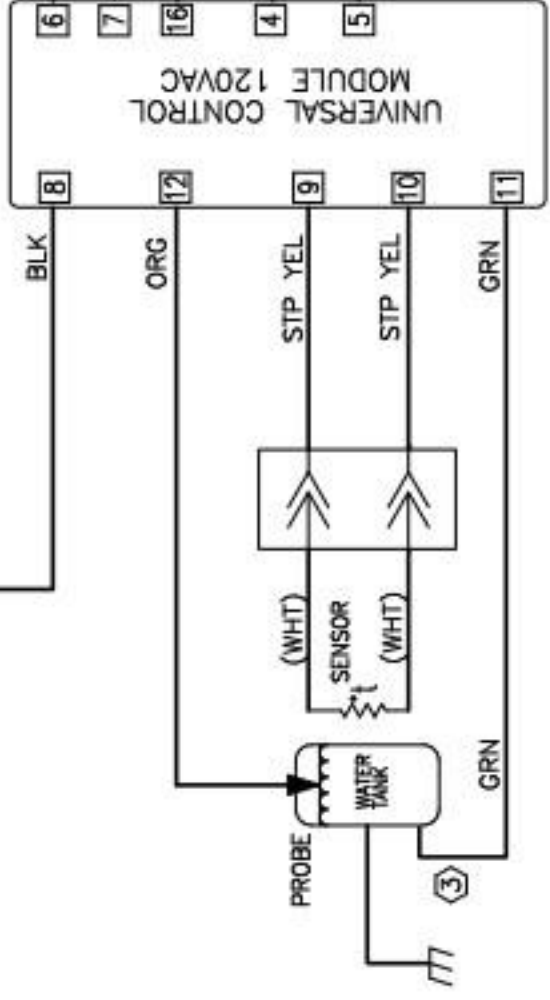
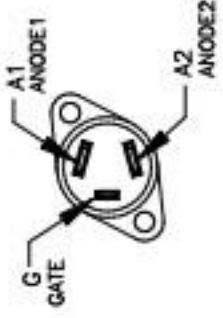
MANUAL RESET
THERMOSTAT
SPST
120/240VAC 25A

POWER CORD
14/3 SJT0



POWER SUPPLY
120VAC/1-PHASE
50/60HZ, 2W+G
SEE TABLE FOR
ELEC RATING
PER MODEL

TRIAC PIN
ASSIGNMENTS



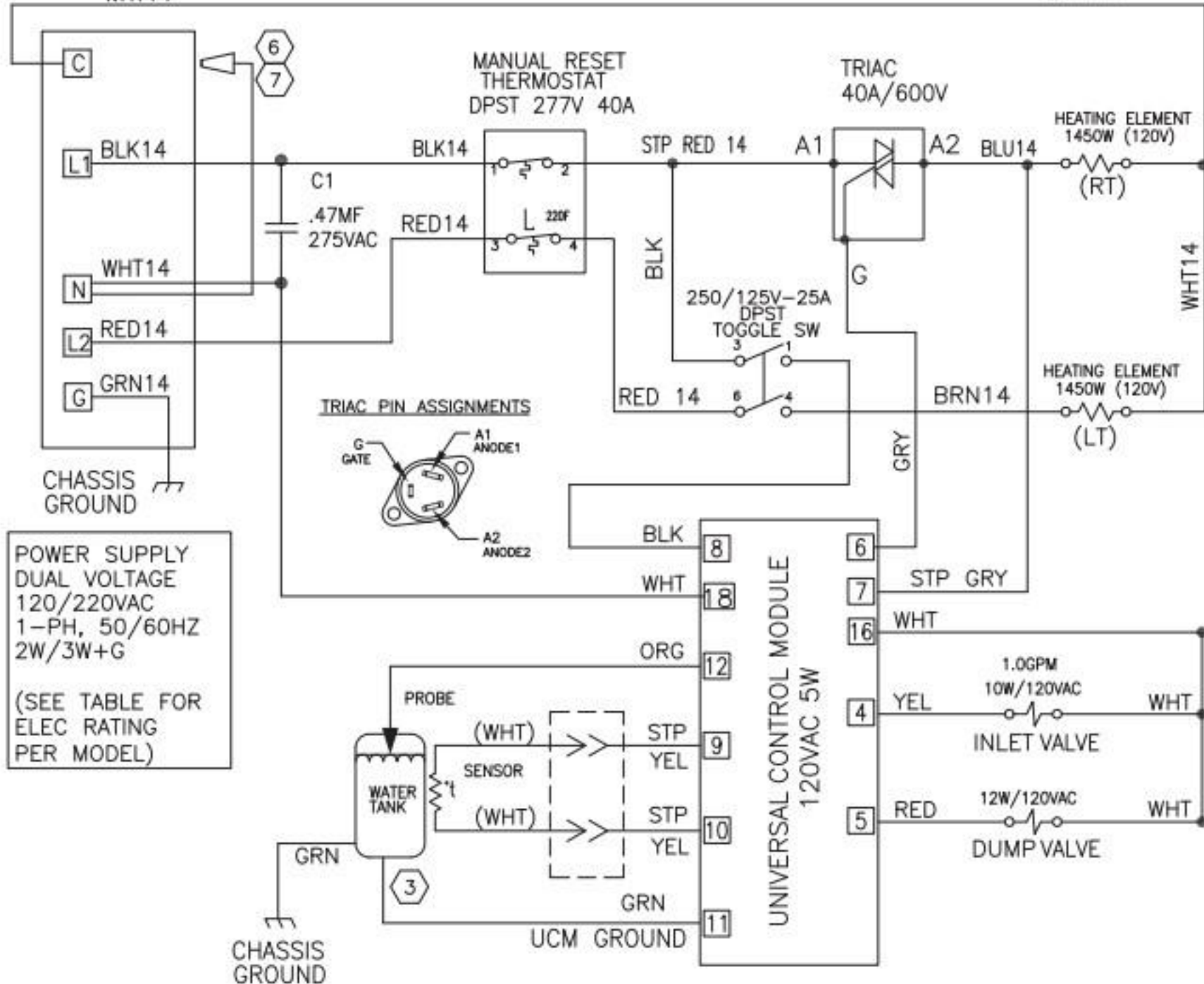
CONNECTOR PIN ASSIGNMENTS

- 1: N/A
- 2: N/A
- 3: N/A
- 4: N/A

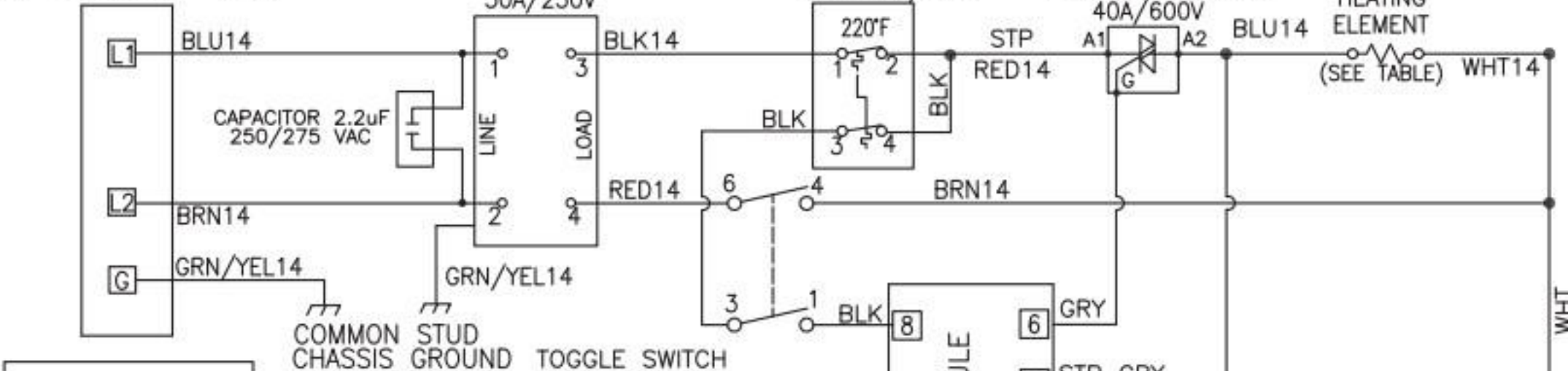
**TERMINAL BLOCK
5 STA 50A/600V**

WHT14

WHT14

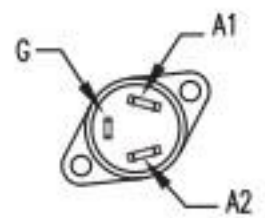


POWER BLOCK
57-65A/300-450V



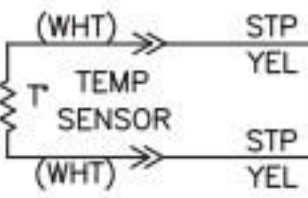
INCOMING POWER
220-240VAC 1PH
2W+G 50/60Hz

TRIAC PIN ASSIGNMENTS



TOGGLE SWITCH
DPST
25A/125-250V

WATER LEVEL PROBE ASSY



COMMON STUD CHASSIS GROUND

WHT

WHT

WHT