

UCM Pin Assignments

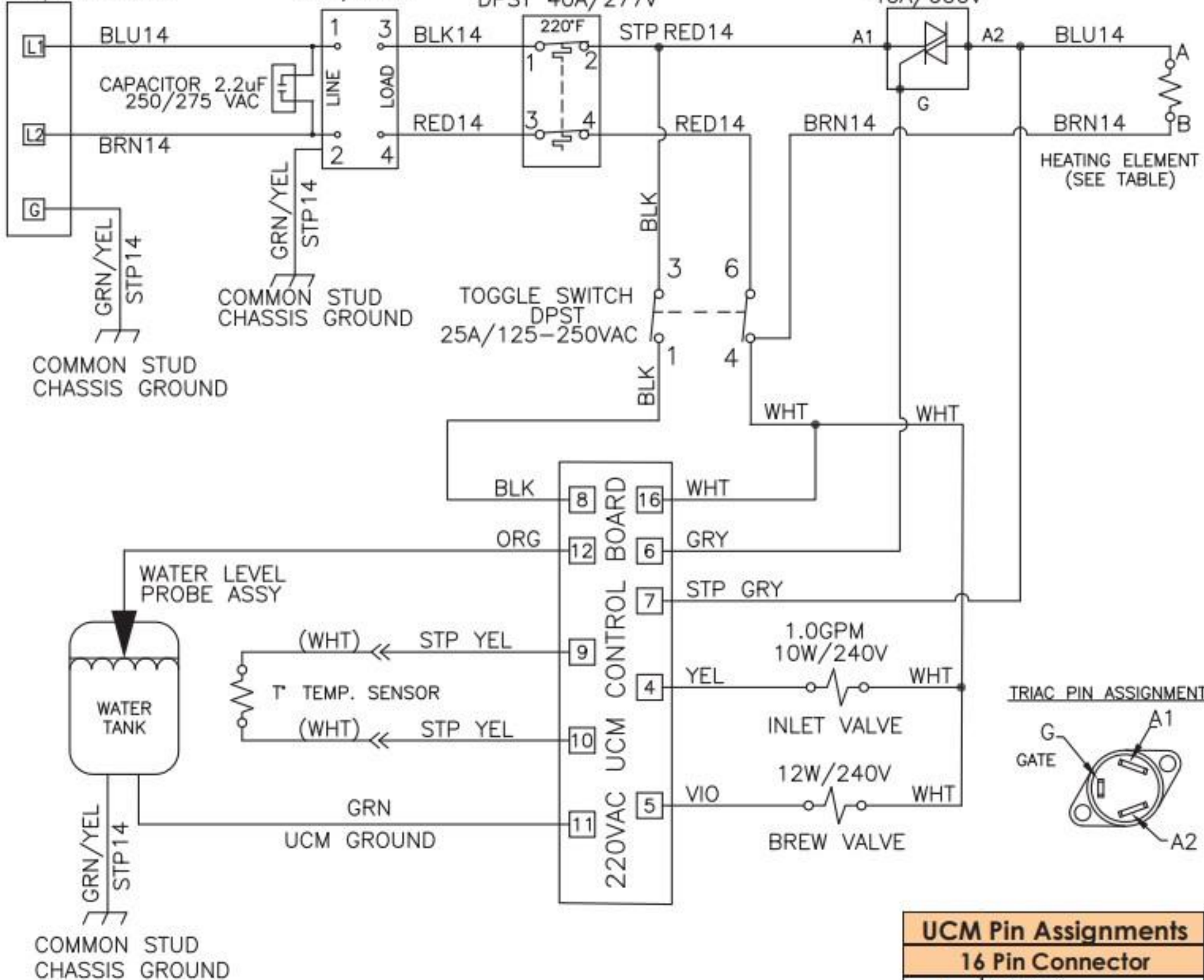
INCOMING POWER  
220-240Vac 1PH  
2W+G 50/60 Hz

POWER BLOCK  
57-65A/300-450V

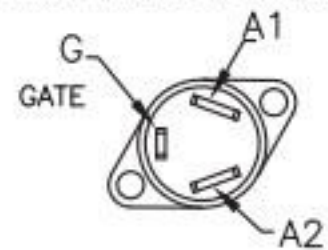
EMI FILTER  
30A/250V

MANUAL RESET  
THERMOSTAT  
DPST 40A/277V

HEATSINK ASSEMBLY  
TRIAC  
40A/600V



TRIAC PIN ASSIGNMENTS



UCM Pin Assignments  
16 Pin Connector

1	NOT USED
---	----------