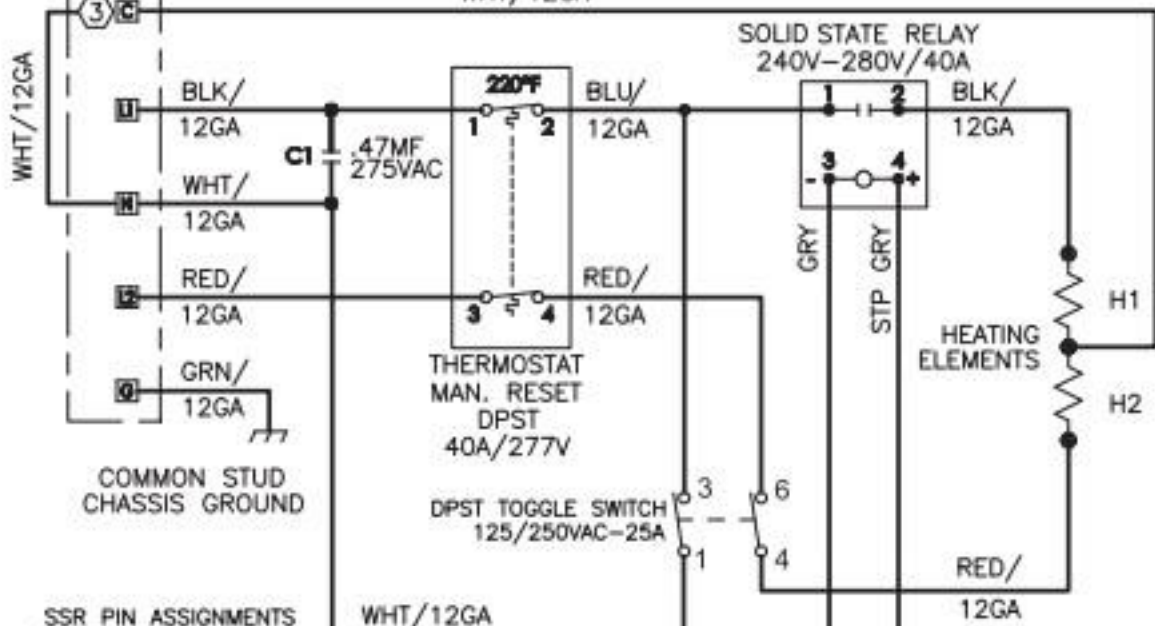
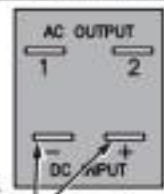


POWER BLOCK
57-65A/300-450V

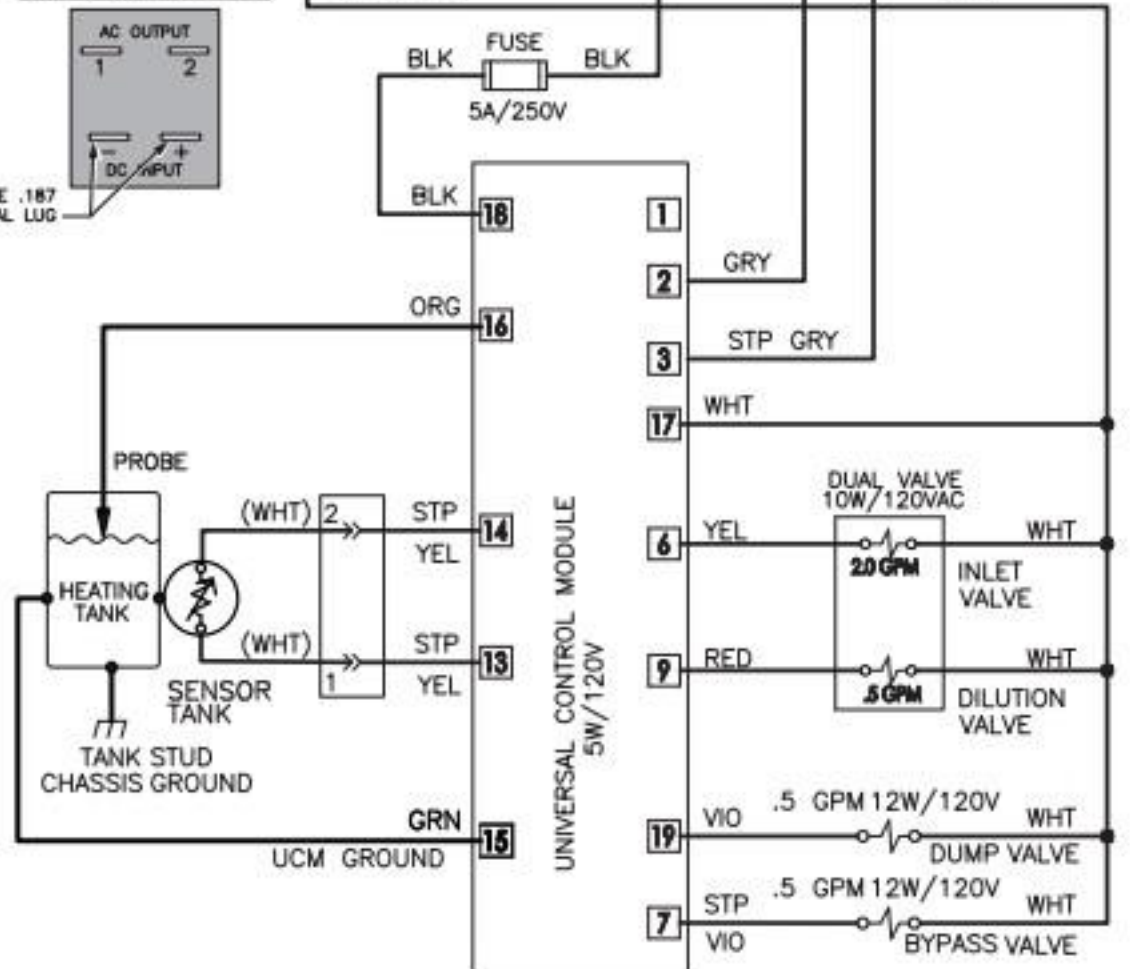
WHT/12GA



SSR PIN ASSIGNMENTS



USE .187 TERMINAL LUG



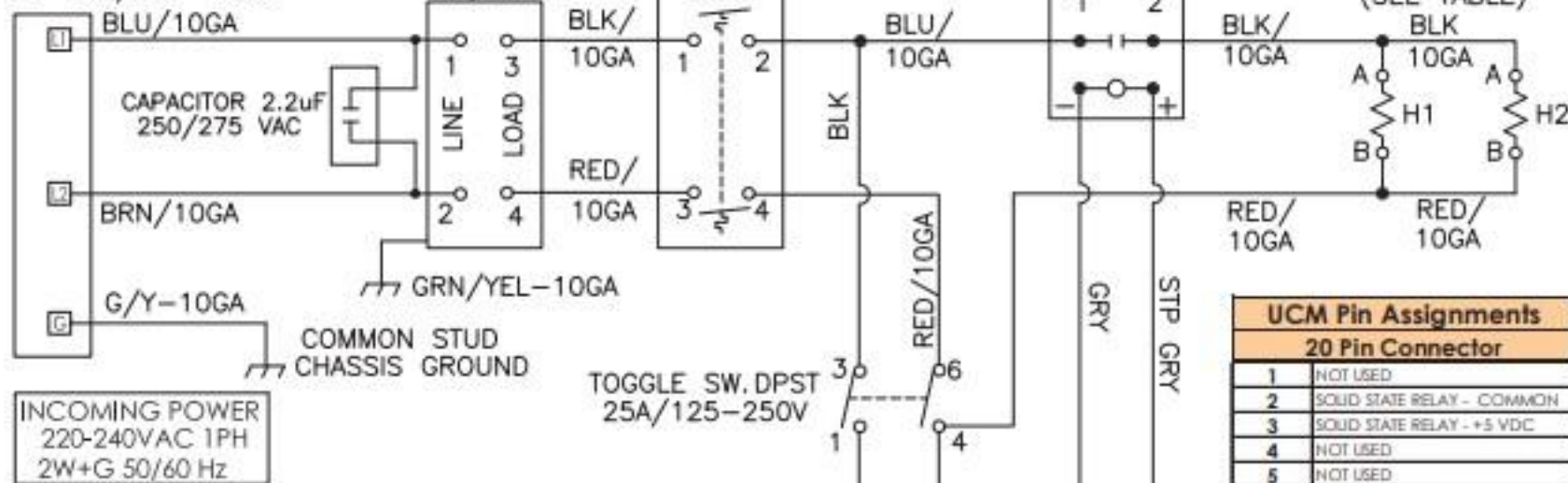
POWER BLOCK
57-65A/300-450V

FILTER NOISE
EMI
30A/250V

THERMOSTAT
MAN. RESET
DPST 40A/277V

SOLID STATE RELAY
40A/240-280V

HEATING ELEMENTS
(SEE TABLE)



UCM Pin Assignments 20 Pin Connector	
1	NOT USED
2	SOLID STATE RELAY - COMMON
3	SOLID STATE RELAY - +5 VDC
4	NOT USED
5	NOT USED
6	INLET VALVE
7	BYPASS VALVE
8	NOT USED
9	DILUTION VALVE
10	NOT USED
11	NOT USED
12	NOT USED
13	TANK TEMPERATURE SENSOR
14	TANK TEMPERATURE SENSOR
15	UCM GROUND
16	WATER LEVEL PROBE
17	120V NEUTRAL
18	120V HOT
19	DUMP VALVE
20	NOT USED

