



WILBUR CURTIS COMPANY, INC.

Service Manual, Alpha G3 - Decanter Brewer

FIND OUT MORE

ON THE WEB

WWW.WILBURCURTIS.COM

Models Included

- ALPHA 1GT
- ALPHA 2GT
- ALPHA 2GTW
- ALPHA 3GT
- ALPHA 3GTR
- ALPHA 3GTL
- ALPHA 4GT
- ALPHA 5GT
- ALPHA 5GTR
- ALPHA 5GTL
- ALPHA 6GT
- ALPHA 6GTN



CAUTION: Please use this setup procedure before attempting to use this brewer. Failure to follow the instructions can result in injury or the voiding of the warranty.



CAUTION: DO NOT connect this brewer to hot water. The inlet valve is not rated for hot water.



CAUTION: When cleaning, DO NOT use powders, liquids, cleansers, or any substance containing chlorine. These products promote corrosion, cause pitting of stainless steel and will void the warranty.

Important Safeguards/Conventions

This appliance is designed for commercial use. Any servicing other than cleaning and maintenance should be performed by an authorized Wilbur Curtis service center.

- Do NOT immerse the unit in water or any other liquid
- To reduce the risk of fire or electric shock, do NOT open top or rear panel. No user serviceable parts inside. Repair should be done only by authorized service personnel.
- Keep hands and other items away from hot parts of unit during operation.
- Never clean with scouring powders, bleach or harsh implements.

Conventions



WARNINGS – To help avoid personal injury



Important Notes/Cautions – from the factory



Sanitation Requirements

Your Curtis ADS System is Factory Pre-Set and Ready to Go... Right from the Carton.

Following are the Factory Settings for your ALPHA™ GT

Coffee Brewing Systems:

- Brew Temperature = 200°F
- Brew Volume = Set to dispensing vessel requirements (60 oz)
- Warmer Setting on HIGH with Quality Timer OFF

Generally there will never be a reason to change your G3 programming. However, should you need to make slight adjustments to meet your brewing needs, programming instructions are provided later in this manual.

System Requirements:

- Water Source 20 – 90 PSI. Must have a minimum flow rate of ½ GPM (preferred flow rate is 1 gpm).
- Electrical: See attached schematic for standard model or visit www.wilburcurtis.com for your model.

Equipment to be installed to comply with applicable federal, state, or local plumbing/electrical codes having jurisdiction.

SETUP STEPS

The unit should be level (left to right and front to back), located on a solid counter top. Connect a water line from the water filter to the brewer. **NOTE:** Some type of water filtration device must be used to maintain a trouble-free operation. (In areas with extremely hard water, we suggest that a sedimentary and taste & odor filter be installed.) This will prolong the life of your brewing system and enhance coffee quality.



NSF International requires the following water connection:

1. A quick disconnect or additional coiled tubing (at least 2x the depth of the unit) so that the machine can be moved for cleaning underneath.
2. In some areas an approved backflow prevention device may be required between the brewer and the water supply.

1. A 3/8" NPT x 1/4" Flare elbow has been supplied for water line connection. Use tubing sized sufficiently to provide a minimum of ½ gallon per minute.
2. Connect the unit to an appropriate electrical power circuit.
3. Turn on the toggle (STANDBY/ON) switch behind the unit. The heating tank will start to fill. When the water level in the tank rises to the correct volume, the heating elements will energize automatically. With ADS Systems there is no danger of element burnout caused by an empty tank.
4. The heating tank will require 20 to 30 minutes to reach operating temperature (200°F) as indicated by READY-TO-BREW displayed on the LED.
5. Prior to brewing, dispense 12 ounces of hot water through the hot water faucet.
6. Brew a cycle of at least 12 ounces, to purge the water lines of any air that may be trapped after filling.

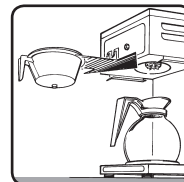
BREWING INSTRUCTIONS

1. Brewer should be ON (Confirm at rear toggle switch, then press ON/OFF button). Ready-to-Brew should be displayed.
2. Place empty decanter (not included with Alpha brewer) on warmer plate.
3. Place a new filter in brewcone.

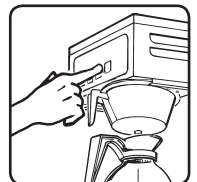
4. Pour ground coffee into brewcone.



5. Position brewcone into brew rails.



6. Press Brew button.



WILBUR CURTIS COMPANY
Montebello, CA 90640

FOR THE LATEST SPECIFICATIONS AND INFORMATION GO TO WWW.WILBURCURTIS.COM

QUICK START

ALPHA GT

Your Curtis G3 System is Factory Pre-Set for Optimum Performance.

After connection to water and power; the rear toggle switch must be on. You will hear a beep sound, indicating power is available to the controller.

The control displays **CURTIS**. Press ON/OFF button and the screen will display **<ALP3/4/5> CURTIS**. After three seconds, **CURTIS FILLING** is displayed.

Water will fill the tank (approximately 2-3 minutes depending on water flow rate). When the proper level is reached **CURTIS HEATING** will appear on the screen. It takes approximately 20 minutes to reach setpoint temperature of 200°F.

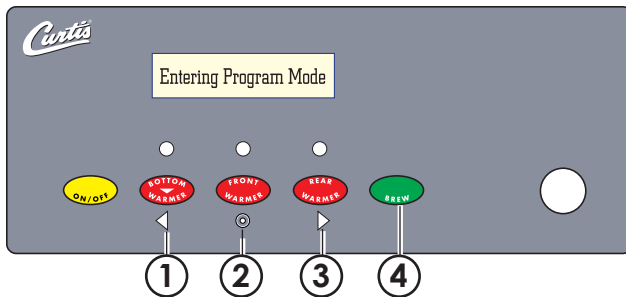
Control will display **CURTIS READY TO BREW** when temperature reaches the setpoint (200°F). Unit is now ready to brew.

To Go Into Programming

Turn off (dark display) by pressing ON/OFF button (yellow). Press and hold BREW button (green) and then press and release ON/OFF button (yellow).

Continue holding BREW button. Display will read **ENTERING PROGRAM MODE**, wait until **ENTER CODE** is displayed. Enter the 4-digit access code, the digits 1-4 correspond to the buttons (see illustration below).

The default code set at the factory is 1-2-3-4. Then **PROGRAM MENUS SELECT** will be displayed.



All programming selections are performed with the three center buttons. The symbols below the buttons are:

- ◀ Scroll LEFT
- ⊙ SELECTION or ENTER to save new parameter
- ▶ Scroll RIGHT



Model Select – Always perform this first. This feature re-sets all settings to the factory defaults.

Scroll through the menu to Model Select. The choices are **ALPHA-1**, **ALPHA-2**, **ALPHA-3/4/5**, **Airpot Brewer** and **Thermo-Alpha**. You should select only ALPHA-1, ALPHA-2 or ALPHA-3/4/5.

PROGRAM MENUS

Brew Volume

Selecting Brew by Volume or Brew by Time depends on whether you know your brew time before starting. From Program Menus press > display will now show the next feature.



During the actual brew cycle, a 2-minute drip mode is added to the brew time. The programmed water level compensates for back to back brewing Delta 3 to allow for an increase of water volume.

Brew by Volume (Factory set to 60 oz.): Press ⊙ to Select, Display will now show Push START To Begin... Press the BREW button then hot water starts running, when desired volume is reached press BREW button again to stop the flow. Now the volume has been set. Pressing > button will display the subsequent menu features.

Brew by Time (Factory set to 2min–40sec). Press ⊙ to Select to change the brew time. Display will now show the current time. By pressing < or > you can toggle back and forth from minutes to seconds to exit (ex). Change the time or set and exit by pressing ⊙.

Temperature (Factory set to 200°F) Press ⊙ to Select. Press < or > to move to desired temperature and then ⊙ to set. Temperature is programmable from 170°F to 204°F, in 2-degree increments.

Energy Save Mode (Factory set to OFF) Press ⊙ to Select, < or > ON, OFF or ON 140°F, ⊙ to set. When in ON, unit will automatically shut off 4 hours from last brew. When feature is OFF, unit does not have the energy saving mode. In the ON 140°F position, temperature goes down to 140°F. If unit has not brewed in 4 hours. This feature will save energy by lowering the tank temperature during periods of non-operation.

Brew Count Odom. Press ⊙ to display total gallons brewed. Press ex or Reset

Pre-Infusion (Factory set to OFF) Press ⊙ to Select. Current setting in seconds is displayed < to decrease or select > to increase (range from OFF to 10 through 60 seconds), ⊙ to set.



If Pre-infusion is selected (ON), Cold Brew Lock is set to Delta 1 within 5°F of set point and Cold Brew Lock disappears from the list of program selections. When Pre-infusion is ON, Pulse Brew disappears from the list of program selections.


Quality Timer (Factory set to OFF) Press ⊙ to Select, < or > OFF or ON 20 minutes to 120 minutes in 10 minute increments. Press ⊙ to set. An audible alarm will sound when time is expired.


Brew Count Total Press ⊙ to Select, Shows total gallons and total brew cycles on the unit. Is read only and not resettable


PROGRAM MENUS


Cold Brew Lock . . . (Factory set to 15°) Press  to select, < or > to select desired setting (CBL 5, 15 or OFF),  to set.



The Cold Brew Lock feature allows the brewer to brew at three different temperature levels from the actual set point. The first setting is within 5 degrees of set point, next is within 15 degrees of set point, OFF is within 30 degrees of set point for the Ready to Brew message, however it will brew at any temperature. This feature will operate after initialization to set temperature after the rear standby toggle switch is reset to ON.

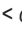
Master Reset Press  to display Are You Sure? Then < for Yes, > for No. Brewer factory defaults are then reset.

Service Call (Phone number Factory set to [800] 995-0417) Press  to display number and change number or < to move place and EX to exit when complete This number will be displayed during a Heating system SENSOR ERROR or during a WATER ERROR.


Access Code (Factory set to 1-2-3-4) Press  to display number and change number, (the number can be change 1 to 4) or < to move place and ex to exit when complete.

Banner Name (Factory set to CURTIS) Press  to display letters and change letters or < to move place and EX to exit when complete. This feature allows up to 14 letters to be programmed for company name or regional name. Programming all blanks disables Banner Name.

Warmers Auto OFF (Factory set to Disable) Press  to Select. Press < or > to move to desired time and then  to set. Timer is programmable from 2 to 4 hours in one hour increments or OFF.

P-Maintenance (Factory set to OFF) Press  to Select, Set gallons brewed to indicate P-Maintenance. Press < or > to adjust from Off to 3000 gallons. Press  to exit.

Beeper On/Off (Factory set to ON) Press  to display ON or OFF. Pressing either < or > toggles between on and off.  to set.


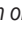
Pulse Brew (Factory setting OFF) Press  to select, < or > to select OFF or one of five pulse patterns (A to E) .



Guidelines for Pulse Brew:

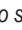

This feature allows tuning of the coffee flavor. The pot level should always be set first with this option OFF. Depending on your grind profile and water conditions, the five Pulse Brew options help "tune" or change the coffee flavor. Filter Pack type coffees typically extract better with the A and B pulse setting. Decaffeinated coffees typically extract better with the B pulse setting. High-Yield coffees typically extract better with the C pulse setting. Of course, any of the A, B or C settings may be used to suit your taste profile. There are two additional settings (D and E) that allow you to manually set the ON TIME pulses and OFF TIME.



If Pulse Brew is selected (ON), Cold Brew Lock is set to Delta 1 within 5°F of set point and Cold Brew Lock disappears from the list of program selections. When Pulse Brew is ON, Pre-infusion disappears from the list of program selections.

Display Brew Time (Factory set to ON). Press  to display ON or OFF. Pressing either < or > toggles between on and off.  to set. When on, the Display Brew Time feature allows you to see the remaining time in the brewcycle counting down.

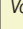
Drip-Out Mode (Factory set to 2 min) Press  to select. Press > to increase time (to a maximum of 5 minutes) or < to decrease the time and turn OFF. Time counts up in 5 second increments. Press  to set.

Model Select Press  to select, < or > to select model. The selections are: ALPHA-1, ALPHA-2, ALPHA-3/4/5, Airpot Brewer, Thermo-Alpha (for the D60GT). Press  to set. When the Model Select feature is changed, all settings are reset to the defaults of the newly selected model.

Exit Press  to select, exits program mode and returns unit to operation.


Brew Volume – Easy Access

Units produced beginning January 2008 can be easily adjusted from the front panel. Written into the software on the Alpha GT UCM, is a feature to access the brew volume without entering the program mode.

The UCM must be on. To adjust the ALP1GT models, press and hold down the center, Select button . The screen will read

Vol. Adj. < -0 > Oz.
- Select +


 pressing < or > will adjust the brew volume up or down, ± 20 oz, in 1 ounce increments.

On any multi-station Alpha (ALP2/3/4/5/6GT): Press the center Select button  twice, with the second press hold down the button for around five [5] seconds. The screen will display


Vol. Adj. < -0 > Oz.
- Select +


 pressing < or > will adjust the brew volume up or down, ± 20 oz, in 1 ounce increments.

Warmer Temperature Control

Turn on brewer at the control panel ON/OFF button. Warmer button should be OFF (LED off). Press and hold desired WARMER button. Screen will display current setting in % of power. Press < or > to increase or decrease power to warmer (50% to 100% in 10% increments). Press  to set.

Tank Temperature Check

Turn on brewer at the control panel ON/OFF button. Press and hold  button (see illustration, page 2) for 5 seconds. Water Temperature will be displayed. The temperature will not display while the unit is in the process reheating.

NOTE: Alpha 3GT ONLY; when checking tank temperature, first make sure REAR warmer is ON (red LED on) and then press  for 5 seconds to display tank temperature.

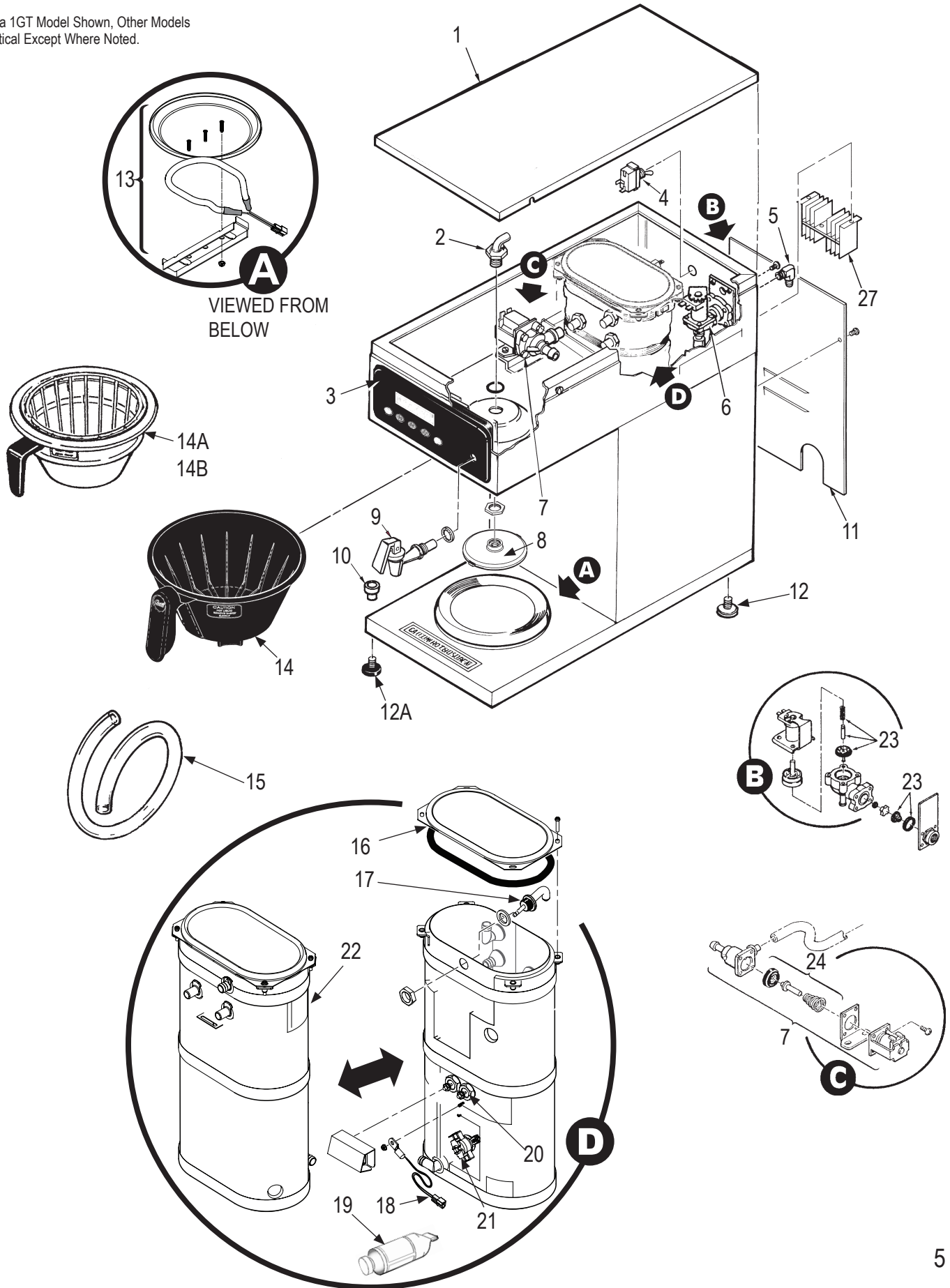
ILLUSTRATED PARTS LIST
ALPHA GT

ITEM	PART N°	DESCRIPTION
1	WC-58117	COVER, TOP ALP1/ALP3GTL/ALP3GTR/ALP5GTW
1A	WC-58019	COVER, TOP ASSY ALP2GT
1B	WC-58066	COVER, TOP ALP2W/ALP6GTW
1C	WC-6812	WARMER, TOP ASSY 120V ALP3GT/ALP5GTL/ALP5GTR
1D	WC-61132-101	COVER, TOP ASSY ALP4GT
1E	WC-8619	WARMER, TOP ASSY ALP6GT
2	WC-2962	FITTING, SPRAYHEAD PLT'D
3	WC-37061*	KIT, LABEL & UCM ALPHA 1GT CURTIS
3A	WC-37062*	KIT, LABEL & UCM ALPHA 2GT CURTIS
3B	WC-37063*	KIT, LABEL & UCM ALPHA 3GT CURTIS
4	WC- 102*	SWITCH, TOGGLE SPST 25A 125/250VAC RESISTIVE
4A	WC- 103	SWITCH, TOGGLE DPST 25A 125/250VAC RESISTIVE
5	WC-2401	ELBOW, 1/4 x 3/8 FLARE
6	WC- 826L*	VALVE, INLET 1.0 GPM 120V
6A	WC- 856	VALVE, INLET 1.0 GPM 220V
7	WC- 889-101*	VALVE, DUMP LEFT 120V 12W
7A	WC- 860	VALVE, LIQUID DISPENSING LEFT 220VAC 12W
8	WC-29025	SPRAYHEAD, PURPLE ENHANCED FLOW
8A	WC-29050	SPRAYHEAD, AMBER (OPTIONAL)
9	WC-37252	KIT, HOT WATER FAUCET REPLACEMENT ALPGT
10	WC-1806	SEAT CUP, SILICONE (USE WITH WC-1809 FAUCET)
11	WC-5970	COVER, BACK CTR WRAP ALPHA GT
12	WC-3518	LEG, GLIDE 3/8"-16 STUD SCREW
12A	WC-3503	LEG, SCREW BUMPER (3/8")
13	WC-37135*	KIT, WARMER ELEMENT 100W 120V W/PLATE
13A	WC- 975*	WARMER ASSEMBLY COMPLETE, 100W 220V
14	WC-3621-101	BREWCONE, 7 ³ / ₈ " BLK
14A	WC-3316	BREWCONE, ASSY S.S. (OPTIONAL)
15	WC-5310*	TUBING, 5/16 ID SILICONE GEN USE
16	WC-5853-102	COVER, TOP HEATING TANK
16A	WC-5851	LID, HEATING TANK (OLDER UNITS)
17	WC-37278*	KIT, LIQUID LEVEL PROBE GT
18	WC-1438-101*	SENSOR, TEMPERATURE
19	WC-5231*	COMPOUND, SILICONE 5 OZ TUBE
20	WC- 917-04*	HEATING ELEMENT, 1.45kW 120V W/JAMNUTS & WSHRS
21	WC-523*	THERMOSTAT, MANUAL RESET 120/240VAC 25A 220° F MAX
21A	WC-522	THERMOSTAT, HI LIMIT HEATER CONTROL DPST 277V 40A
22	WC-6289	HEATING TANK CMPLT, 120V W/WC-523 HIGH LIMIT THERM.
22A	WC-6285	HEATING TANK CMPLT, 120/220V (DUAL VOLTAGE)
22B	WC-6267	HEATING TANK, COMPLETE, 220V
23	WC-3765L*	KIT, VALVE REPAIR (USE WITH WC-826, WATER INLET VLV)
24	WC-3763*	KIT, VALVE REPAIR (USE WITH WC-889, DUMP VALVE)
25	WC-8591	CAPACITOR, X2 USED ON ALL ADS (NOT SHOWN)
26	WC- 165*	SWITCH, WARMER RED SPST ALP5GT/10GT (NOT SHOWN)
27	WC-8556	HEAT SINK ASSEMBLY DV ALPHDS D500AP TCTD/PTTD

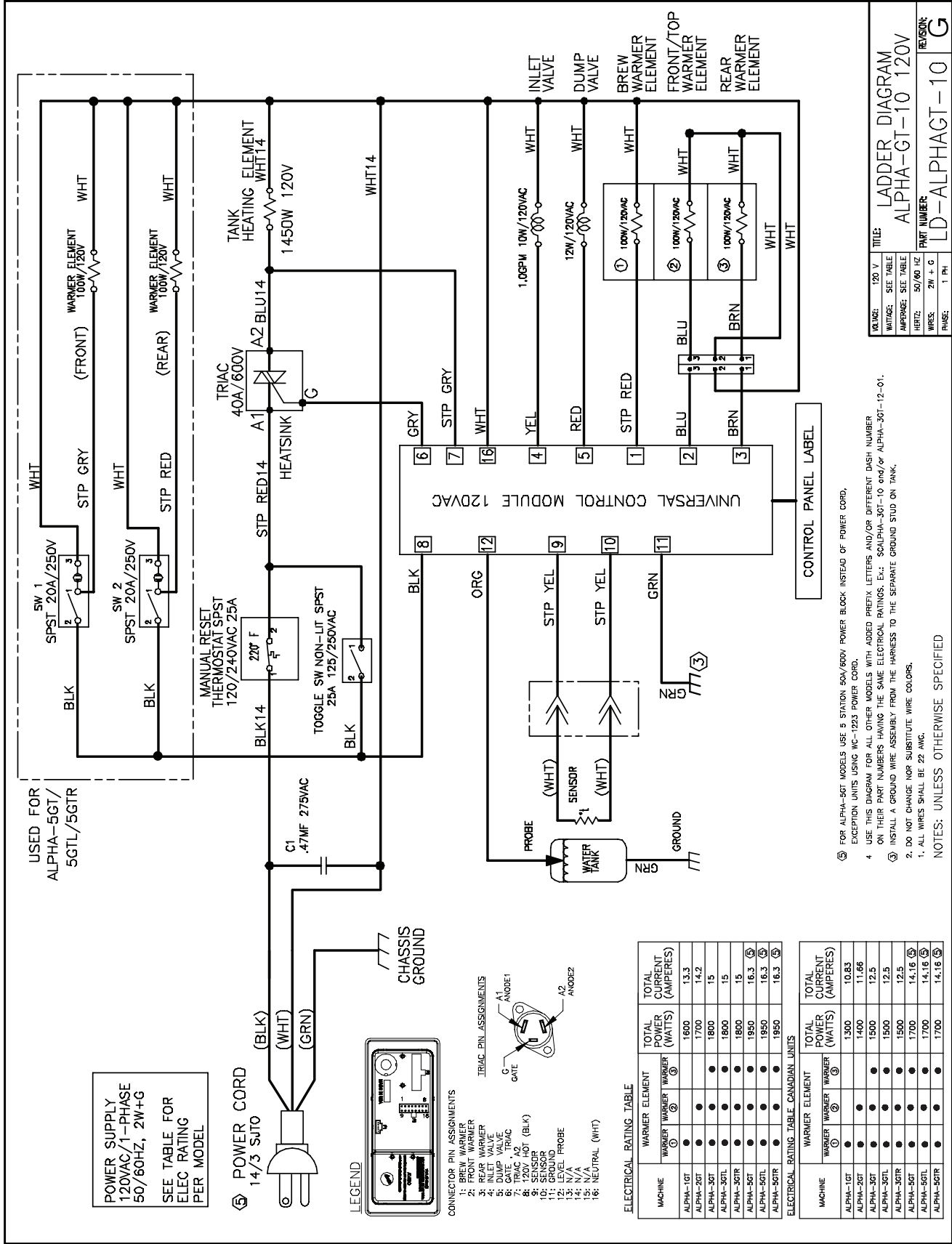
* SUGGESTED PARTS TO STOCK

ILLUSTRATED PARTS LIST ALPHA GT

Alpha 1GT Model Shown. Other Models
Identical Except Where Noted.

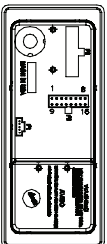
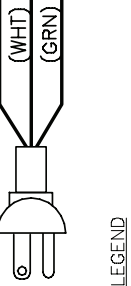


ELECTRICAL SCHEMATIC



POWER SUPPLY
120VAC/1-PHASE
50/60HZ, 2W+G
SEE TABLE FOR
ELEC RATING
PER MODEL

⑤ POWER CORD
14/3 SUTO



- CONNECTOR PIN ASSIGNMENTS
- 1: BREW WARMER
 - 2: FRONT WARMER
 - 3: REAR WARMER
 - 4: INLET VALVE
 - 5: DUMP VALVE
 - 6: GATE, TRIAC
 - 7: TRIAC A2
 - 8: TRIAC A1
 - 9: SENSOR
 - 10: SENSOR
 - 11: GROUND
 - 12: LEVEL PROBE
 - 13: N/A
 - 14: N/A
 - 15: N/A
 - 16: NEUTRAL (WHT)
- TRIAC PIN ASSIGNMENTS
-

ELECTRICAL RATING TABLE

MACHINE	WARMER ELEMENT WARMER WARMER WARMER ① ② ③	TOTAL POWER (WATTS)	TOTAL CURRENT (AMPERES)
ALPHA-10T	● ● ●	1600	13.3
ALPHA-20T	● ● ●	1700	14.2
ALPHA-30T	● ● ●	1800	15
ALPHA-30TL	● ● ●	1800	15
ALPHA-30TR	● ● ●	1800	15
ALPHA-50T	● ● ●	1950	16.3
ALPHA-50TL	● ● ●	1950	16.3
ALPHA-50TR	● ● ●	1950	16.3

ELECTRICAL RATING TABLE CANADIAN UNITS

MACHINE	WARMER ELEMENT WARMER WARMER WARMER ① ② ③	TOTAL POWER (WATTS)	TOTAL CURRENT (AMPERES)
ALPHA-10T	● ● ●	1300	10.83
ALPHA-20T	● ● ●	1400	11.66
ALPHA-30T	● ● ●	1500	12.5
ALPHA-30TL	● ● ●	1500	12.5
ALPHA-30TR	● ● ●	1500	12.5
ALPHA-50T	● ● ●	1700	14.16
ALPHA-50TL	● ● ●	1700	14.16
ALPHA-50TR	● ● ●	1700	14.16

⑤ FOR ALPHA-50T MODELS USE 5 STATION 50W/600V POWER BLOCK INSTEAD OF POWER CORD.
EXCEPTION UNITS USING WC-1223 POWER CORD.

4 USE THIS DIAGRAM FOR ALL OTHER MODELS WITH ADDED PREFIX LETTERS AND/OR DIFFERENT DASH NUMBER ON THEIR PART NUMBERS HAVING THE SAME ELECTRICAL RATINGS. EX: 5CALPHA-30T-10 and/or ALPHA-30T-12-01.

③ INSTALL A GROUND WIRE ASSEMBLY FROM THE HARNESS TO THE SEPARATE GROUND STUD ON TANK.

2. DO NOT CHANGE WIRE SUBSTITUTION WIRE COLORS.

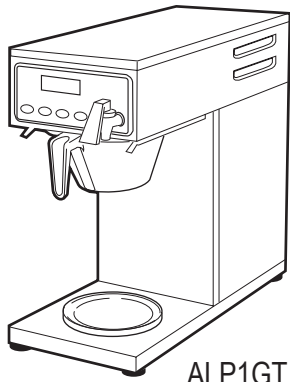
1. ALL WIRES SHALL BE 22 AWG.

NOTES: UNLESS OTHERWISE SPECIFIED

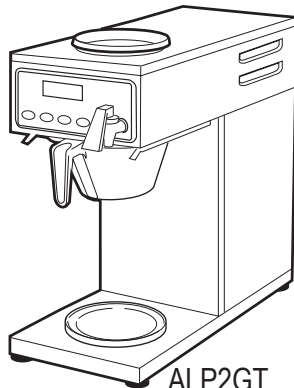
VOLTS:	120 V
WATTS:	SEE TABLE
AMPERAGE:	SEE TABLE
FREQ:	50/60 HZ
WIRING:	2W + G
PHASE:	1 PH

TITLE: LADDER DIAGRAM
ALPHA-GT-10 120V
PART NUMBER: LD-ALPHA-GT-10
REVISION: G

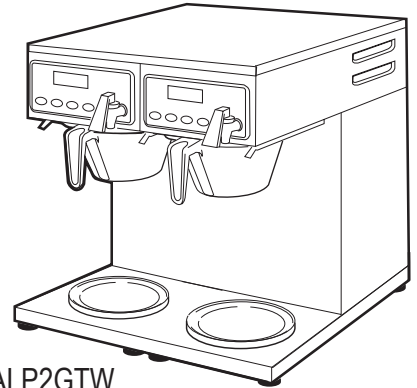
VARIETY OF ALPHA GT BREWERS



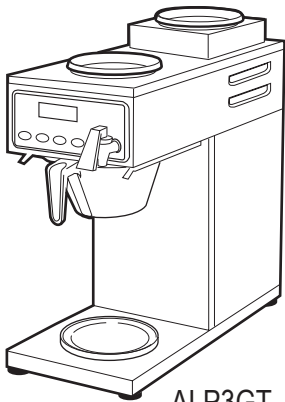
ALP1GT



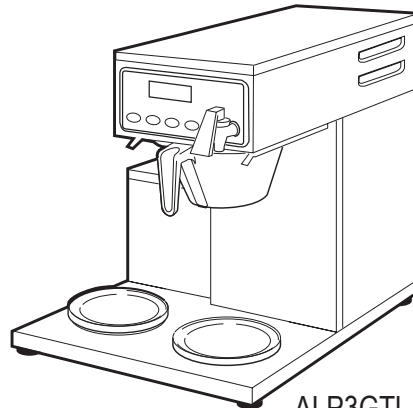
ALP2GT



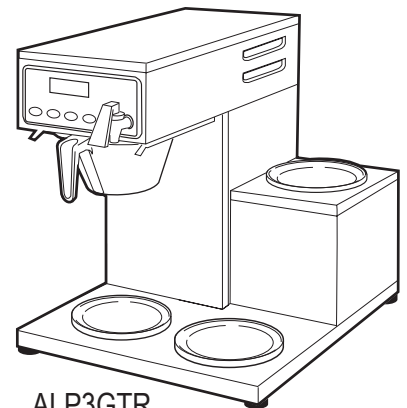
ALP2GTW



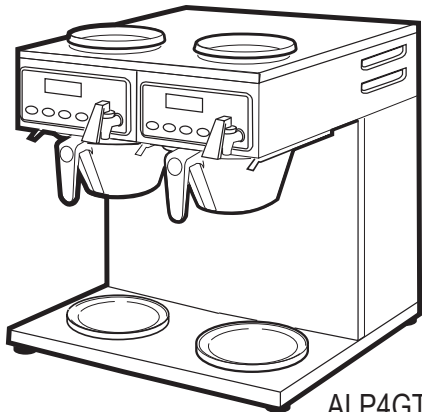
ALP3GT



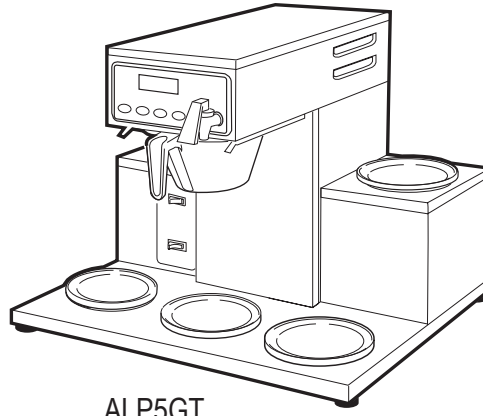
ALP3GTL



ALP3GTR



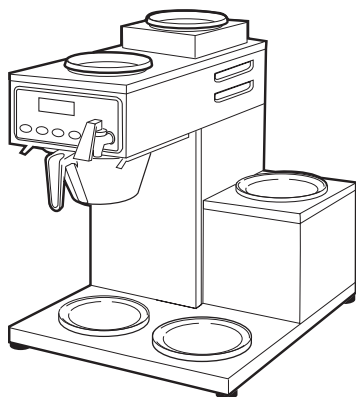
ALP4GT



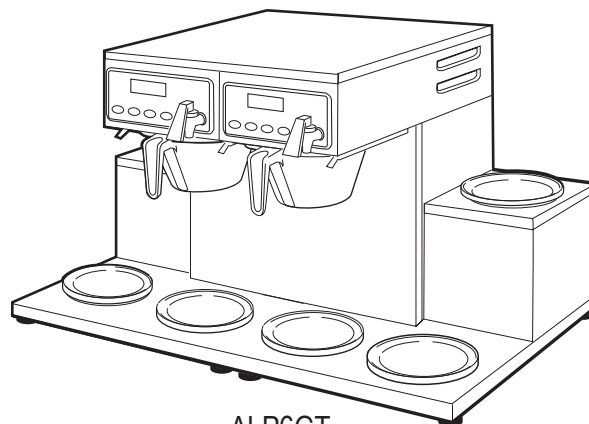
ALP5GT



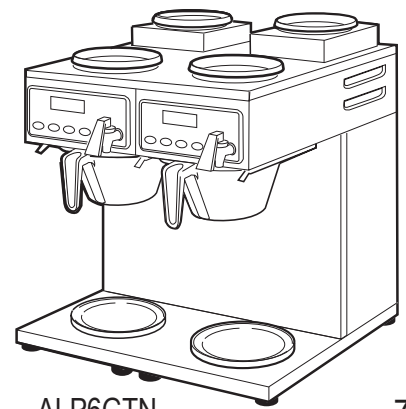
ALP5GTL



ALP5GTR



ALP6GT



ALP6GTN

Product Warranty Information

The Wilbur Curtis Company certifies that its products are free from defects in material and workmanship under normal use. The following limited warranties and conditions apply:

3 Years, Parts and Labor, from Original Date of Purchase on digital control boards.

2 Years, Parts, from Original Date of Purchase on all other electrical components, fittings and tubing.

1 Year, Labor, from Original Date of Purchase on all electrical components, fittings and tubing.

Additionally, the Wilbur Curtis Company warrants its Grinding Burrs for Forty (40) months from date of purchase or 40,000 pounds of coffee, whichever comes first. Stainless Steel components are warranted for two (2) years from date of purchase against leaking or pitting and replacement parts are warranted for ninety (90) days from date of purchase or for the remainder of the limited warranty period of the equipment in which the component is installed.

All in-warranty service calls must have prior authorization. For Authorization, call the Technical Support Department at 1-800-995-0417. Effective date of this policy is April 1, 2003.

Additional conditions may apply. Go to www.wilburcurtis.com to view the full product warranty information.

CONDITIONS & EXCEPTIONS

The warranty covers original equipment at time of purchase only. The Wilbur Curtis Company, Inc., assumes no responsibility for substitute replacement parts installed on Curtis equipment that have not been purchased from the Wilbur Curtis Company, Inc. The Wilbur Curtis Company will not accept any responsibility if the following conditions are not met. The warranty does not cover and is void under the following circumstances:

- 1) Improper operation of equipment: The equipment must be used for its designed and intended purpose and function.
- 2) Improper installation of equipment: This equipment must be installed by a professional technician and must comply with all local electrical, mechanical and plumbing codes.
- 3) Improper voltage: Equipment must be installed at the voltage stated on the serial plate supplied with this equipment.
- 4) Improper water supply: This includes, but is not limited to, excessive or low water pressure, and inadequate or fluctuating water flow rate.
- 5) Adjustments and cleaning: The resetting of safety thermostats and circuit breakers, programming and temperature adjustments are the responsibility of the equipment owner. The owner is responsible for proper cleaning and regular maintenance of this equipment.
- 6) Damaged in transit: Equipment damaged in transit is the responsibility of the freight company and a claim should be made with the carrier.
- 7) Abuse or neglect (including failure to periodically clean or remove lime accumulations): Manufacturer is not responsible for variation in equipment operation due to excessive lime or local water conditions. The equipment must be maintained according to the manufacturer's recommendations.
- 8) Replacement of items subject to normal use and wear: This shall include, but is not limited to, light bulbs, shear disks, "O" rings, gaskets, silicone tube, canister assemblies, whipper chambers and plates, mixing bowls, agitation assemblies and whipper propellers.
- 9) Repairs and/or Replacements are subject to our decision that the workmanship or parts were faulty and the defects showed up under normal use. All labor shall be performed during regular working hours. Overtime charges are the responsibility of the owner. Charges incurred by delays, waiting time, or operating restrictions that hinder the service technician's ability to perform service is the responsibility of the owner of the equipment. This includes institutional and correctional facilities. The Wilbur Curtis Company will allow up to 100 miles, round trip, per in-warranty service call.

RETURN MERCHANDISE AUTHORIZATION: All claims under this warranty must be submitted to the Wilbur Curtis Company Technical Support Department prior to performing any repair work or return of this equipment to the factory. All returned equipment must be repackaged properly in the original carton. No units will be accepted if they are damaged in transit due to improper packaging. **NO UNITS OR PARTS WILL BE ACCEPTED WITHOUT A RETURN MERCHANDISE AUTHORIZATION (RMA). RMA NUMBER MUST BE MARKED ON THE CARTON OR SHIPPING LABEL.** All in-warranty service calls must be performed by an authorized service agent. Call the Wilbur Curtis Technical Support Department to find an agent near you.



WILBUR CURTIS CO., INC.

6913 Acco St., Montebello, CA 90640-5403 USA

Phone: 800/421-6150 Fax: 323-837-2410

Technical Support Phone: 800/995-0417 (M-F 5:30A - 4:00P PST) E-Mail: techsupport@wilburcurtis.com

Web Site: www.wilburcurtis.com

FOR THE LATEST SPECIFICATION INFORMATION GO TO WWW.WILBURCURTIS.COM