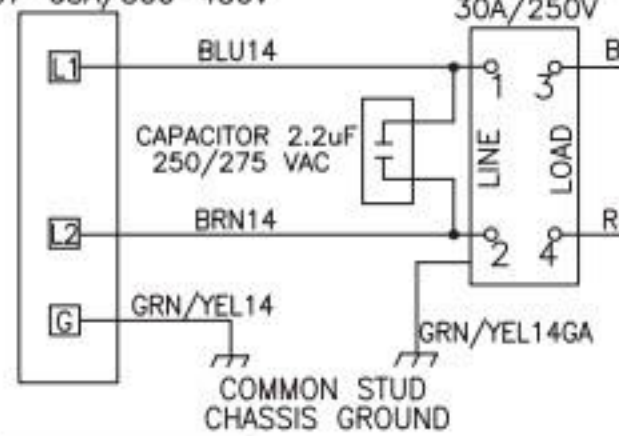


POWER BLOCK
57-65A/300-450V



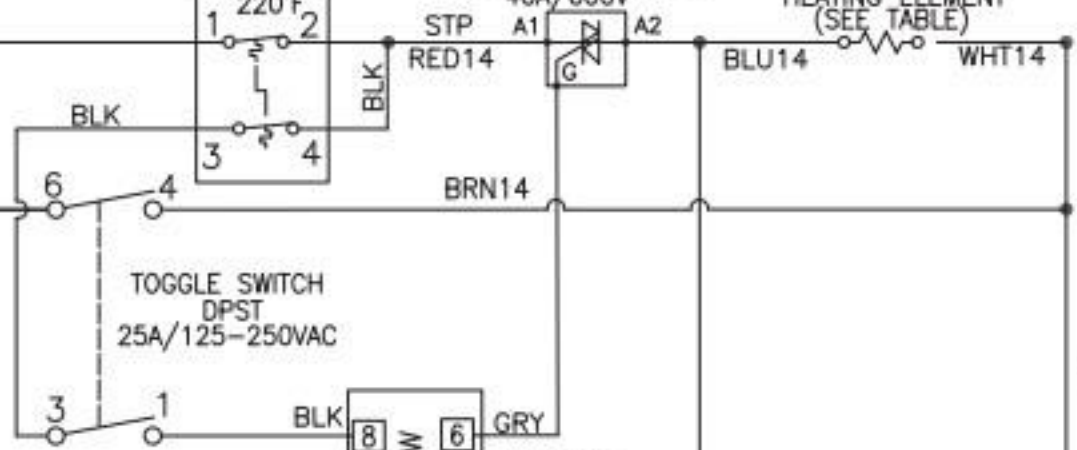
INCOMING POWER
220-240VAC 1PH
2W+G 50/60Hz

EMI FILTER
30A/250V

MANUAL RESET
THERMOSTAT
DPST 40A/277V

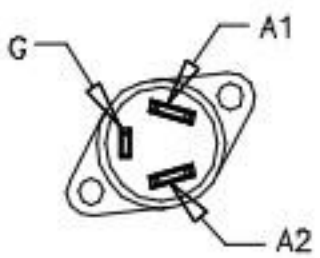
TRIA
HEATSINK ASSEMBLY
40A/600V

HEATING ELEMENT
(SEE TABLE)



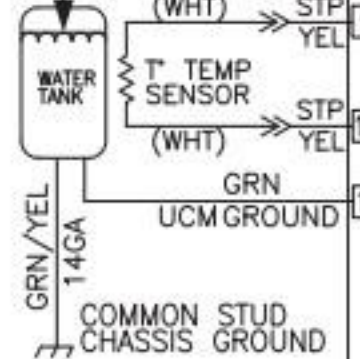
TOGGLE SWITCH
DPST
25A/125-250VAC

TRIA PIN ASSIGNMENTS

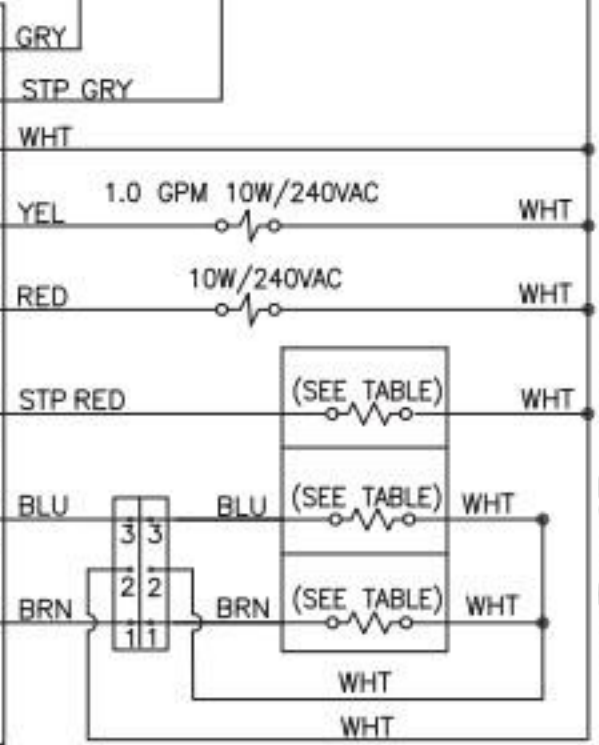


WATER LEVEL
PROBE ASSY

T[°] TEMP
SENSOR



UNIVERSAL CONTROL MODULE 220VAC 5W

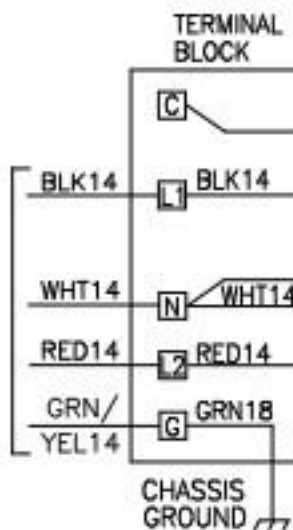


WHT

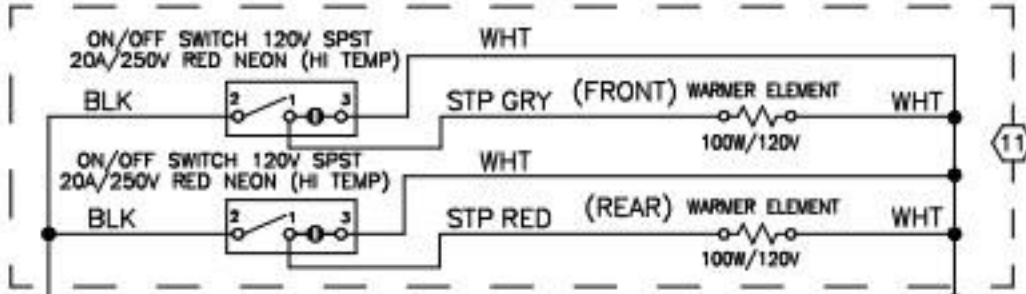
INLET VALVE
BREW VALVE

BREW WARMER ELEMENT
FRONT/TOP WARMER ELEMENT
REAR WARMER ELEMENT

FROM RIGHT BREWER
TERMINAL BLOCK
[SHEET 1]



CAPACITOR
.47MF
275VAC



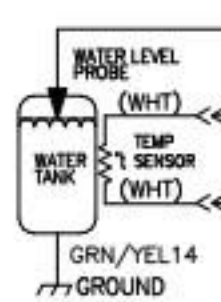
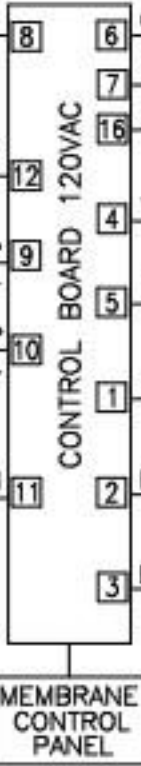
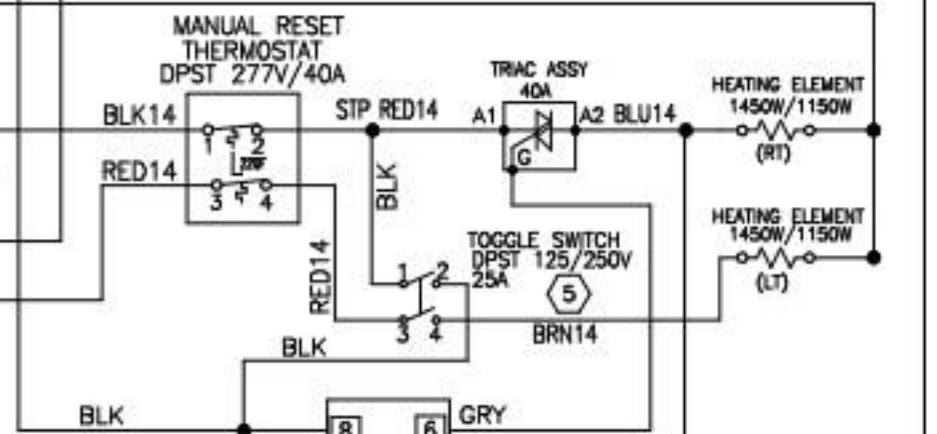
MANUAL RESET
THERMOSTAT
DPST 277V/40A

TRIAC ASSY
40A

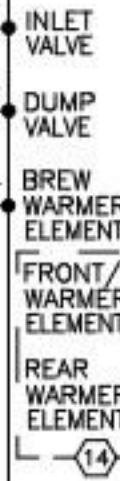
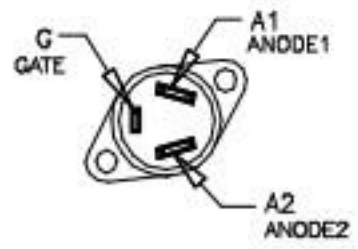
HEATING ELEMENT
1450W/1150W
(RT)

HEATING ELEMENT
1450W/1150W
(LT)

TOGGLE SWITCH
DPST 125/250V
25A



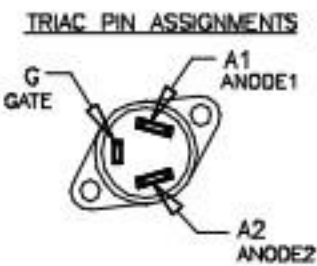
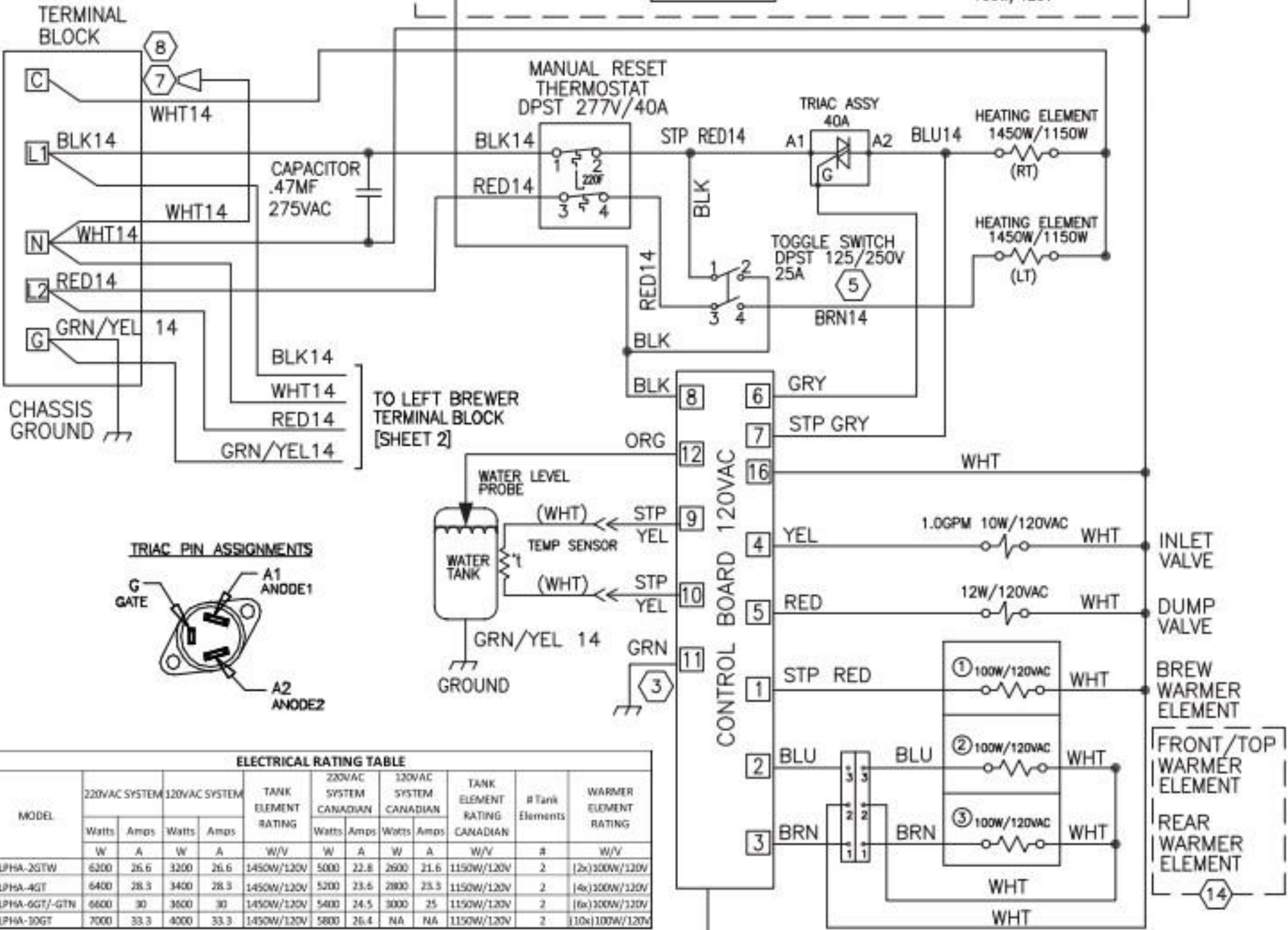
TRIAC PIN ASSIGNMENTS



11

14

INCOMING POWER
SEE ELECTRICAL RATING
TABLE FOR SPECIFIC MODELS



ELECTRICAL RATING TABLE

MODEL	220VAC SYSTEM		120VAC SYSTEM		TANK ELEMENT RATING	220VAC SYSTEM CANADIAN		120VAC SYSTEM CANADIAN		TANK ELEMENT RATING CANADIAN	# Tank Elements	WARMER ELEMENT RATING
	Watts	Amps	Watts	Amps		Watts	Amps	Watts	Amps			
	W	A	W	A		W/V	W	A	W			
ALPHA-2GTW	6200	26.6	3200	26.6	1450W/120V	5000	22.8	2600	21.6	1150W/120V	2	(2x)300W/120V
ALPHA-4GT	6400	28.3	3400	28.3	1450W/120V	5200	23.6	2800	23.3	1150W/120V	2	(4x)300W/120V
ALPHA-6GT/-GTN	6600	30	3600	30	1450W/120V	5400	24.5	3000	25	1150W/120V	2	(6x)300W/120V
ALPHA-10GT	7000	33.3	4000	33.3	1450W/120V	5800	26.4	NA	NA	1150W/120V	2	(10x)100W/120V

MEMBRANE CONTROL PANEL

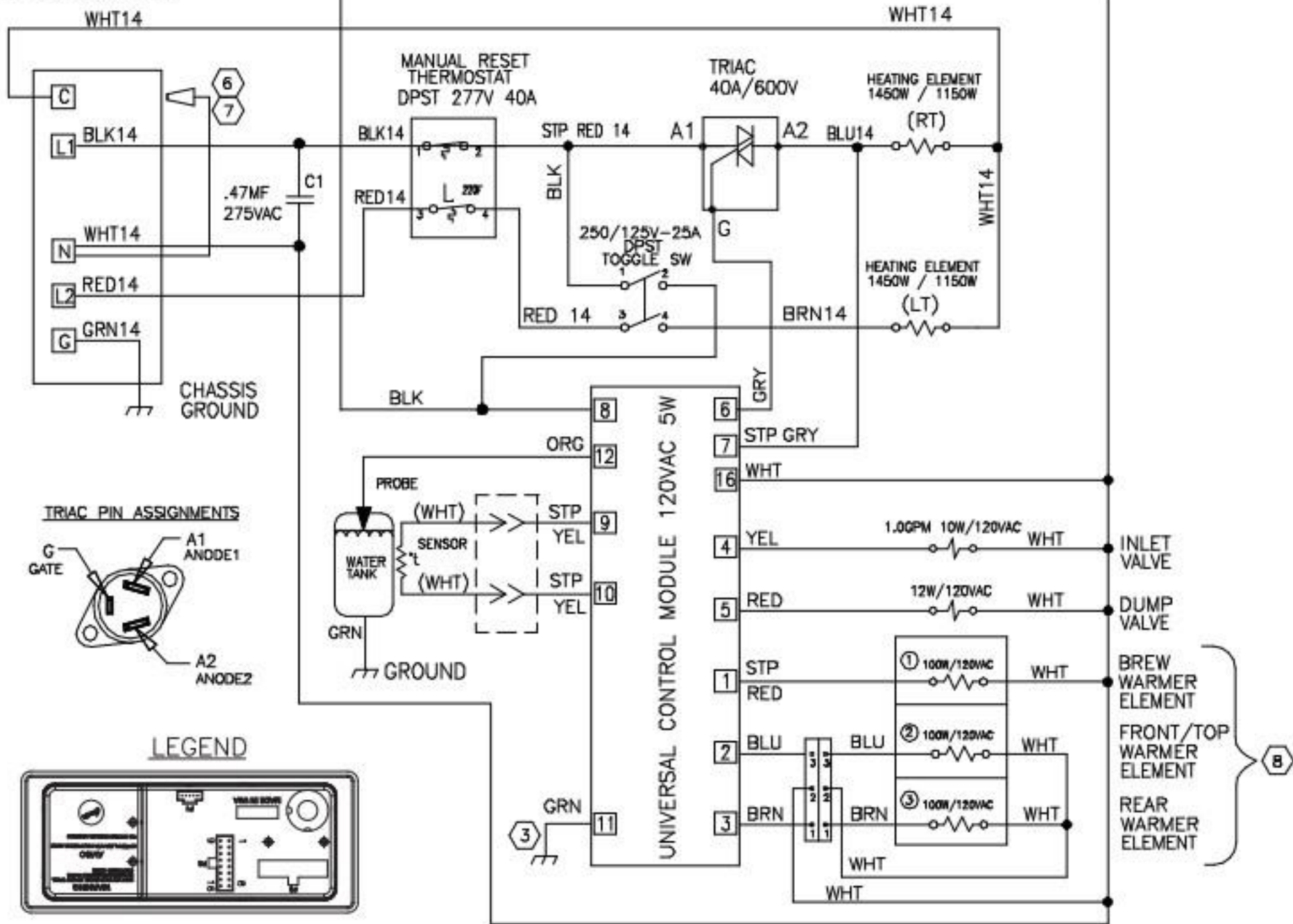
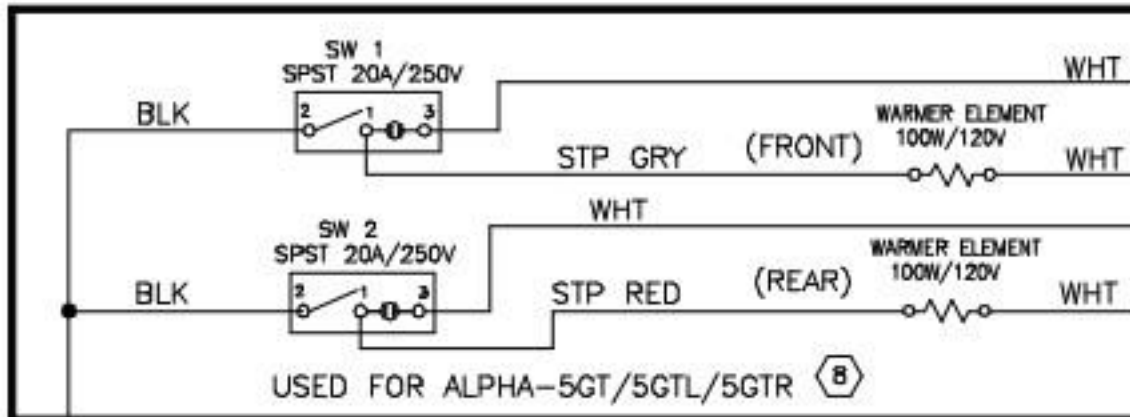
UCM Pin Assignments
16 Pin Connector

1	BREW WARMER
---	-------------

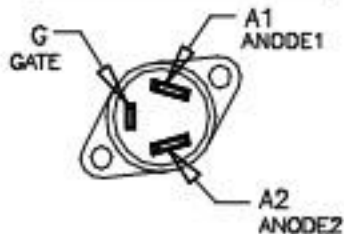
POWER SUPPLY
DUAL VOLTAGE
120/220VAC
1-PH, 50/60HZ
2W/3W+G

(SEE TABLE FOR
ELEC RATING
PER MODEL)

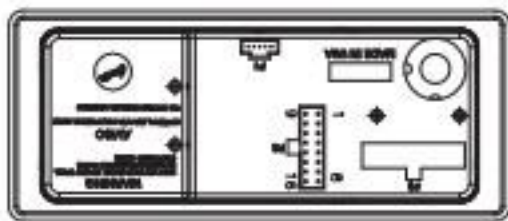
TERMINAL BLOCK
5 STA 50A/600V



TRIAC PIN ASSIGNMENTS



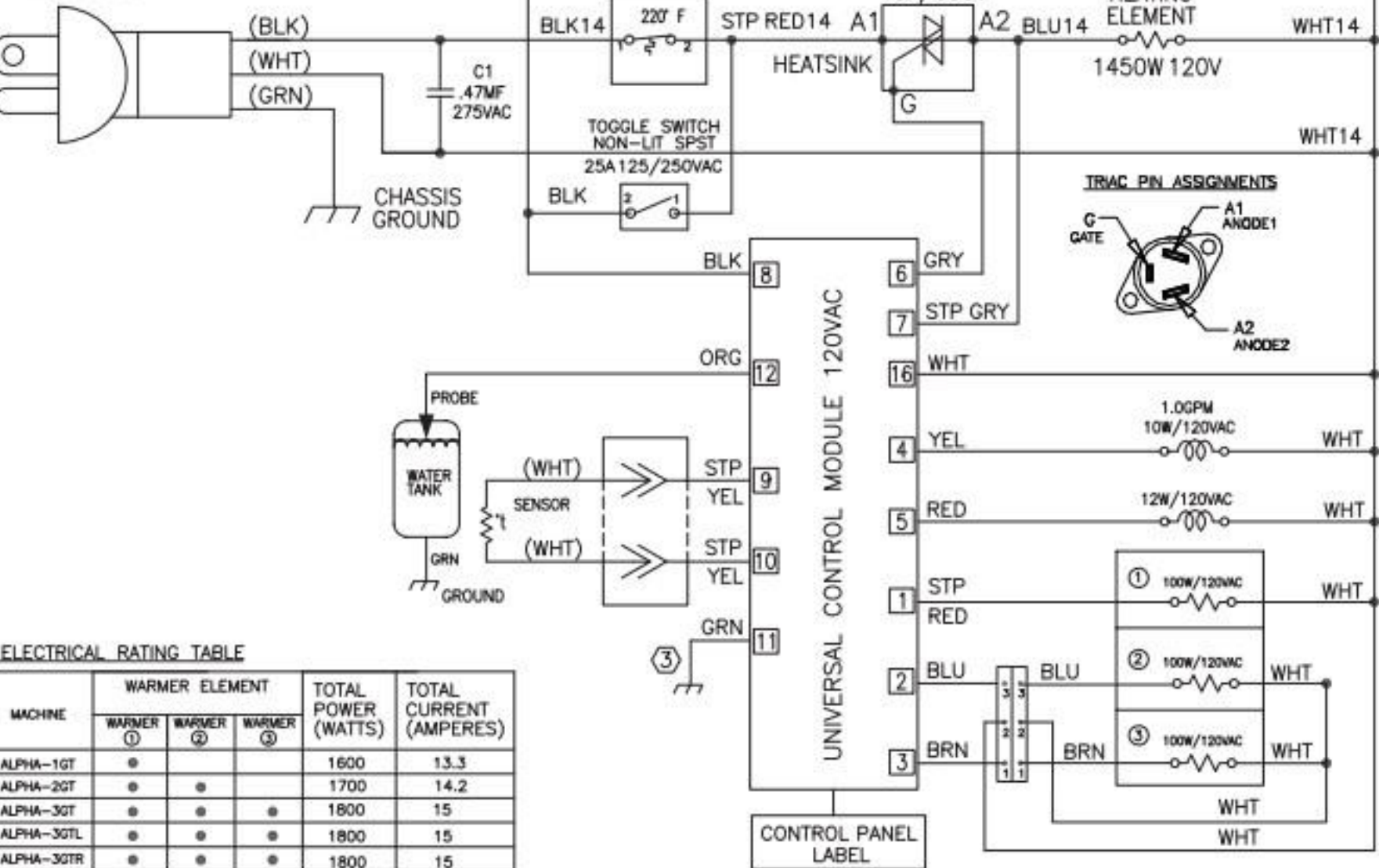
LEGEND



POWER SUPPLY
120VAC/1-PHASE
50/60HZ, 2W+G

SEE TABLE FOR
ELEC RATING
PER MODEL

⑤ POWER CORD
14/3 SJTO



ELECTRICAL RATING TABLE

MACHINE	WARMER ELEMENT			TOTAL POWER (WATTS)	TOTAL CURRENT (AMPERES)
	WARMER ①	WARMER ②	WARMER ③		
ALPHA-1GT	●			1600	13.3
ALPHA-2GT	●	●		1700	14.2
ALPHA-3GT	●	●	●	1800	15
ALPHA-3GTL	●	●	●	1800	15
ALPHA-3GTR	●	●	●	1800	15
ALPHA-5GT	●	●	●	1950	16.3