

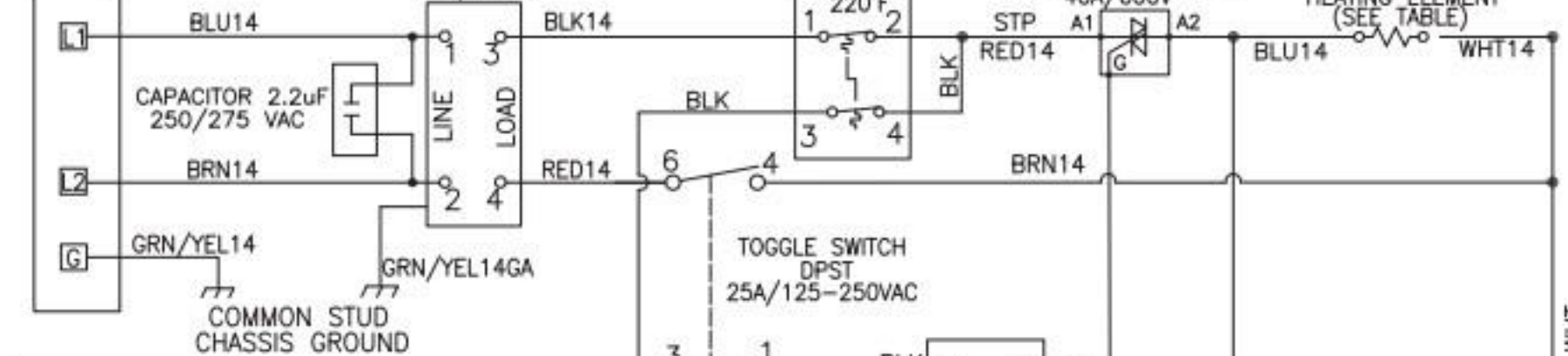
POWER BLOCK  
57-65A/300-450V

EMI FILTER  
30A/250V

MANUAL RESET  
THERMOSTAT  
DPST 40A/277V

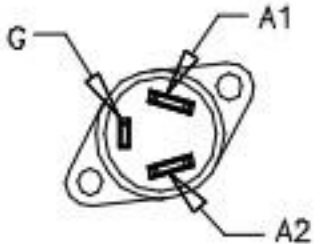
TRIAC  
HEATSINK ASSEMBLY  
40A/600V

HEATING ELEMENT  
(SEE TABLE)

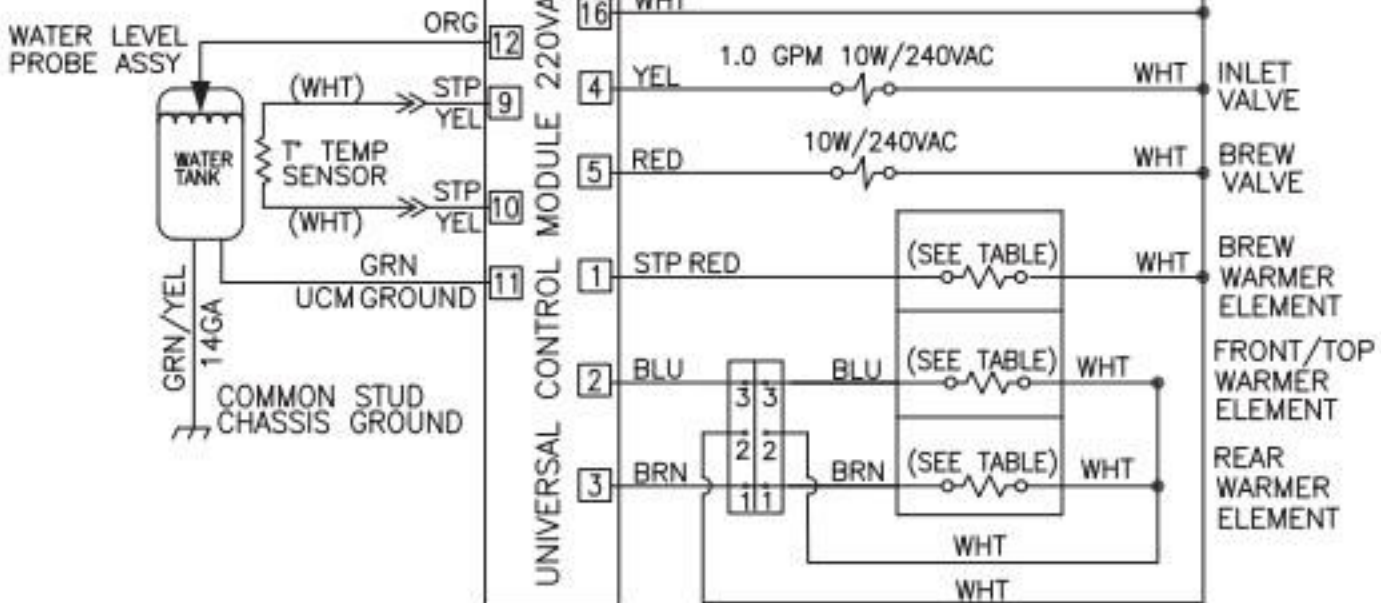
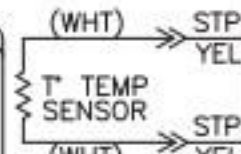


INCOMING POWER  
220-240VAC 1PH  
2W+G 50/60Hz

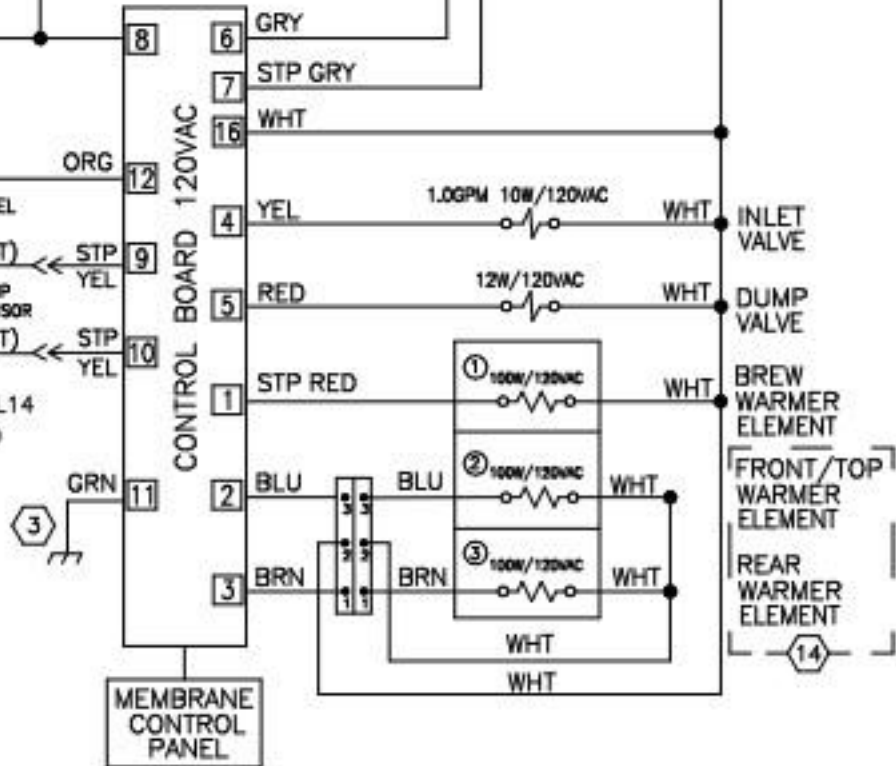
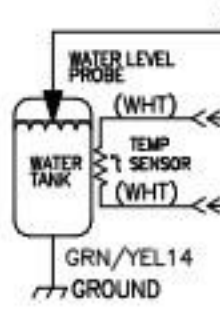
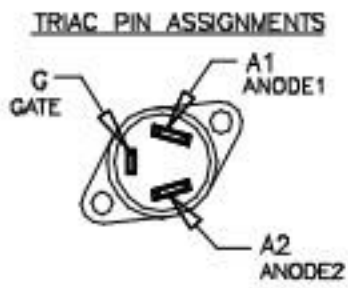
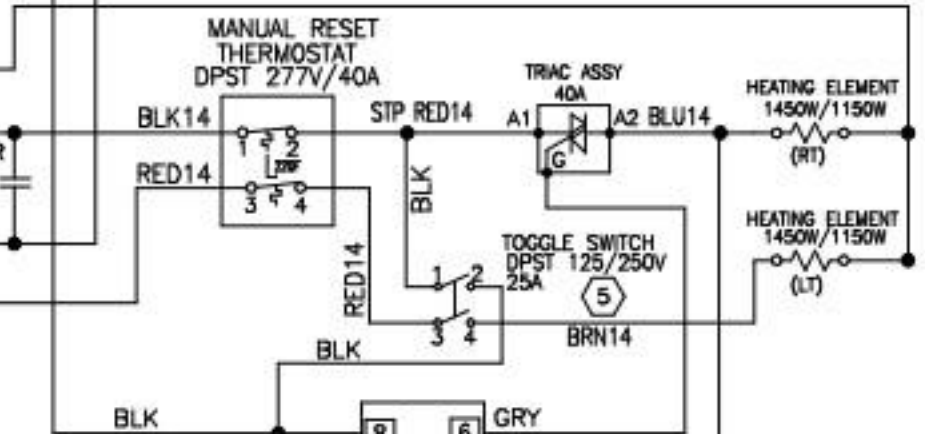
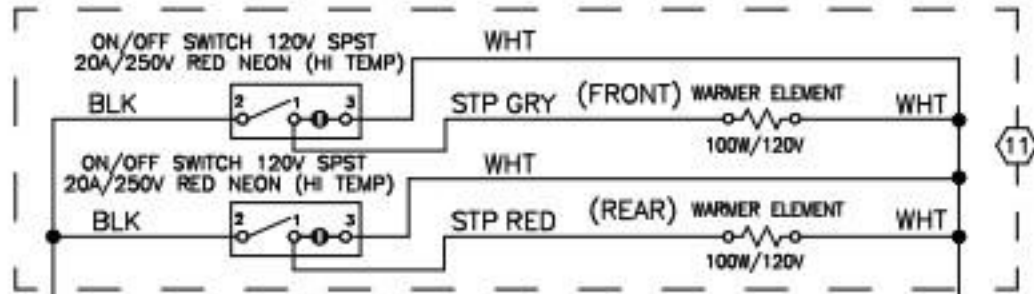
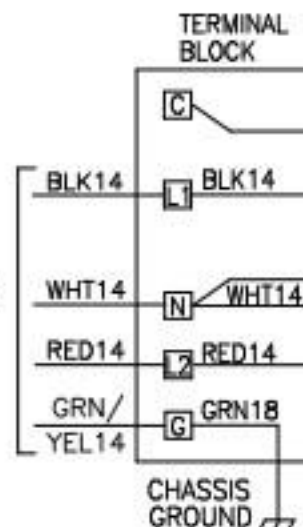
TRIAC PIN ASSIGNMENTS



WATER LEVEL  
PROBE ASSY



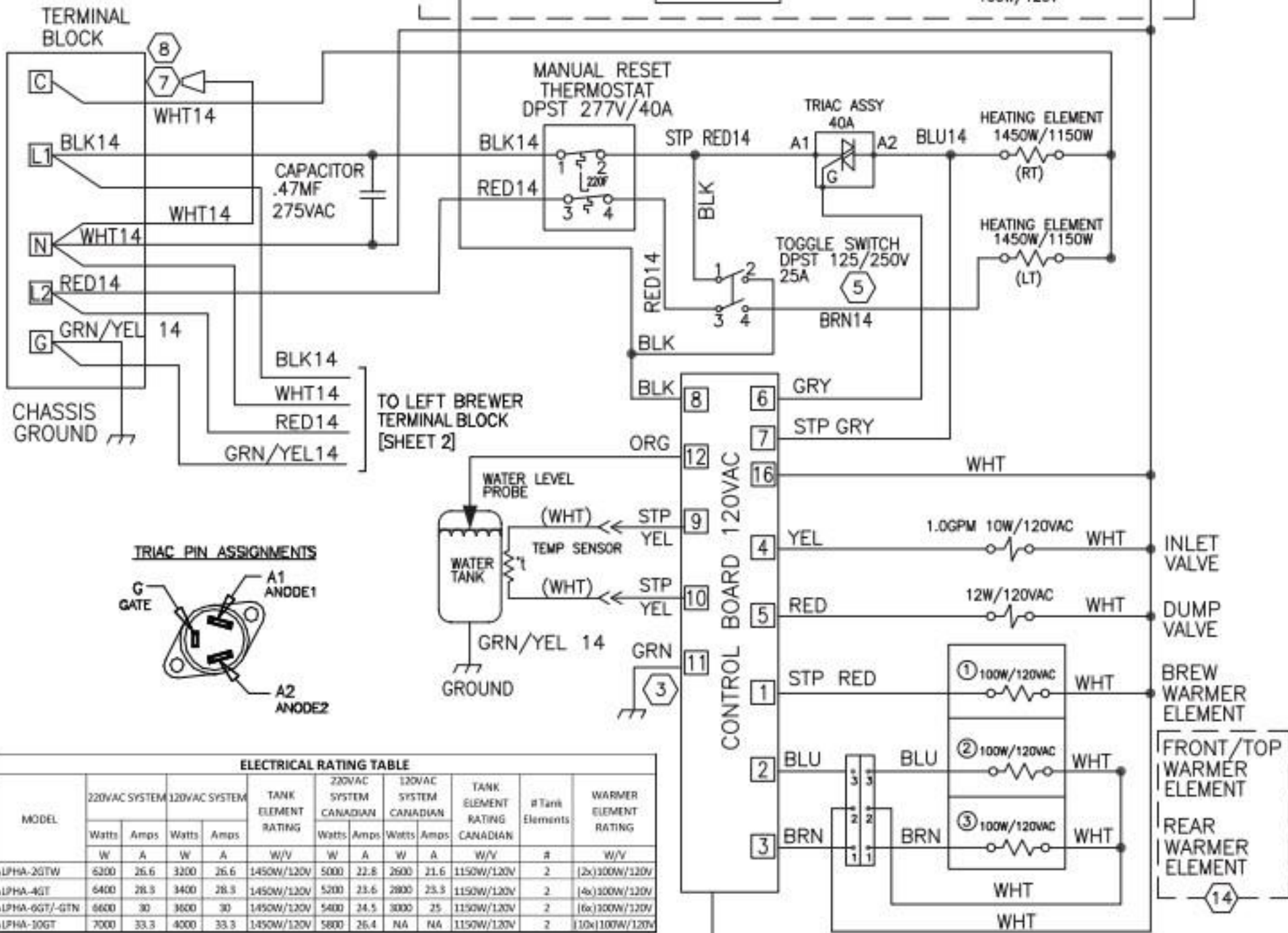
FROM RIGHT BREWER  
TERMINAL BLOCK  
[SHEET 1]



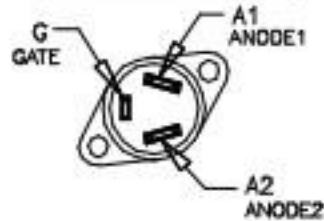
11

14

INCOMING POWER  
SEE ELECTRICAL RATING  
TABLE FOR SPECIFIC MODELS



**TRIAC PIN ASSIGNMENTS**



**ELECTRICAL RATING TABLE**

MODEL	220VAC SYSTEM		120VAC SYSTEM		TANK ELEMENT RATING	220VAC SYSTEM CANADIAN		120VAC SYSTEM CANADIAN		TANK ELEMENT RATING CANADIAN	# Tank Elements	WARMER ELEMENT RATING	
	Watts		Watts			W/V	Watts		Watts				
	W	A	W	A			W	A	W				A
ALPHA-2GTW	6200	26.6	3200	26.6	1450W/120V	5000	22.8	2600	21.6	1150W/120V	2	(2x)300W/120V	
ALPHA-4GT	6400	28.3	3400	28.3	1450W/120V	5200	23.5	2800	23.3	1150W/120V	2	(4x)300W/120V	
ALPHA-6GT/-GTN	6600	30	3600	30	1450W/120V	5400	24.5	3000	25	1150W/120V	2	(6x)300W/120V	
ALPHA-10GT	7000	33.3	4000	33.3	1450W/120V	5800	26.4	NA	NA	1150W/120V	2	(10x)100W/120V	

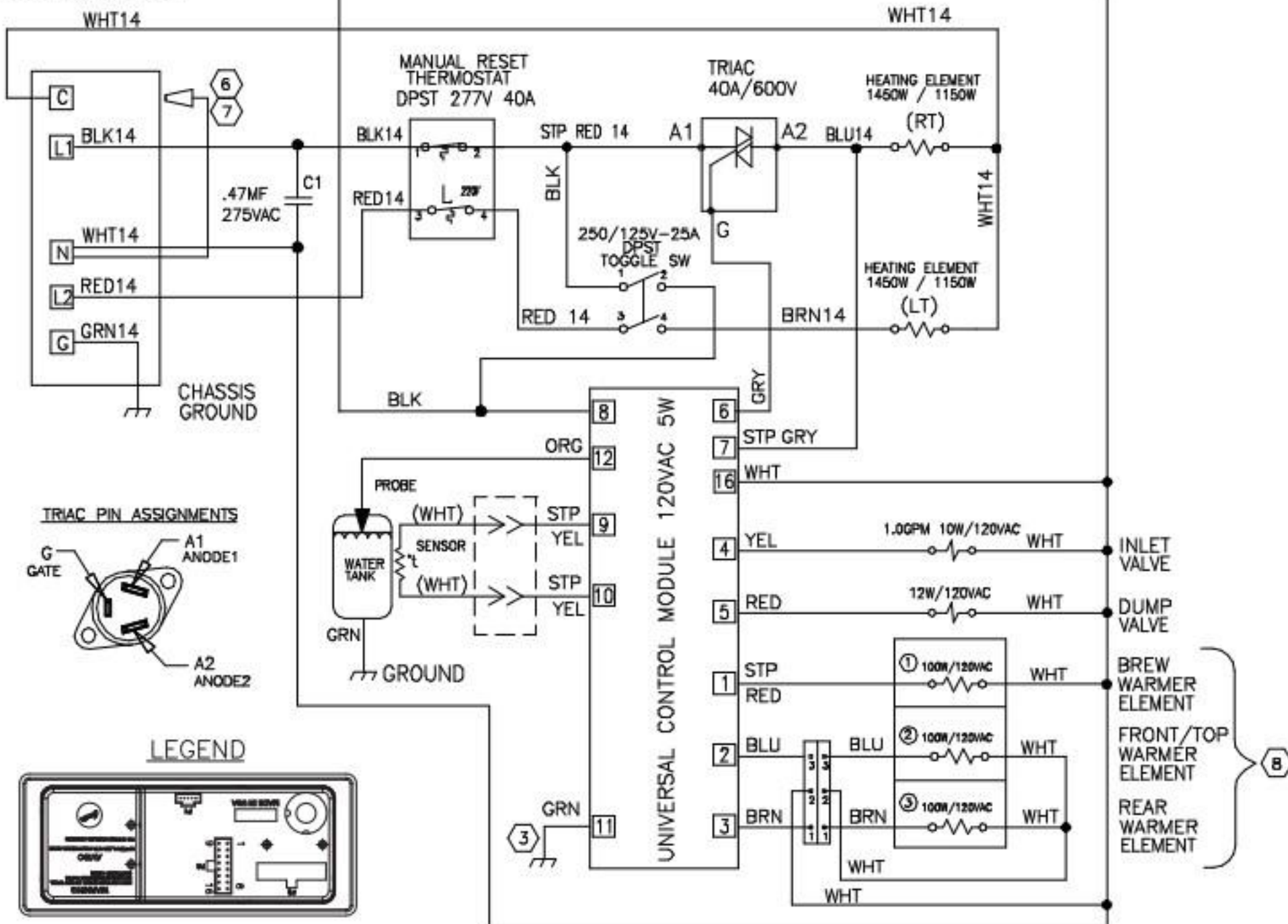
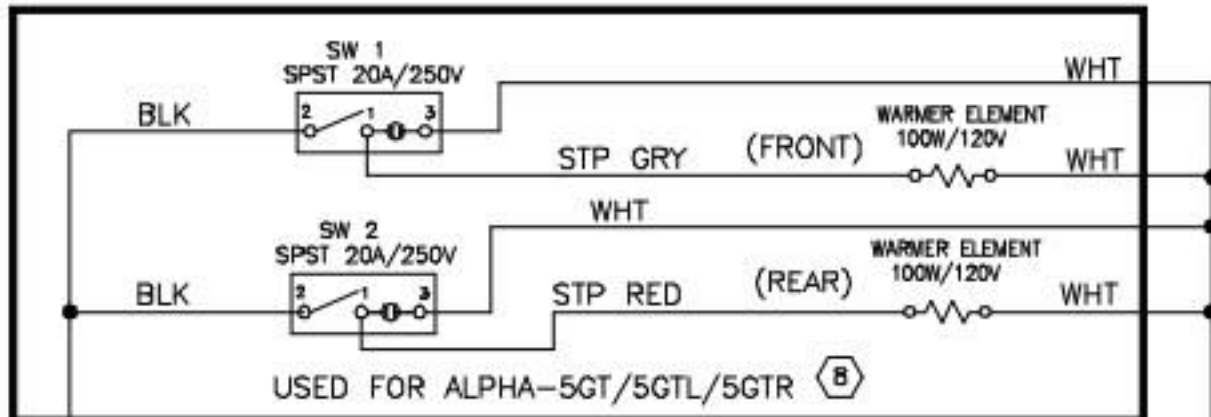
MEMBRANE CONTROL PANEL

UCM Pin Assignments  
16 Pin Connector

POWER SUPPLY  
DUAL VOLTAGE  
120/220VAC  
1-PH, 50/60HZ  
2W/3W+G

(SEE TABLE FOR  
ELEC RATING  
PER MODEL)

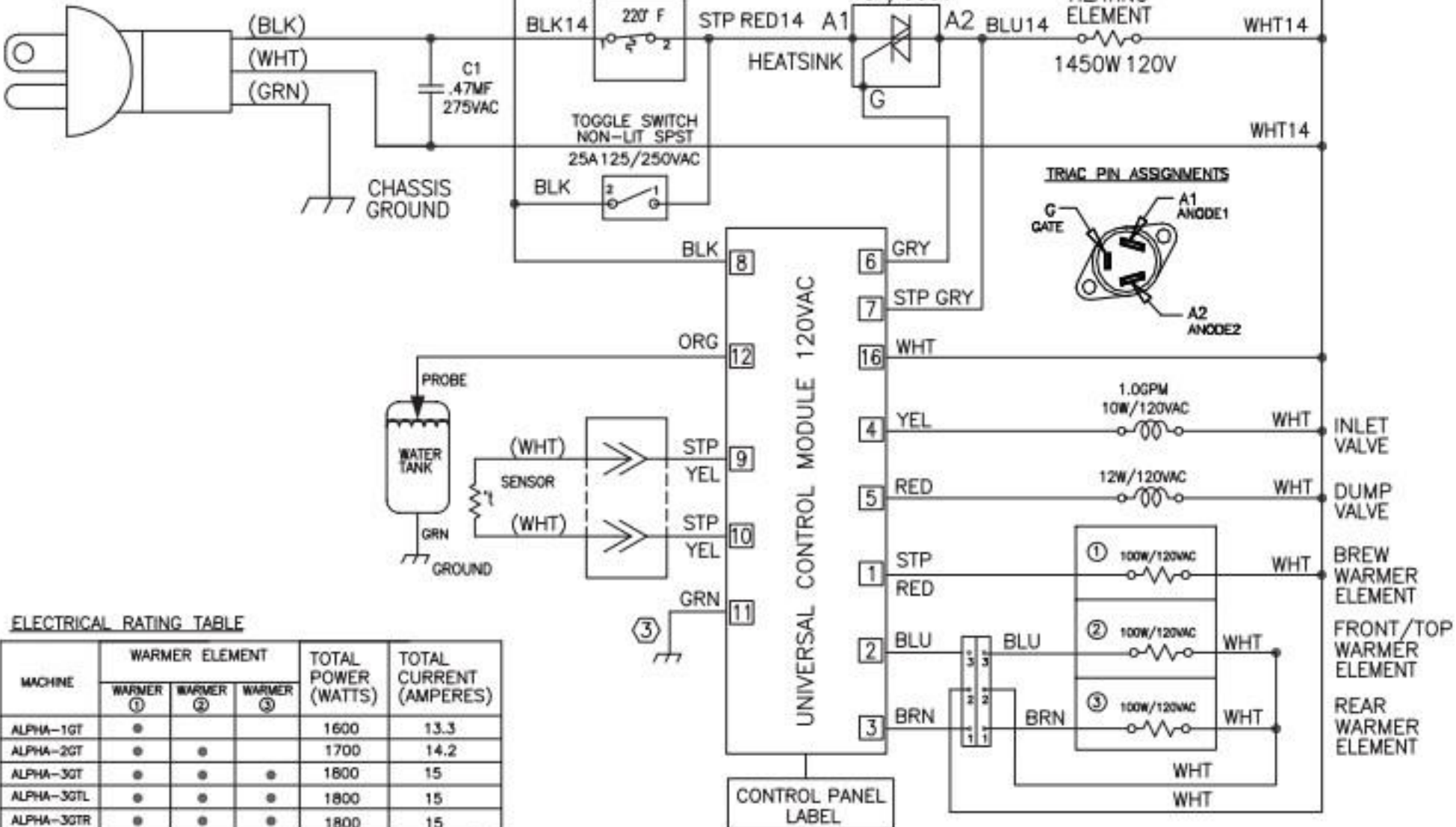
TERMINAL BLOCK  
5 STA 50A/600V



POWER SUPPLY  
120VAC/1-PHASE  
50/60HZ, 2W+G

SEE TABLE FOR  
ELEC RATING  
PER MODEL

⑤ POWER CORD  
14/3 SJTO



ELECTRICAL RATING TABLE

MACHINE	WARMER ELEMENT			TOTAL POWER (WATTS)	TOTAL CURRENT (AMPERES)
	WARMER ①	WARMER ②	WARMER ③		
ALPHA-1GT	●			1600	13.3
ALPHA-2GT	●	●		1700	14.2
ALPHA-3GT	●	●	●	1800	15
ALPHA-3GTL	●	●	●	1800	15
ALPHA-3GTR	●	●	●	1800	15
ALPHA-5GT	●	●	●	1950	16.3 ⑤