

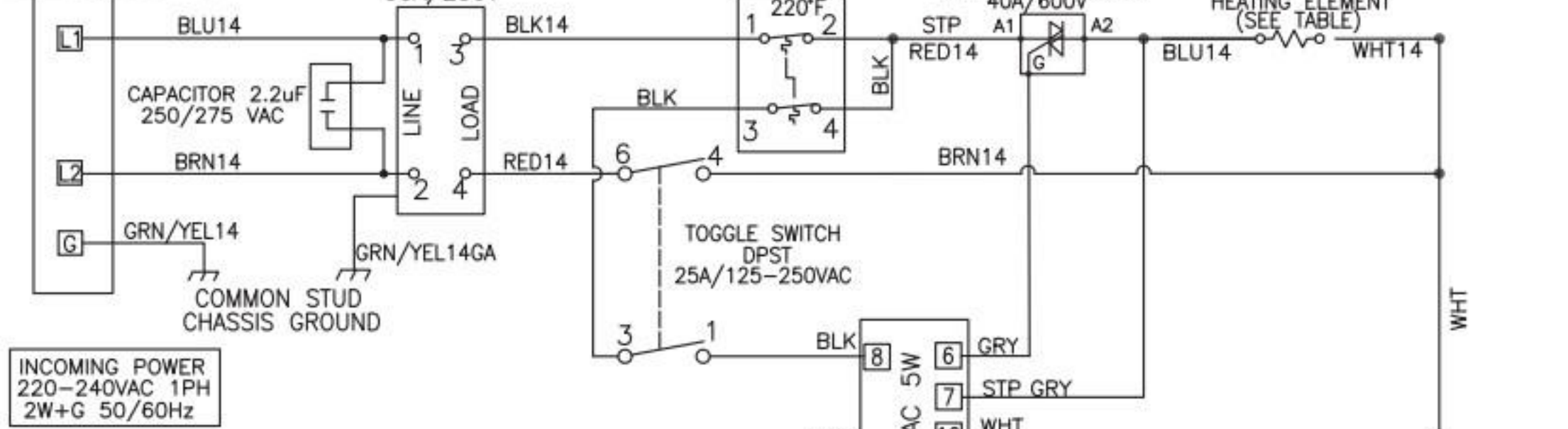
POWER BLOCK  
57-65A/300-450V

EMI FILTER  
30A/250V

MANUAL RESET  
THERMOSTAT  
DPST 40A/277V

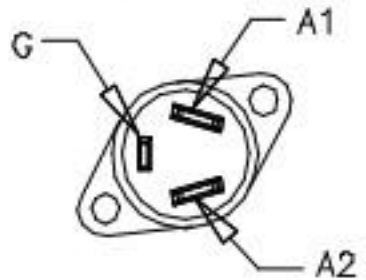
TRIAC  
HEATSINK ASSEMBLY  
40A/600V

HEATING ELEMENT  
(SEE TABLE)



INCOMING POWER  
220-240VAC 1PH  
2W+G 50/60Hz

TRIAC PIN ASSIGNMENTS

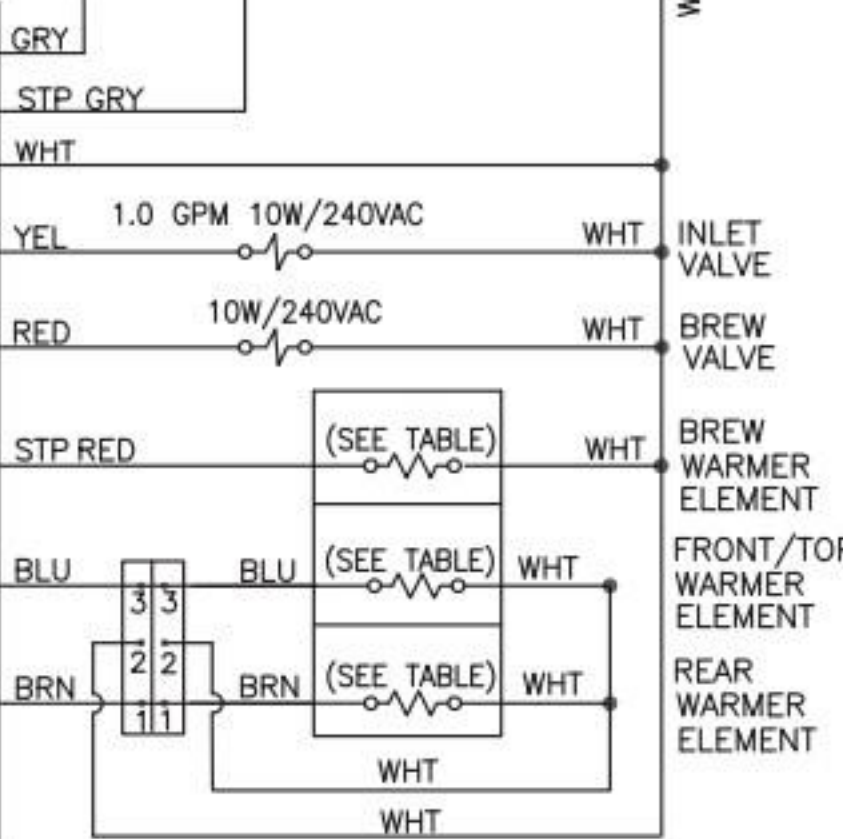


WATER LEVEL  
PROBE ASSY



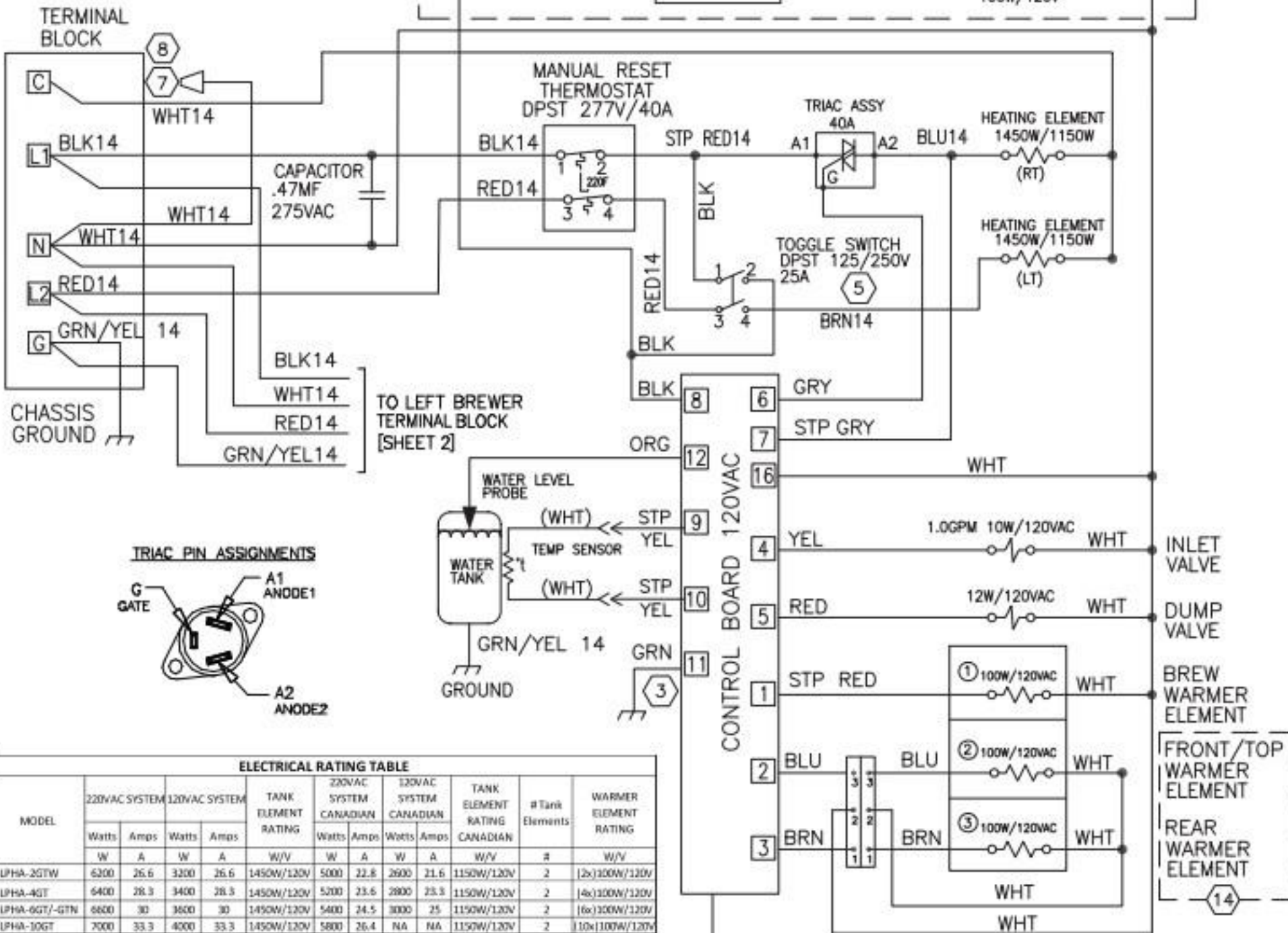
ORG  
12  
9  
10  
11  
1  
2  
3  
GRN  
UCM GROUND  
COMMON STUD  
CHASSIS GROUND

UNIVERSAL CONTROL MODULE 220VAC 5W

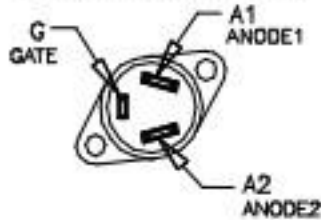




INCOMING POWER  
SEE ELECTRICAL RATING  
TABLE FOR SPECIFIC MODELS



TRIAC PIN ASSIGNMENTS



ELECTRICAL RATING TABLE

MODEL	220VAC SYSTEM		120VAC SYSTEM		TANK ELEMENT RATING	220VAC SYSTEM CANADIAN		120VAC SYSTEM CANADIAN		TANK ELEMENT RATING CANADIAN	# Tank Elements	WARMER ELEMENT RATING
	Watts	Amps	Watts	Amps		Watts	Amps	Watts	Amps			
	W	A	W	A		W/V	W	A	W/V			
ALPHA-2GTW	6200	26.6	3200	26.6	1450W/120V	5000	22.8	2600	21.6	1150W/120V	2	(2x)100W/120V
ALPHA-4GT	6400	28.3	3400	28.3	1450W/120V	5200	23.6	2800	23.3	1150W/120V	2	(4x)100W/120V
ALPHA-6GT/-G7N	6600	30	3600	30	1450W/120V	5400	24.5	3000	25	1150W/120V	2	(6x)100W/120V
ALPHA-10GT	7000	33.3	4000	33.3	1450W/120V	5800	26.4	NA	NA	1150W/120V	2	(10x)100W/120V

MEMBRANE CONTROL PANEL

UCM Pin Assignments

16 Pin Connector

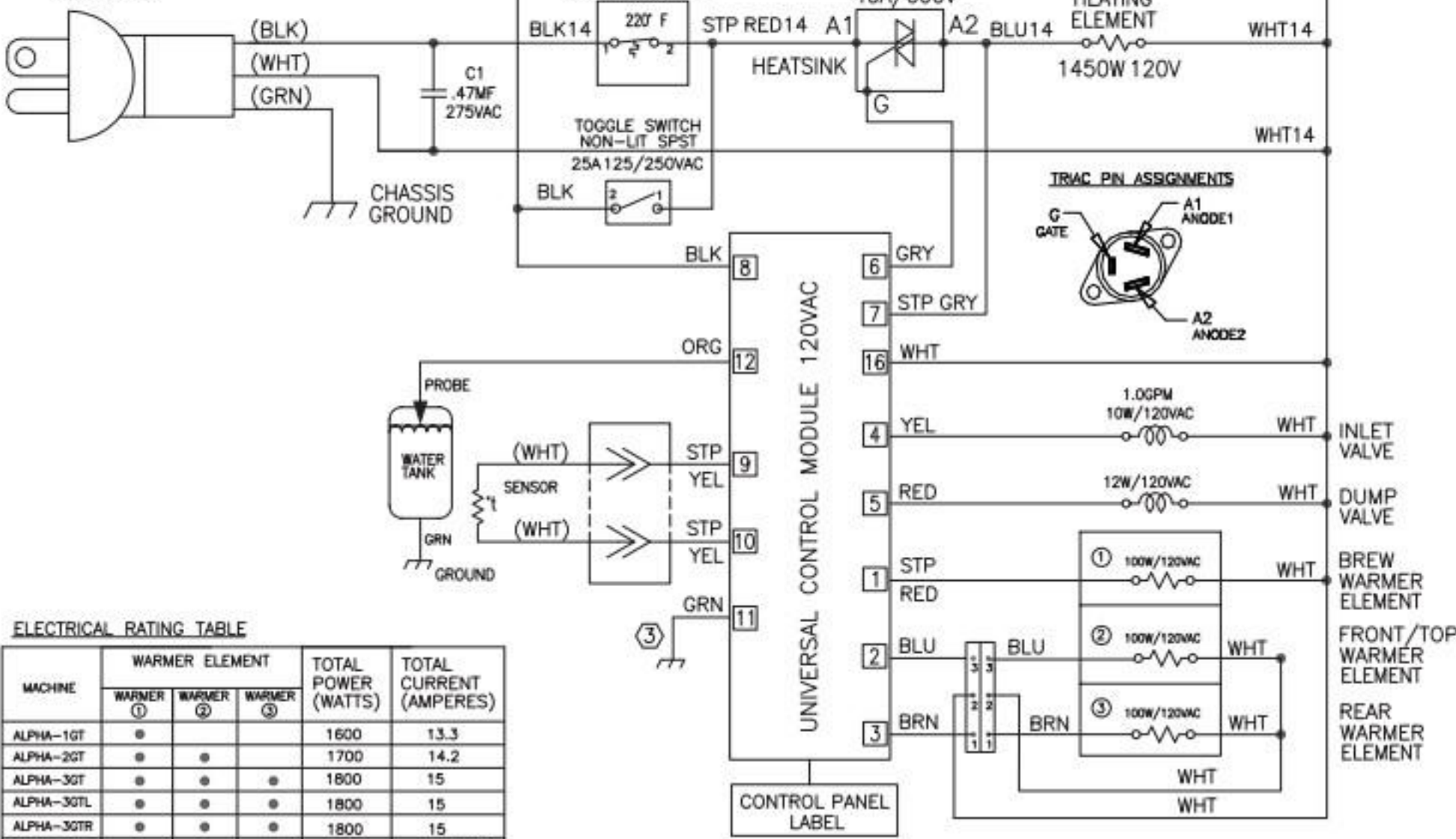
1 BREW WARMER



POWER SUPPLY  
120VAC/1-PHASE  
50/60HZ, 2W+G

SEE TABLE FOR  
ELEC RATING  
PER MODEL

⑤ POWER CORD  
14/3 SJT0



ELECTRICAL RATING TABLE

MACHINE	WARMER ELEMENT			TOTAL POWER (WATTS)	TOTAL CURRENT (AMPERES)
	WARMER ①	WARMER ②	WARMER ③		
ALPHA-1GT	●			1600	13.3
ALPHA-2GT	●	●		1700	14.2
ALPHA-3GT	●	●	●	1800	15
ALPHA-3GTL	●	●	●	1800	15
ALPHA-3GTR	●	●	●	1800	15
ALPHA-5GT	●	●	●	1950	16.3 ⑤