

Unit Information

1200 Watts - NEMA 5-15P

Up to 30 (5/8" thick) waffles per hour

Triple-coated nonstick plates

Beep signals when unit is ready & waffle is cooked

Thermal Protection - If power is lost during operation, unplug and let cool 10 minutes. Plug in and continue use.

WARING COMMERCIAL®

Heavy-Duty Waffle Maker

WWD180

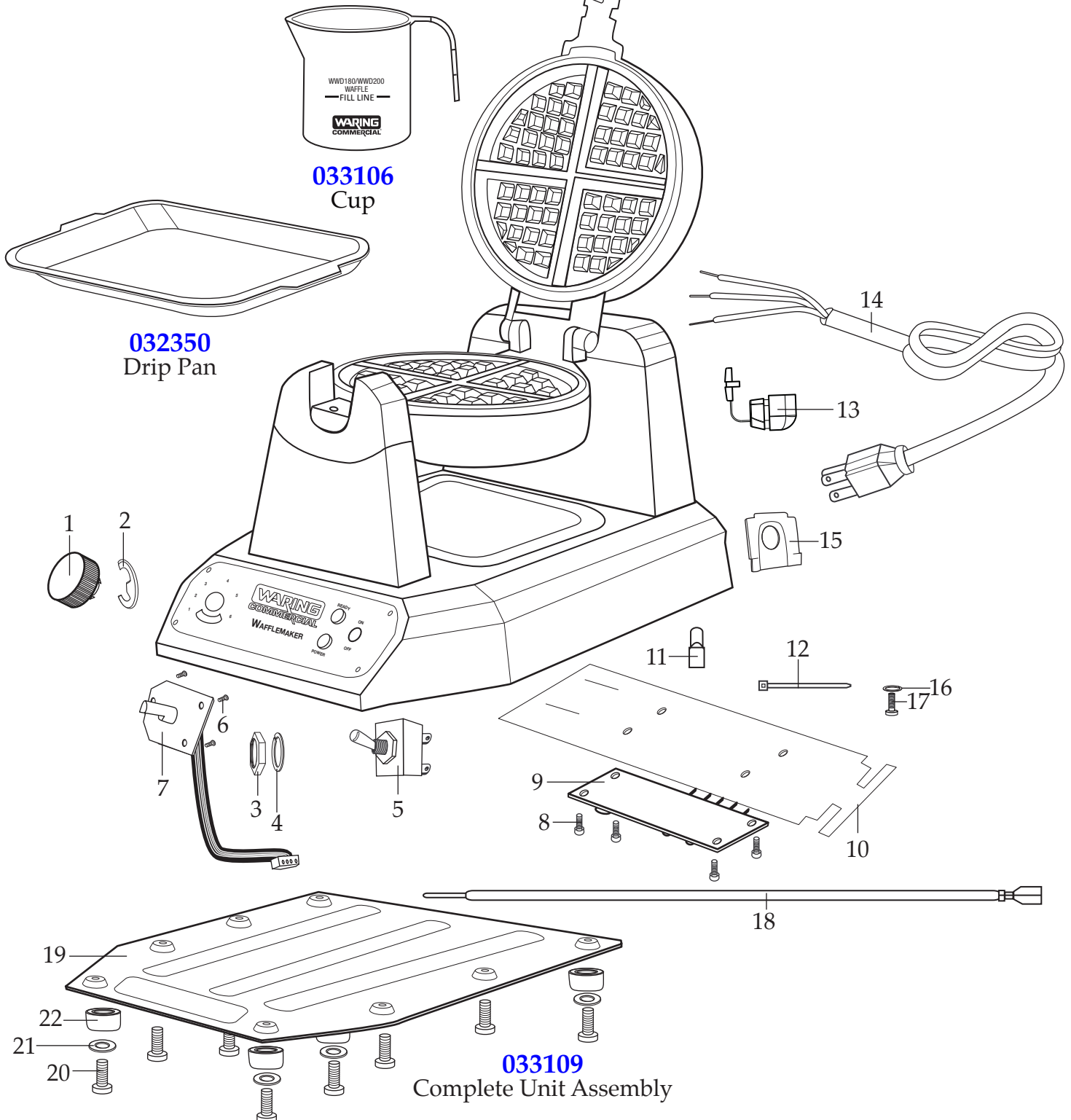


Illustration #	Part #	Description
1	032352	Browning Control Knob
2	032362	E Ring
3	016236	Hex Nut
4	032356	Washer
5	032368	On/Off Toggle Switch
6	032359	Screw (3 required)
7	032358	Darkness Control Panel (<i>thermostat</i>)
8	032359	Screw (4 required)
9	030635	PCB Board
10	030638	PCB Board Shield
11	019123 012409	Large Crimp Connector Small Crimp Connector (3 required)
12	013731	Wire Tie (4 required)
13	032361	Strain Relief
14	032363	Cord Set
15	032371	Cord Plate
16	032360	Ground Spring Washer (2 required)
17	035298	Ground Screw (2 required)
18	032367	Red Lead
19	032351	Bottom Plate
20	032355	Screw (8 required)
21	032354	Washer (4 required)
22	032353	Foot (4 required)