



Serviceable Single Classic Waffle Maker

WWD180X



Date Code Location
WWYY
(week week year year)

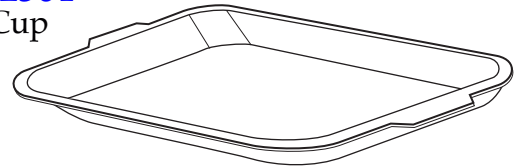


038511

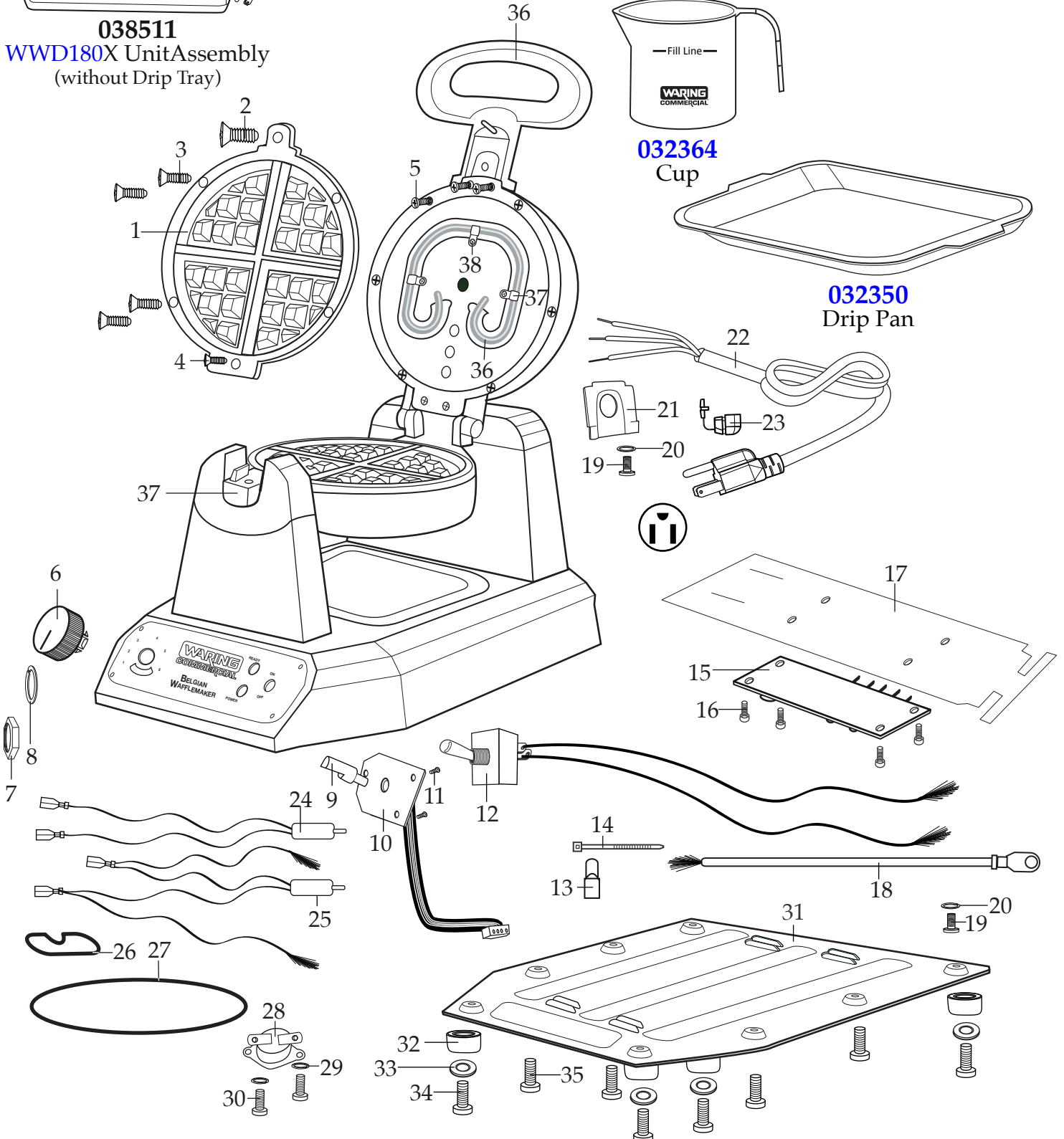
WWD180X Unit Assembly
(without Drip Tray)



032364
Cup



032350
Drip Pan



Illustration#	Part#	Description
1	038638	Belgian Waffle Plate (1 top - 1 bottom)
2	037357	Screw / top of waffle plate (1 top plate - 1 bottom plate)
3	037356	Screw / sides of waffle plate (4 top plate - 4 bottom plate)
4	038513	Screw / bottom of waffle plate (1 top plate - 1 bottom plate)
5	037493	Screw (10 top inner plate - 10 bottom inner plate)
6	032352	Knob
7	016236	Hex Nut
8	032356	Washer
9	036241	Connector Pole
10	035316	Darkness Control Board (short tape)
11	032359	Screw (3 required)
12	038512	Toggle Switch with Leads
13	012409 019123	Small Crimp Connector (4 required) Large Crimp Connector (2 required)
14	013731	Wire Tie (7 required)
15	037490	PCB Board
16	032359	Screw (4 required)
17	030638	Power Board Shield
18	037491	8" Green Lead Assembly
19	035298	Ground Screw (2 required)
20	032751	Ground Spring Washer (2 required)
21	032371	Cord Plate
22	032363	Cord Set
23	035476	Strain Relief
24	037928	Red Light with Leads
25	037929	Green Light with Leads
26	038131	Small Rubber Gasket
27	038132	Round Rubber Gasket
28	038133	Thermostat
29	037504	Spring Washer (2 required)
30	032359	Screw (2 required)

Illustration#	Part#	Description
31	032351	Bottom Plate
32	032353	Foot (4 required)
33	032354	Foot Washer (4 required)
34	032355	Foot Screw (4 required)
35	032750	Bottom Plate Screw (4 required)
36	037502	Heating Element (1 top - 1 bottom)
37	037503	Clamp (3 top heating element - 3 bottom heating element)
38	032359 037504	Screw (3 top clamps - 3 bottom clamps) Spring Washer (3 top clamps - 3 bottom clamps)
39	037488	Top Handle
40	037489	Bottom Handle
41	037493	Screw (2 top handle - 2 bottom handle)
42	037505	Screw (2 top heating element - 2 bottom heating element)
43	032751	Spring Washer (2 top heating element - 2 bottom heating element)
44	037506	Insulated Sleeve (2 top heating element - 2 bottom heating element)

