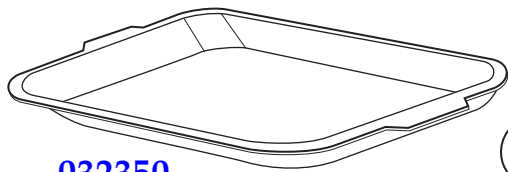


# WARING COMMERCIAL®

## 208 Volt Side-By-Side Double Belgian Waffle Maker WW300BX

### Unit Information

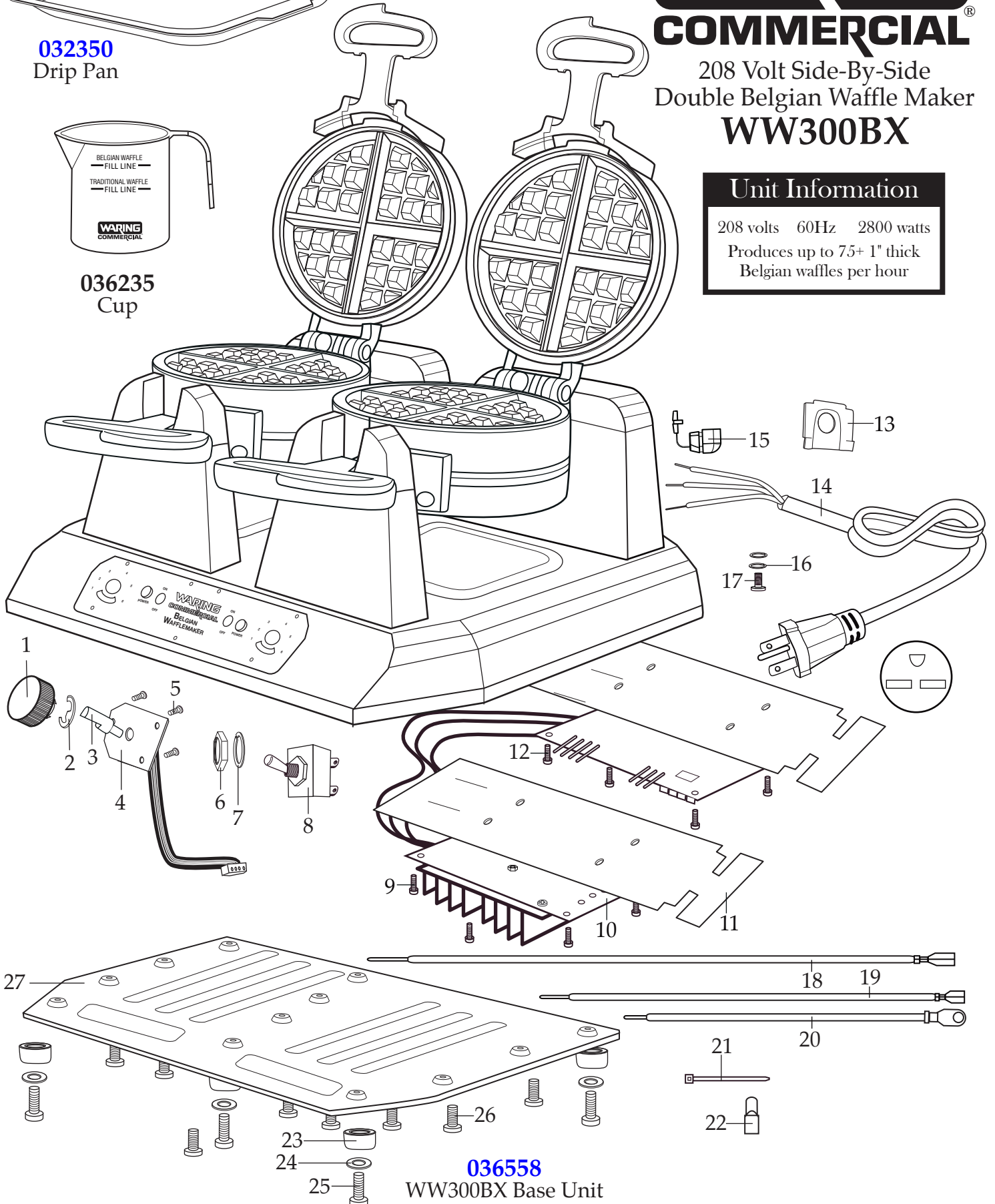
208 volts 60Hz 2800 watts  
Produces up to 75+ 1" thick  
Belgian waffles per hour



**032350**  
Drip Pan



**036235**  
Cup



**036558**  
WW300BX Base Unit

Illustration#	Part#	Description
1	032352	Browning Control Knob (2 required per unit)
2	032362	E Ring (2 required per unit)
3	036241	Connector Pole (2 required per unit)
4	036556	Darkness Control Panel (2 required per unit)
5	032359	Screw (6 required per unit)
6	016236	Hex Nut (2 required per unit)
7	032356	Washer (2 required per unit)
8	036237	On/Off Toggle Switch (2 required per unit)
9	032359	Screw (8 required per unit)
10	036555	PCB/Power Board Assembly (2 required per unit)
11	030638	PCB Board Shield (2 required per unit)
12	032359	Screw (2 required per unit)
13	032371	Cord Plate
14	036239	Cord Set (NEMA 6-15P)
15	032361	Strain Relief
16	032360	Ground Spring Washer (6 required per unit)
17	035298	Ground Screw (3 required per unit)
18	032367	26" Red Lead (2 required per unit)
19	036557	11.75" Blue Lead
20	034933	9.75" Green Lead (2 required per unit)
21	013731	Wire Tie (11 required per unit)
22	019123 012409	Large Crimp Connector (4 required per unit) Small Crimp Connector (3 required per unit)
23	032353	Foot (4 required per unit)
24	032354	Foot Washer (4 required per unit)
25	032355	Foot Screw (4 required per unit)
26	032750	Screw (8 required per unit)
27	036238	Bottom Plate

Date Code Location  
WWYY  
(week week year year)

