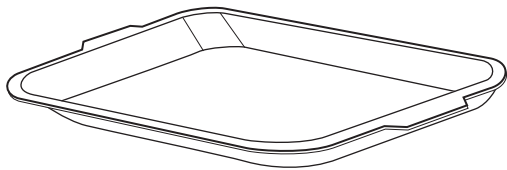


WARING COMMERCIAL®

120 Volt Double Belgian Waffle Makers WW250X

Unit Information

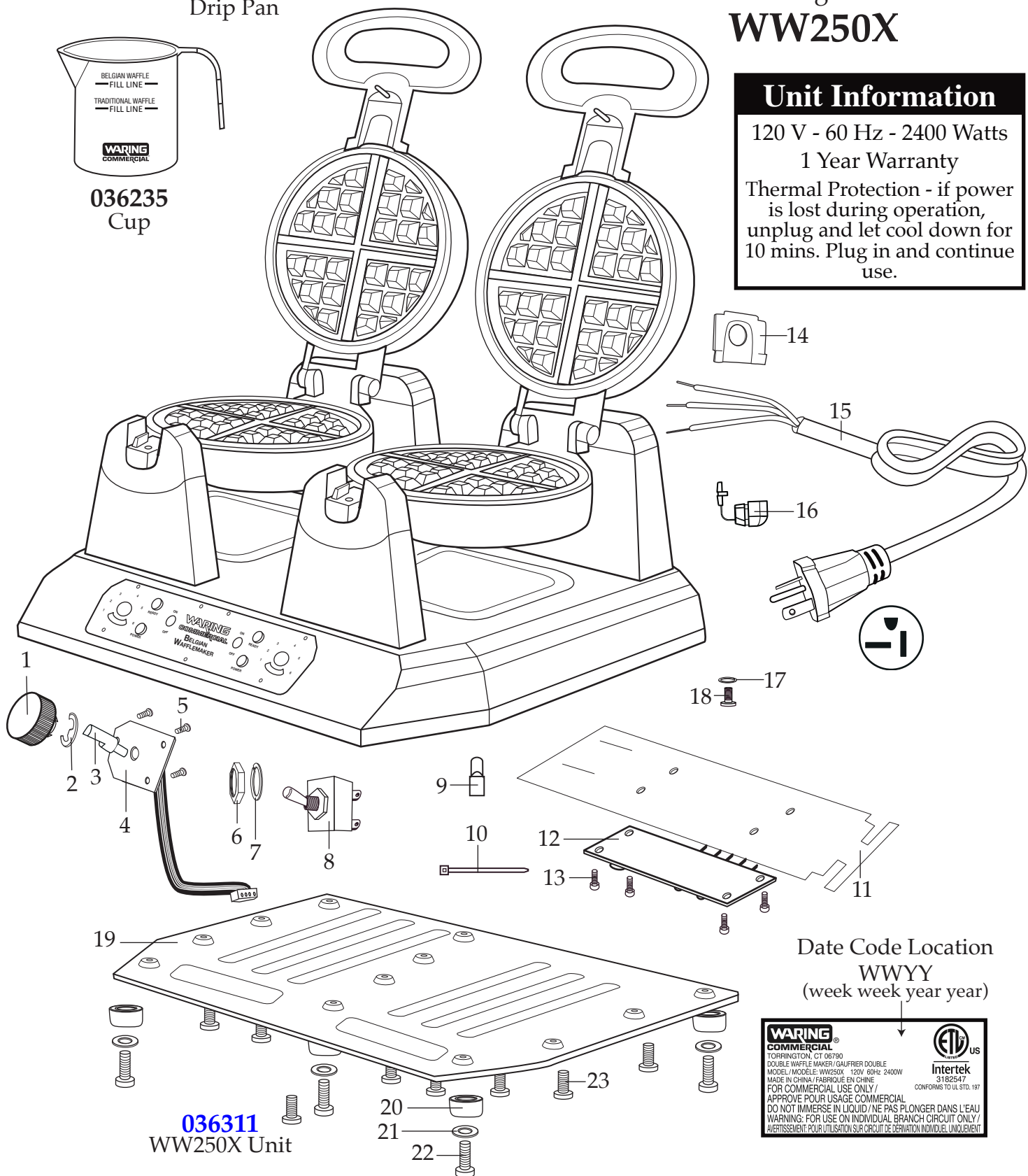
120 V - 60 Hz - 2400 Watts
 1 Year Warranty
 Thermal Protection - if power is lost during operation, unplug and let cool down for 10 mins. Plug in and continue use.



032350
Drip Pan



036235
Cup



036311
WW250X Unit

Date Code Location
 WWYY
 (week week year year)

WARING COMMERCIAL
 TORRINGTON, CT 06790
 DOUBLE WAFFLE MAKER / GAUFFRIER DOUBLE
 MODEL / MODELE: WW250X 120V 60Hz 2400W
 MADE IN CHINA / FABRIQUE EN CHINE
 FOR COMMERCIAL USE ONLY /
 APPROVE POUR USAGE COMMERCIAL
 DO NOT IMMERSE IN LIQUID / NE PAS PLONGER DANS L'EAU
 WARNING: FOR USE ON INDIVIDUAL BRANCH CIRCUIT ONLY /
 AVERTISSEMENT: POUR UTILISATION SUR CIRCUIT DE DERIVATION INDIVIDUEL UNIQUEMENT

Intertek
 3182547
 CONFORMS TO UL STD. 197

Illustration#	Part#	Description
1	032352	Browning Control Knob (2 required per unit)
2	032362	E Ring (2 required per unit)
3	036241	Connector Pole (2 required per unit)
4	036236	Darkness Control Panel (2 required per unit)
5	032359	Screw (6 required per unit))
6	016236	Hex Nut (2 required per unit)
7	032356	Washer (2 required per unit)
8	036237	On/Off Toggle Switch (2 required per unit)
9	019123 012409	Large Crimp Connector (4 required per unit) Small Crimp Connector (2 required per unit)
10	013731	Wire Tie (8 required per unit)
11	030638	PCB Board Shield (2 required per unit)
12	036309	PCB Board (2 required per unit)
13	032359	Screw (8 required per unit)
14	032371	Cord Plate
15	036310	Cord Set (plug type SP530)
16	032361	Strain Relief
17	032360	Ground Spring Washer (3 required per unit)
18	035298	Ground Screw (3 required per unit)
19	036238	Bottom Plate
20	032355	Foot Screw (4 required per unit)
21	032354	Foot Washer (4 required per unit)
22	032353	Foot (4 required per unit)
23	032750	Screw (8 required per unit)