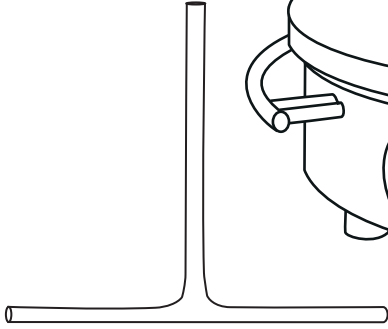
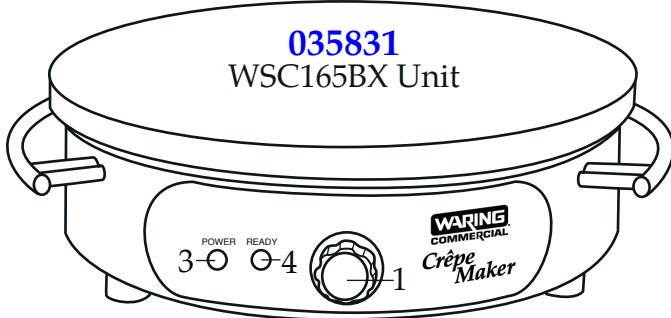


# WARING COMMERCIAL

208 / 240 Single Crepe Maker

## WSC165BX

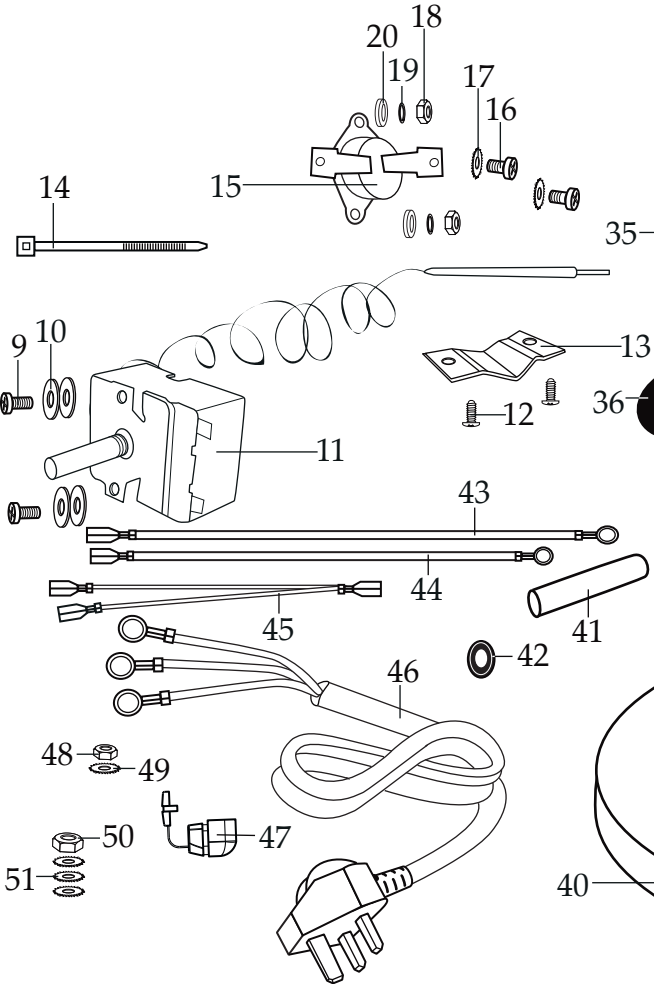
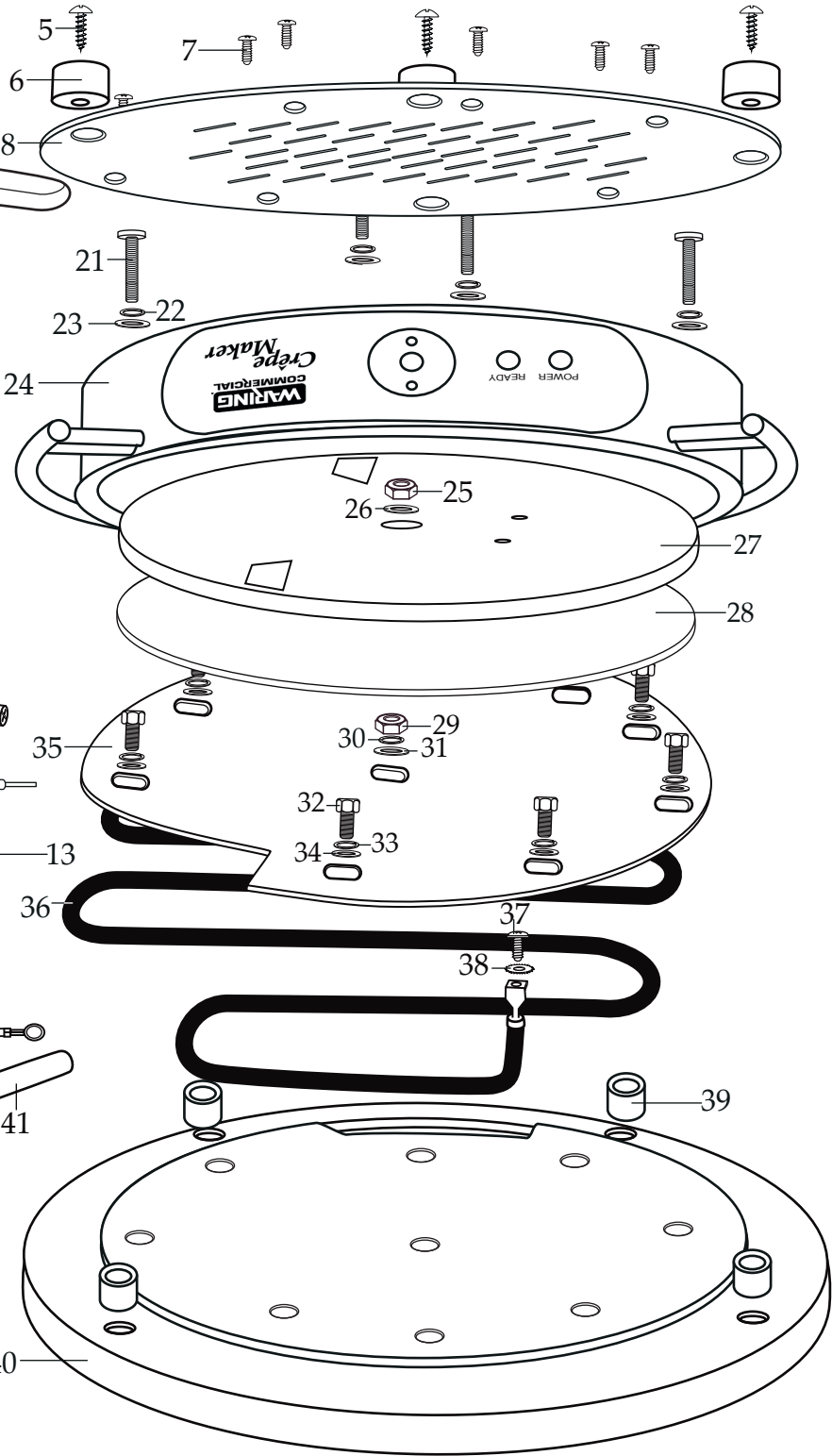


**032156**  
Batter Spreader




**032155**  
Crepe Spatula

Unit Information	
208 volts - 60Hz - 2160 Watts	
240 volts - 60Hz - 2880 Watts	
16" Cast-iron Cooking Surface	
One Year Warranty	
Season Before First Use This Process Will Take About 1 - 1 1/2 Hours	



<b>Illustration #</b>	<b>Part #</b>	<b>Description</b>
1	032130	Control Knob
2	028627	Set Screw
3	029941	Red Power Light
4	030515	Green Ready Light
5	028623	Foot Screw (4 required)
6	028622	Foot (4 required)
7	030006	Screw (6 required)
8	032131	Bottom Plate
9	029943	Thermostat Screw (2 required)
10	032132	Thermostat Washer (4 required)
11	035820	Thermostat
12	030006	Screw (2 required)
13	032134	Thermostat Bracket
14	013731	Wire Tie (4 required)
15	035837	Thermal Cut-off
16	030075	Screw (2 required)
17	030076	Lock Washer (2 required)
18	029998	Nut (2 required)
19	032136	Spring Washer (2 required)
20	029997	Washer (2 required)
21	032137	Screw (4 required)
22	032138	Spring Washer (4 required)
23	032139	Washer (4 required)
24	032140	Outer Base Shell with Handles
25	029980	Hex Nut
26	029951	Washer
27	032141	Insulation Cover

Illustration #	Part #	Description
28	032142	Insulation
29	029980	Hex Nut
30	032144	Spring Washer
31	029951	Washer
32	029962	Bolt (6 required)
33	029963	Spring Washer (6 required)
34	029964	Washer (6 required)
35	032143	Element Plate
36	035832	Heating Element
37	029958	Screw (2 required)
38	029959	Lock Washer (2 required)
39	032146	Spacer (4 required)
40	035819	Grill Plate with Aluminum Plate Assembly
41	030525	Rubber Sleeve (2 required)
42	030533	Housing Lead Protector
43	032147 032151	Red Lead (2 required thermostat to thermal cut-off & element) White Lead (red power light to ceramic seal)
44	032148	Black Lead (element to ceramic seal)
45	032150 032149	Double White Lead (thermostat to ready light and power light) White Lead (thermostat to ready light)
46	030534	Ground Nut
47	030536	Ground Lock Washer
48	035833	Cord Set 6-15P 
49	030518	Strain Relief
50	030535	Ceramic Seal Nut
51	030536	Ceramic Seal Lock Washer (3 required)