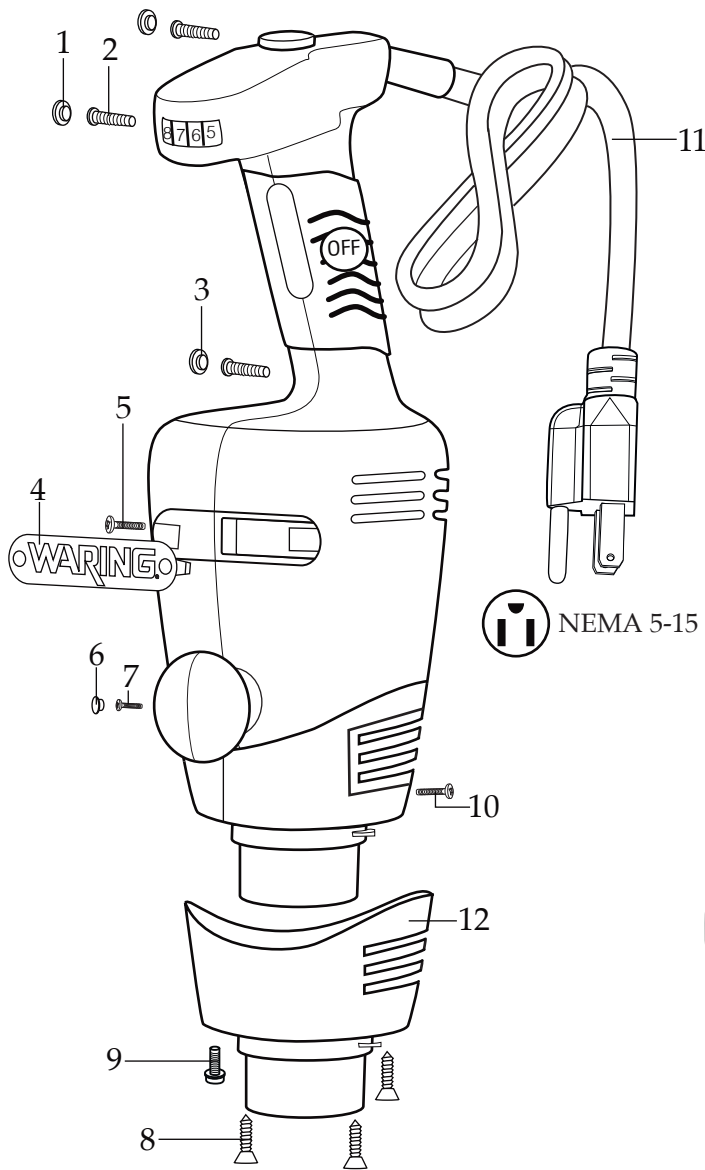
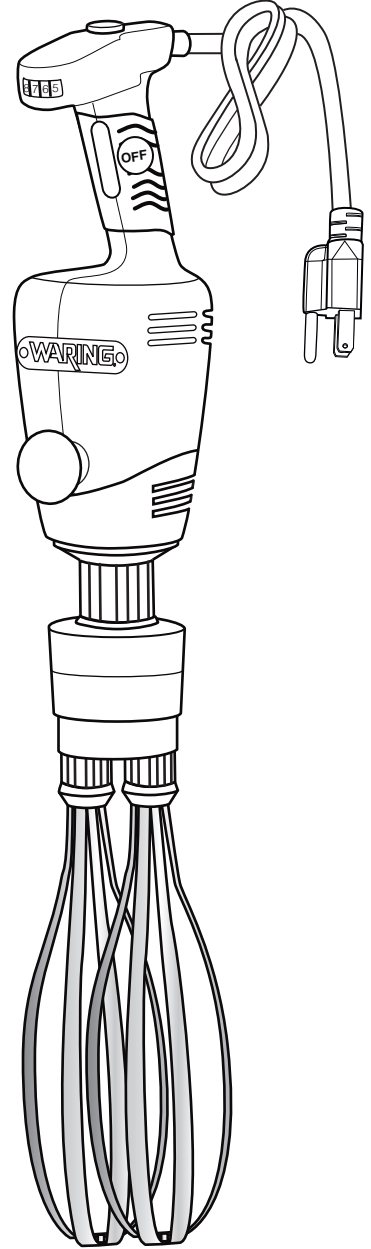
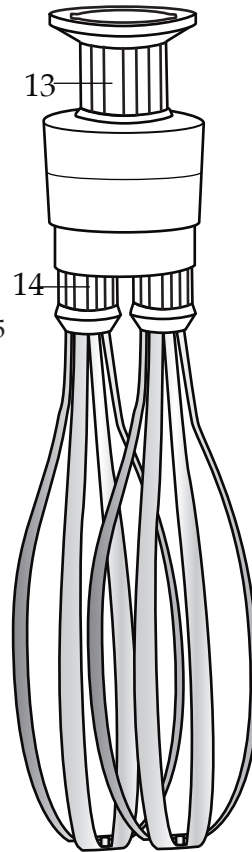


# WARING COMMERCIAL

## 10" Big Stik® Whisk WSBPPW

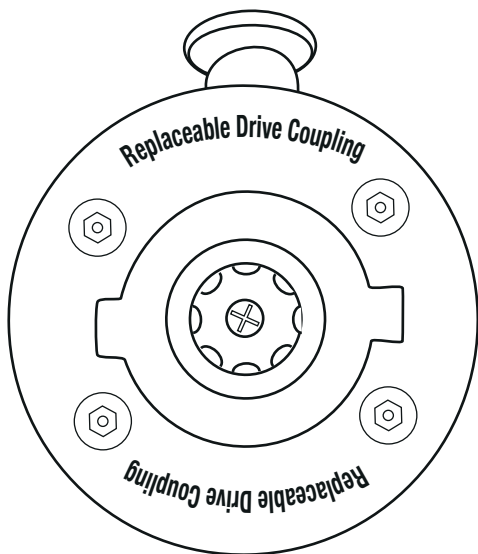


**502955** - WSB Power Pack



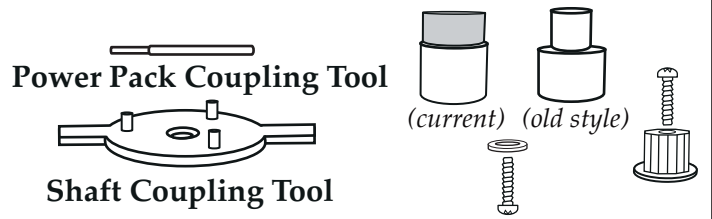
### Unit Information

6.25 Amps  
750 Watts  
1 HP Motor  
Max RPM's - 1600

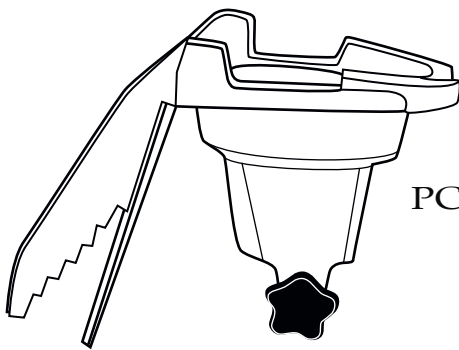


To use the **503357** kit the bottom of your Power Pack must look like this.

### **503357** Kit Parts Included *(part changed in 2007)*



Illustration#	Part#	Description
1	029839	Hole Plug (2 required)
2	029840	Screw (3 required)
3	029905	Hole Plug
4	029841	Name Plate Panel
5	029842	Screw
6	029843	Hole Plug
7	029844	Screw
8	029845	Screw (3 required)
9	029846	Screw
10	029844	Screw
11	030442	Cord Set
12	030440	Housing Cover
13	029006	Base
14	029007	Beater (set)



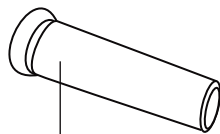
**033016** (WSBBC)  
Bowl Clamp



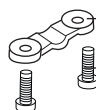
**030443**  
PCB Board Assembly



**032650**  
Speed Control Knob

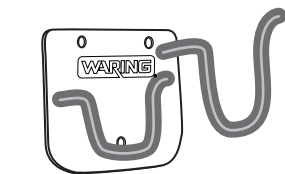


**037922** - Cord Bushing

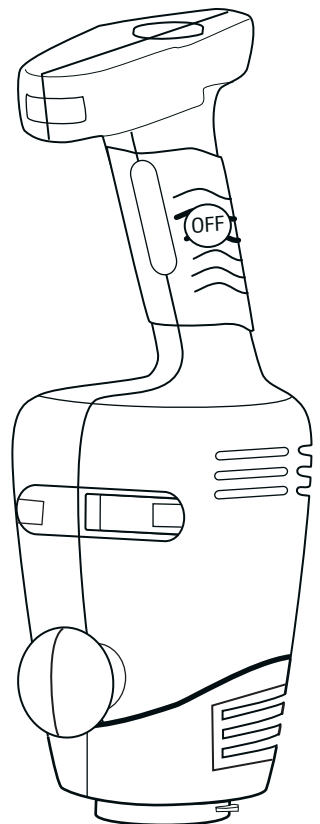
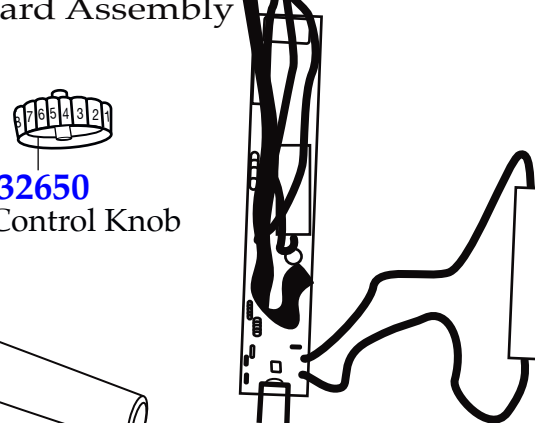


**033666** - Cord Clamp

**033654** - Screws (2 required)



**033017** (WSB01)  
Wall Hanger



**037435**  
Housing Kit