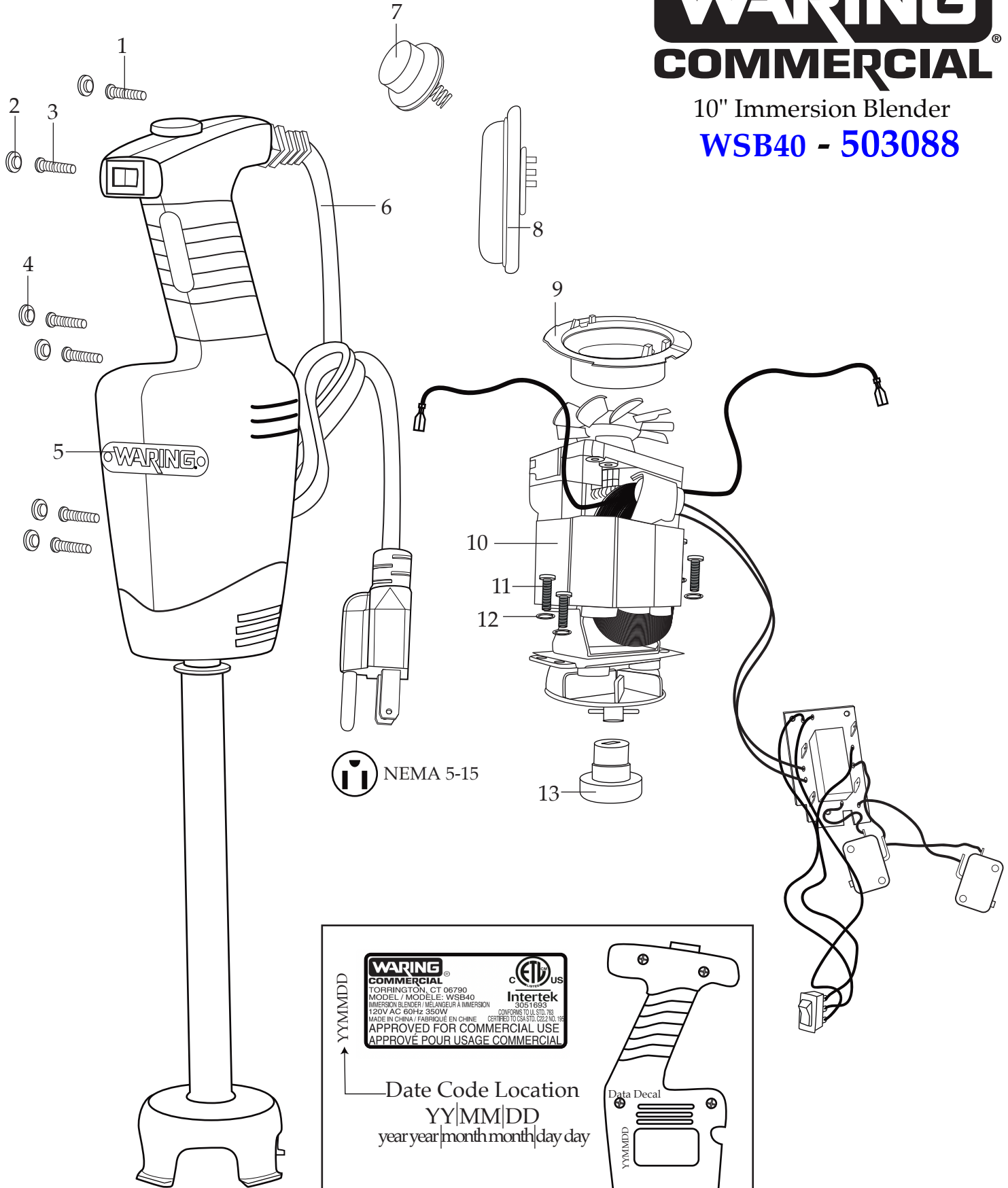


# WARING COMMERCIAL®

10" Immersion Blender  
**WSB40 - 503088**



<b>Illustration#</b>	<b>Part#</b>	<b>Description</b>
1	038218	Screw / phillips (3 required)
2	<a href="#">029839</a>	Hole Plug (2 required)
3	<a href="#">038217</a>	Screw / tamper proof (3 required)
4	<a href="#">038228</a>	Hole Plug (4 required)
5	<a href="#">033121</a>	Badge
6	<a href="#">038227</a>	Cord
7	<a href="#">038223</a>	Button Assembly
8	<a href="#">038224</a>	Trigger Assembly
9	<a href="#">038226</a>	Baffle
10	<a href="#">038225</a>	Motor Assembly
11	038219	Screw (4 required 2 on each side)
12	038220	Spring Washer (4 required 2 on each side)
13	<a href="#">038222</a>	Coupling