

Unit Information

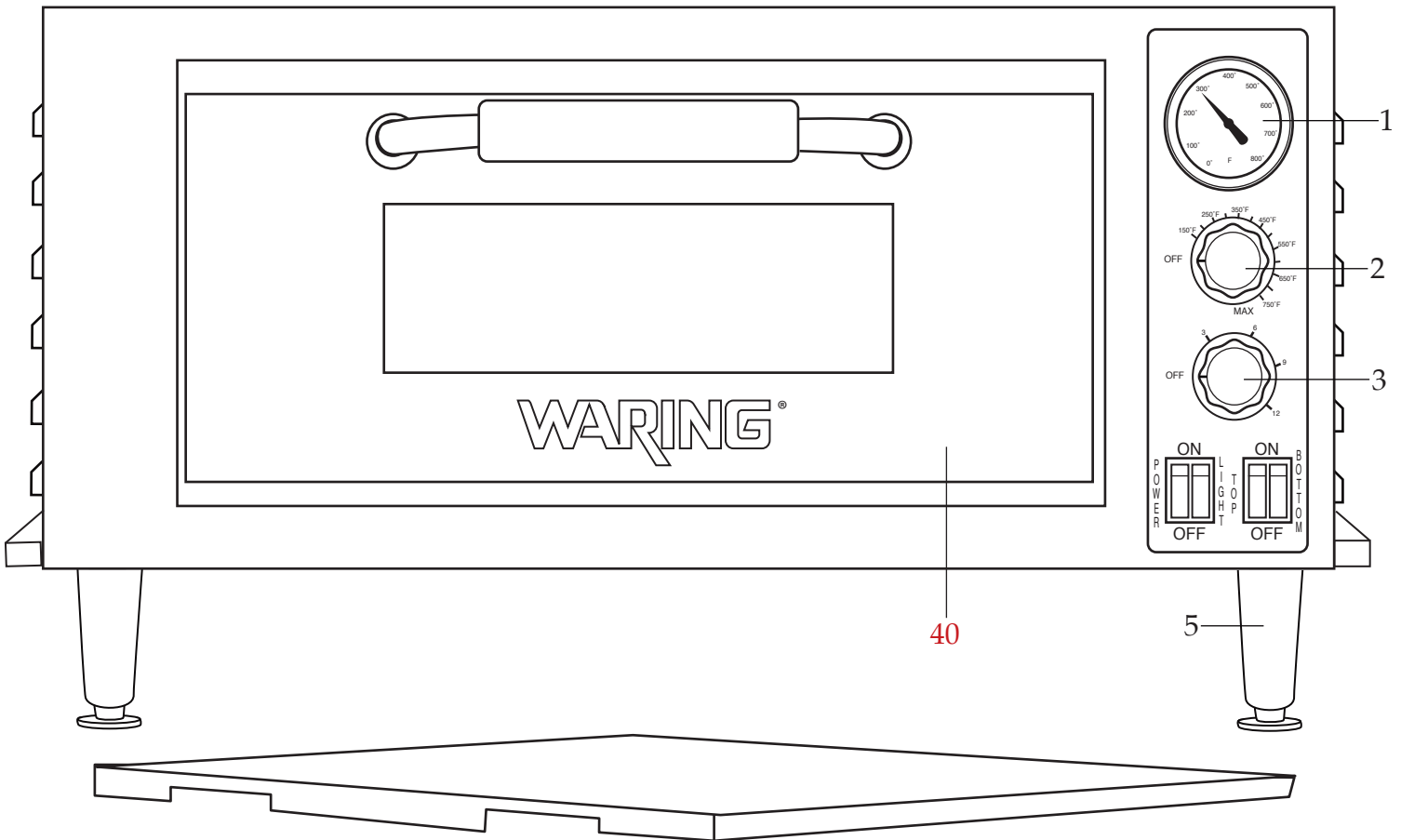
120 Volts – 60 Hz – 1800 Watts
 Oven Capacity H=4" x W=18.25" x D=18.25"
 Outside Dimensions H=15" x W=27" x D=26"
 30-Minute Timer

Replacing Bulb - Do Not touch with bare hands (this will reduce lifespan) use a clean tissue or cloth glove to position new bulb carefully and push in to engage.

WARING COMMERCIAL®

Single Pizza Oven
WPO500

034925
 Pizza Oven Shipping Carton



033752
 Pizza Stone

WARING
COMMERCIAL®

TORRINGTON, CT 06790

PIZZA OVEN

MODEL: WPO500

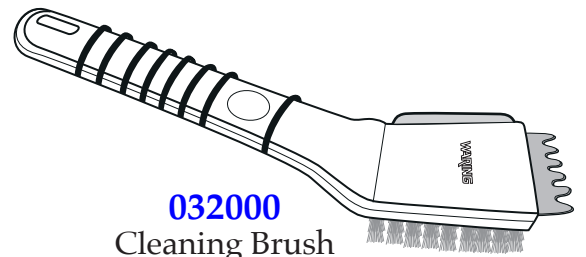
120VAC 60Hz 1800W

MADE IN CHINA

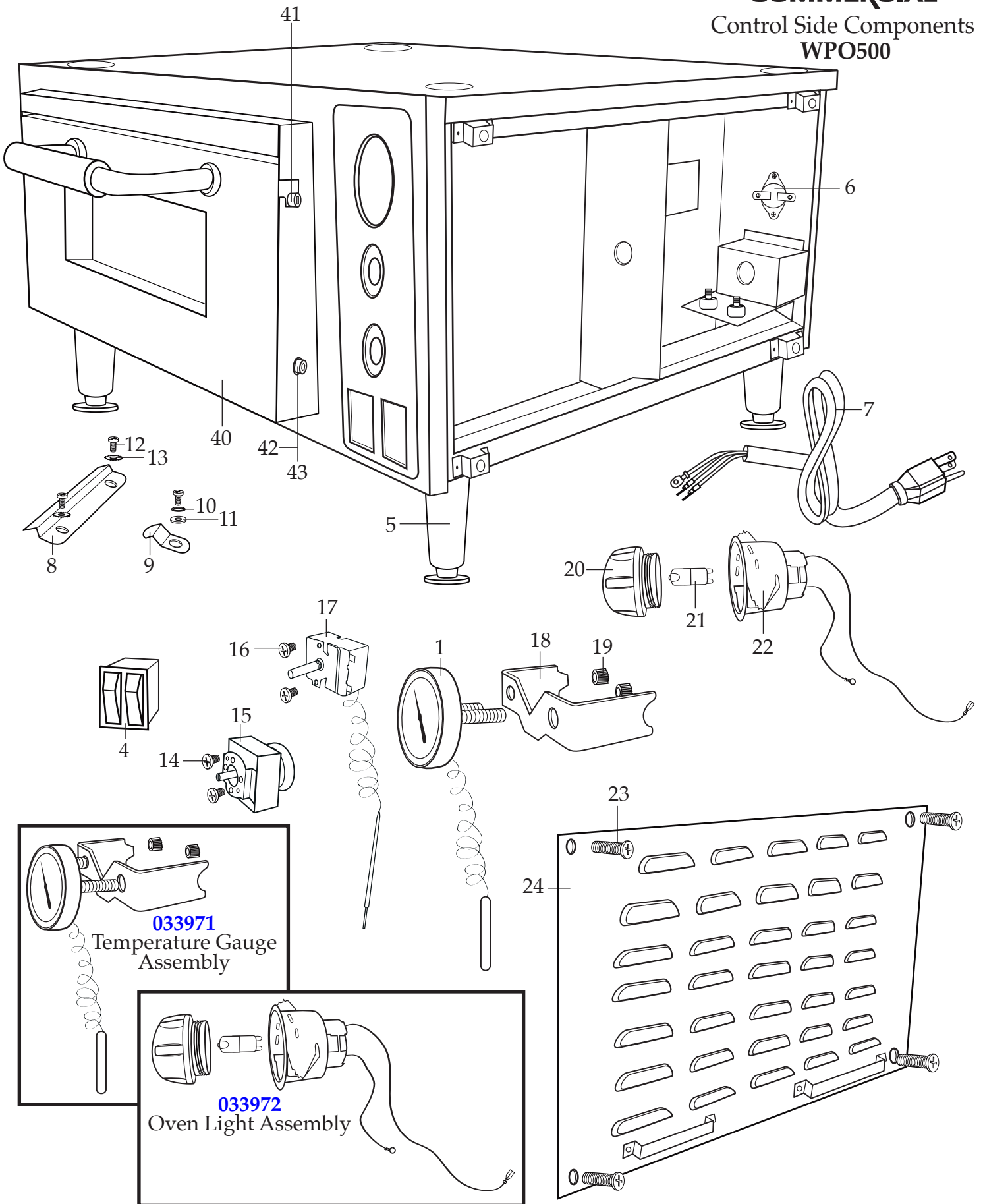
APPROVED FOR COMMERCIAL USE

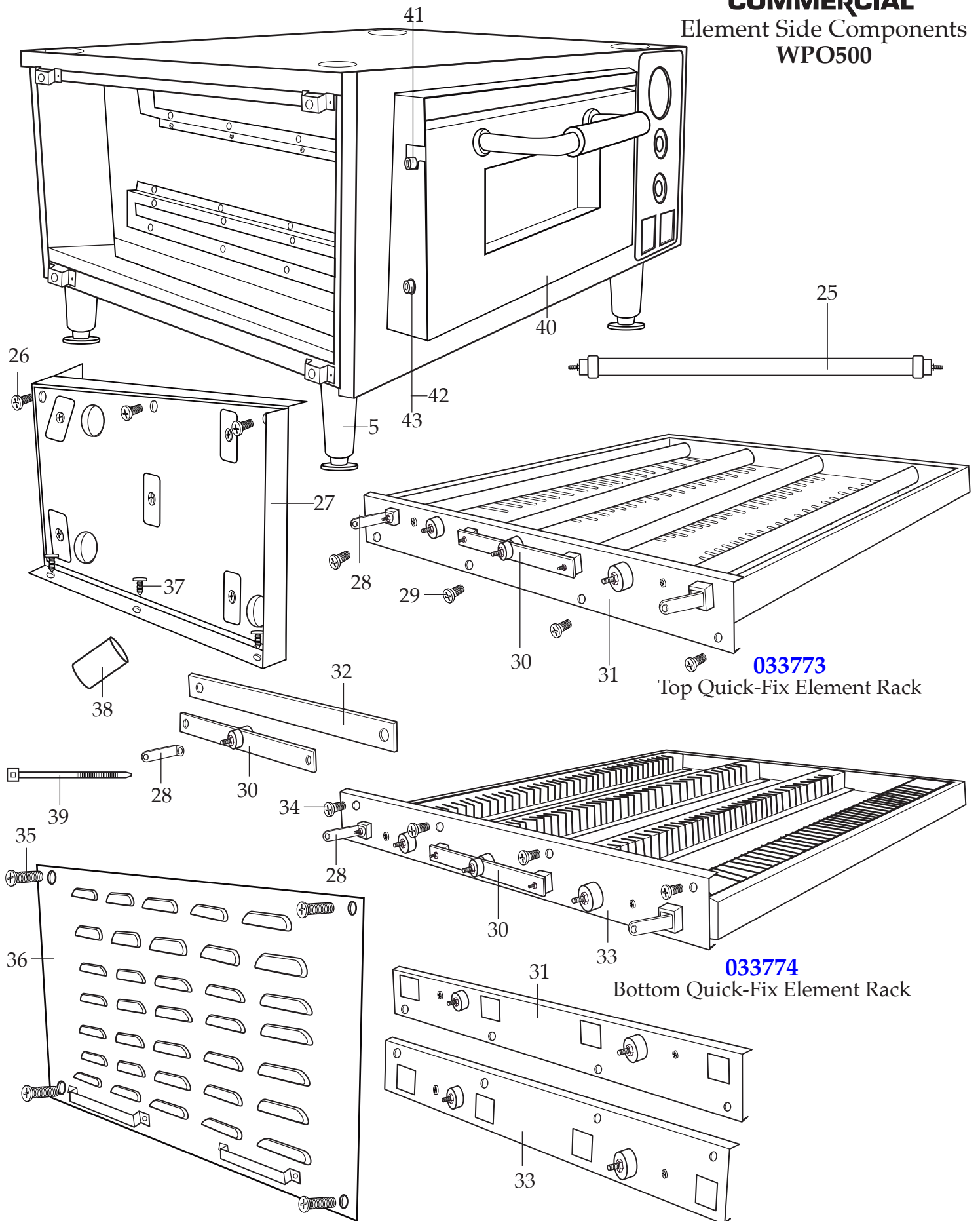
SERIAL: ←

Date Code Location
WWYY
 (week week year year)



032000
 Cleaning Brush



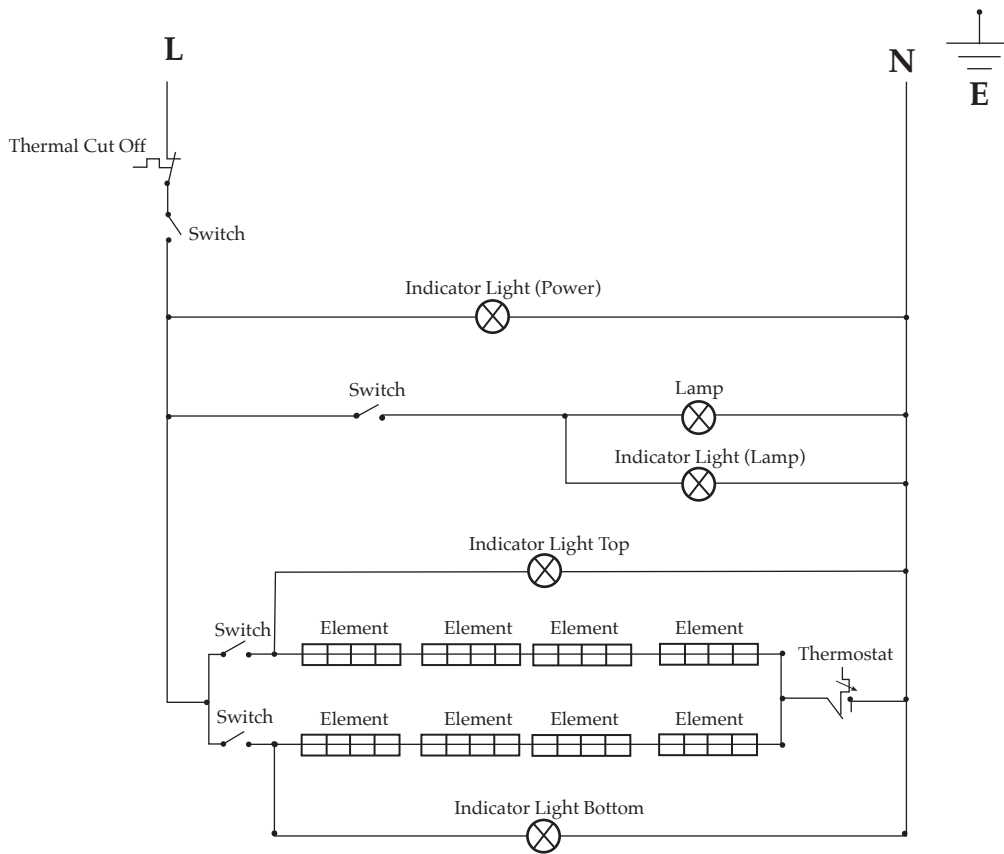


033773
Top Quick-Fix Element Rack

033774
Bottom Quick-Fix Element Rack

Illustration #	Part #	Description
1	033753	Temperature Gauge
2	028626	Temperature Knob with Screw
3	028626	Timer Knob with Screw
4	033754	Double On-Off Switch with Switch Cover (2 required)
5	033755	Foot (4 required)
6	033756	Thermal Cut-off
7	033757	Cord
8	033758	Large Bracket (temperature gauge bulb end)
9	033759	Small Bracket (thermostat bulb end)
10	033761	Spring Washer
11	033762	Washer
12	033760	Screw (3 required)
13	033763	Lock Washer (2 required)
14	029943	Screw (2 required)
15	033764	Timer
16	029943	Screw (2 required)
17	033765	Thermostat
18	033766	Temperature Gauge Bracket
19	033767	Thumb Screw (2 required)
20	033768	Oven Light Lens
21	034958	Bulb
22	033770	Lamp Holder
23	033771	Screw (4 required)
24	033772	Component Side Panel
25	033775	Element Assembly (4 required each quick-fix rack)
26	033776	Screw (3 required)
27	033777	Insulation Panel Assembly
28	033778	Angled End Element Bracket (4 required)
29	033779	Screw (4 required)

Illustration #	Part #	Description
30	033780	Element Support Bracket Assembly (3 required on each rack)
31	033781	Top Element Rack Front Panel
32	033782	Straight Support Bracket
33	033783	Bottom Element Rack Front Panel
34	033779	Screw (4 required)
35	033771	Screw (4 required)
36	033784	Element Side Panel
37	033785	Screw (3 required)
38	033786	Ceramic Sleeve (3 required)
39	013731	Wire Tie (12 required)
40	035346	Door Assembly
41	035349	Slotted Bolt (2 required one each side of door assembly)
42	035351	Washer (2 required one each side of door assembly)
43	035350	Allen Bolt (2 required one each side of door assembly)



Wiring Diagram