

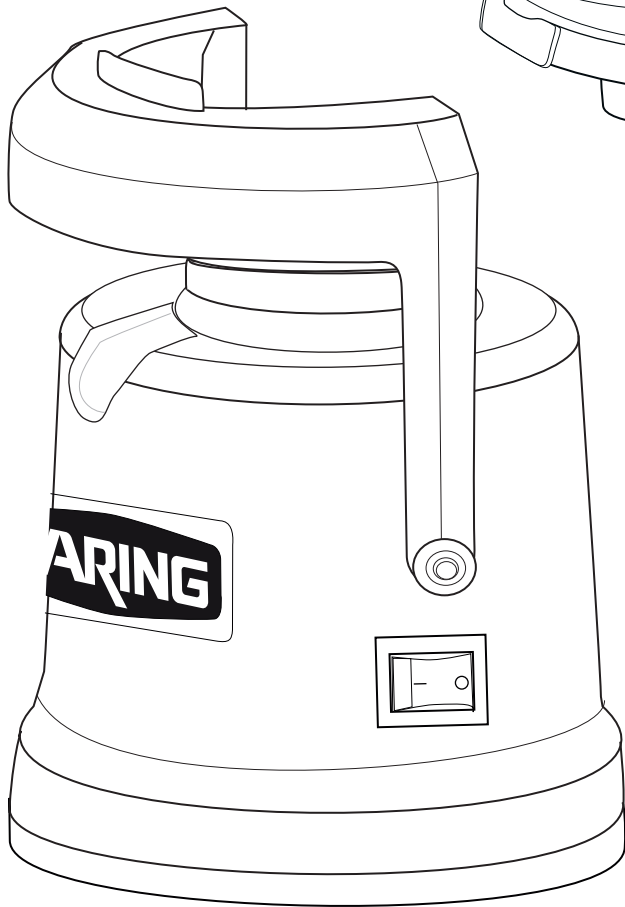
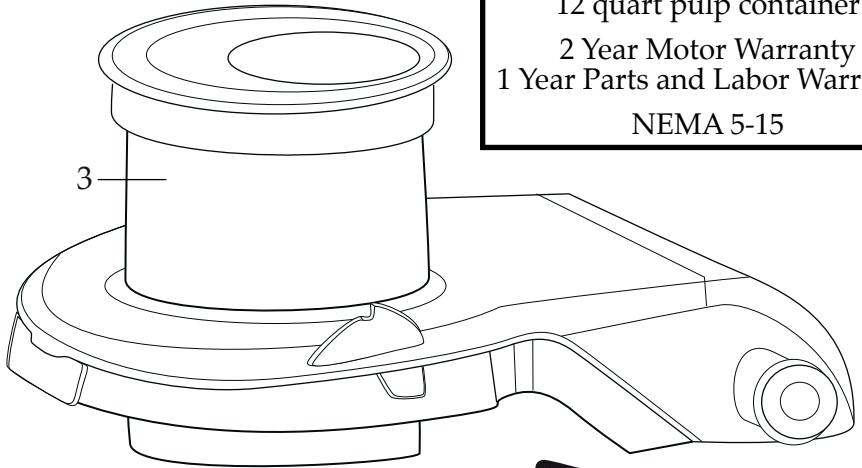
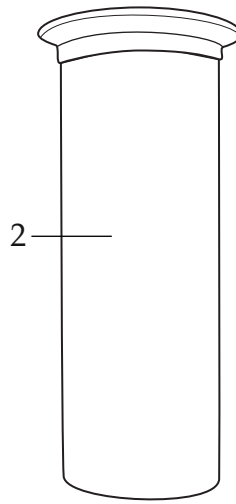
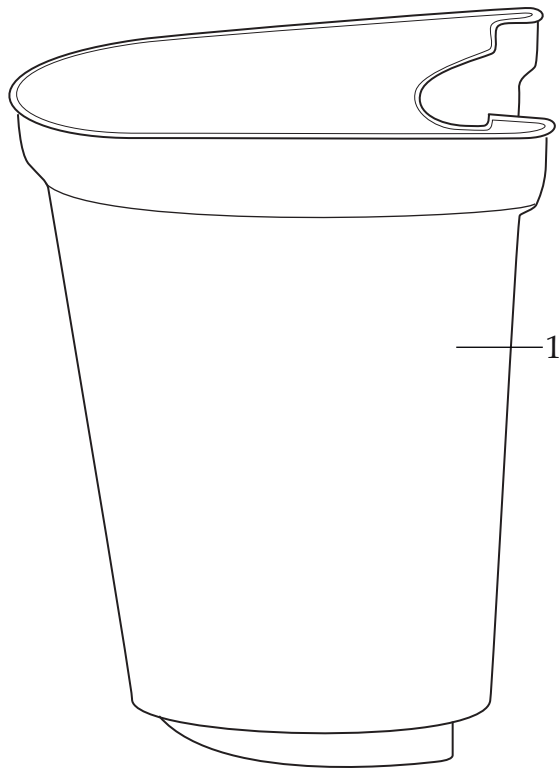
WARING
COMMERCIAL

WJX80

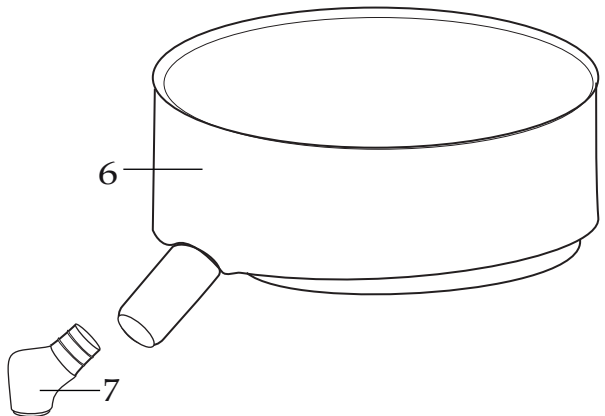
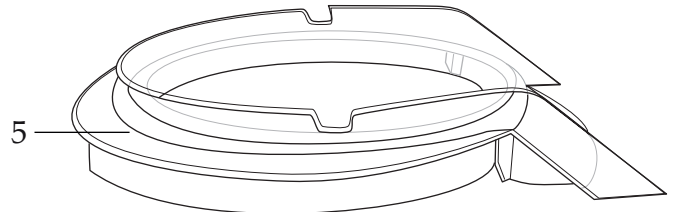
Pulp Eject Juice Extractor

Unit Information

120 volts – 60 Hz – 1000 watts
8 Amps – 1.2 HP – 3600 RPM
3 inch feed chute opening
12 quart pulp container
2 Year Motor Warranty
1 Year Parts and Labor Warranty
NEMA 5-15



037238
WJX80 Base Unit Assembly



WARING COMMERCIAL®

Base Unit Components

WJX80

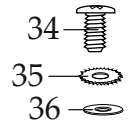
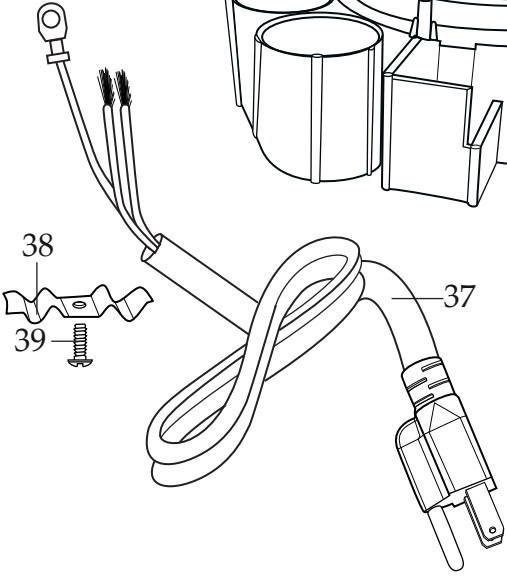
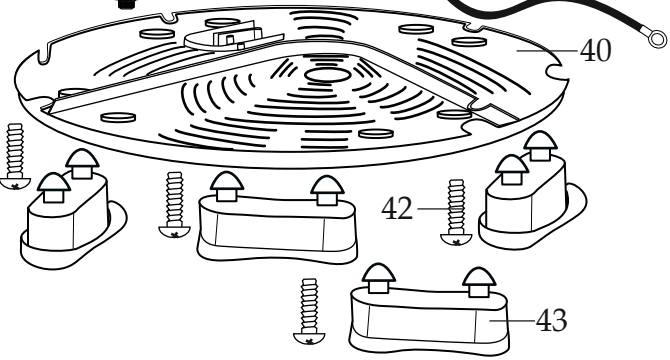
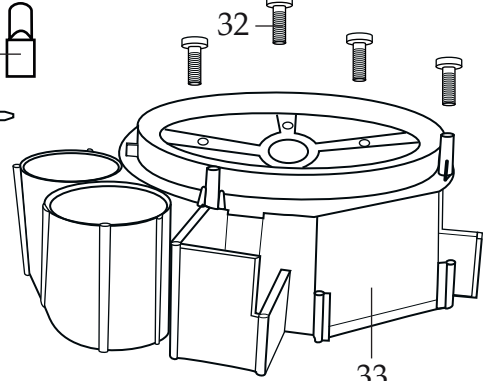
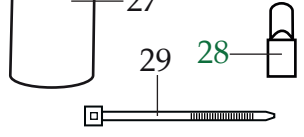
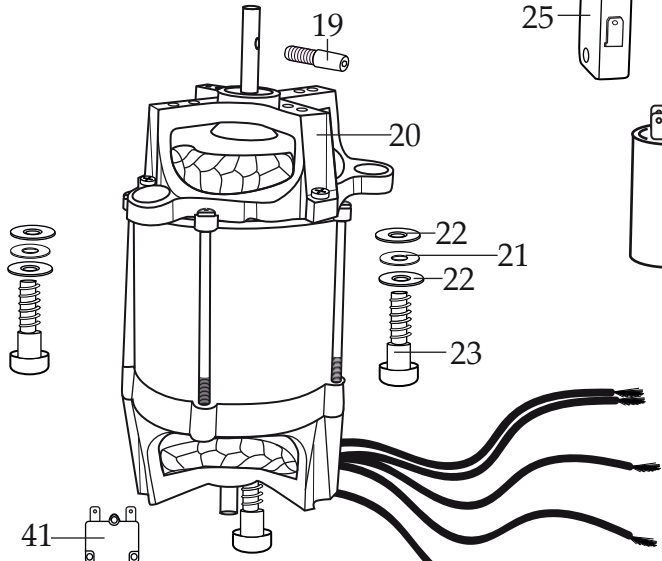
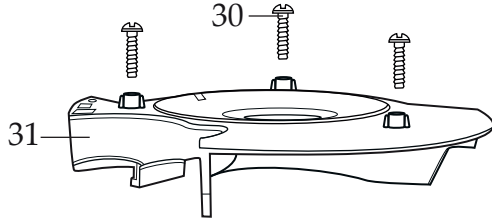
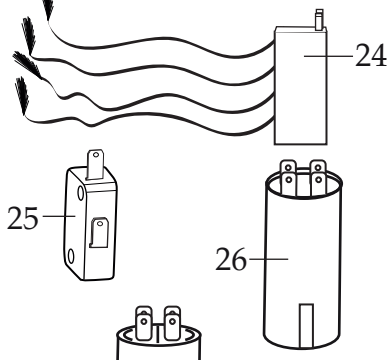
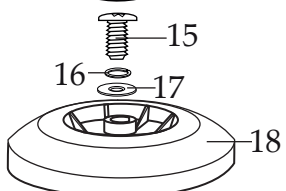
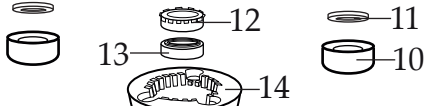
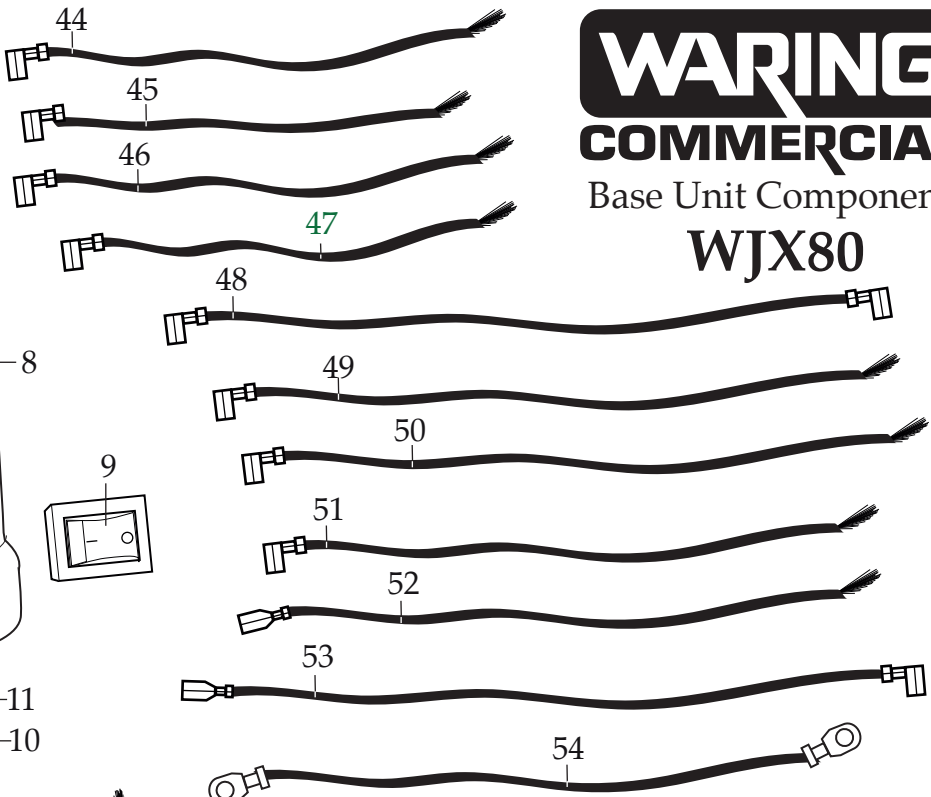
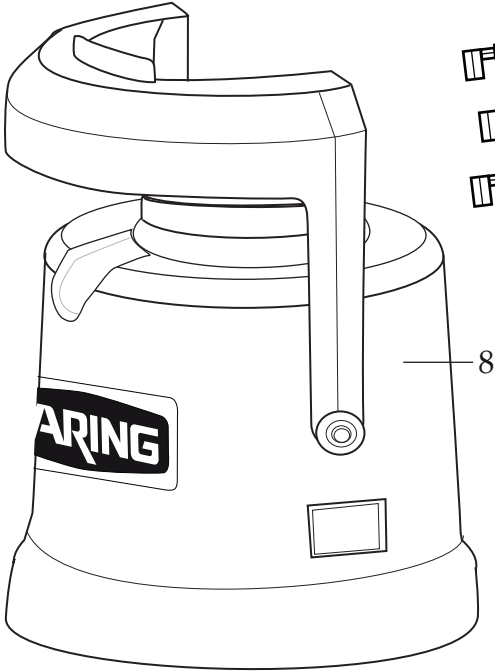


Illustration #	Part #	Description
1	037239	Pulp Container
2	037240	Black Pusher
3	037241	Cover
4	037242	Basket Assembly
5	037243	Black Upper Bowl
6	037244	Bowl
7	037245	Spout Cover
8	037246	Housing Assembly with Locking Arm
9	037247	On/Off Switch
10	037248	Rubber Mounts (3 required)
11	037249	Washer (3 required)
12	037250	Oil Seal
13	037568	Oil Seal
14	037251	Housing Seal
15	037252	Screw
16	037253	Spring Washer
17	037254	Stainless Steel Washer
18	037255	Motor Fan
19	037256	Drive Pin
20	037257	Motor
21	037258	Washer (1 per each screw)
22	037259	Black Washer (2 per each screw)
23	037261	Screw (3 required)
24	037262	Thermal Relay Switch
25	037293	Micro Switch
26	037263	Start Capacitor
27	037264	Capacitor
28	012409	Small Crimp Connectors (1 required)
	019123	Large Crimp Connectors (5 required)
29	013731	Wire Ties (7 required)
30	037265	Screw (3 required)
31	037266	Motor Bracket

Illustration #	Part #	Description
32	037267	Screw (4 required)
33	037268	Wind Guide
34	037267	Screw (ground 2 required)
35	037269	Lock Washer (2 required 1 for each screw)
36	037270	Washer (2 required 1 for each screw)
37	037271	Cord
38	037272	Cord Clamp
39	037273	Screw
40	037274	Bottom Housing
41	037287	Reset Switch
42	037275	Screw (4 required)
43	037276	Foot (4 required)
44	037277	4.375" Dark Blue Lead
45	037569	5.75" Dark Blue Lead
46	037278	5.5" White Lead
47	037279	4.375" Red Lead
48	037280	10" Black Lead
49	037281	9.25" Black Lead
50	037282	11" White Lead
51	037283	9.5" White Lead
52	037284	9.5" Yellow Lead
53	037285	12" Black Lead
54	037286	10.25" Green-Yellow Lead

