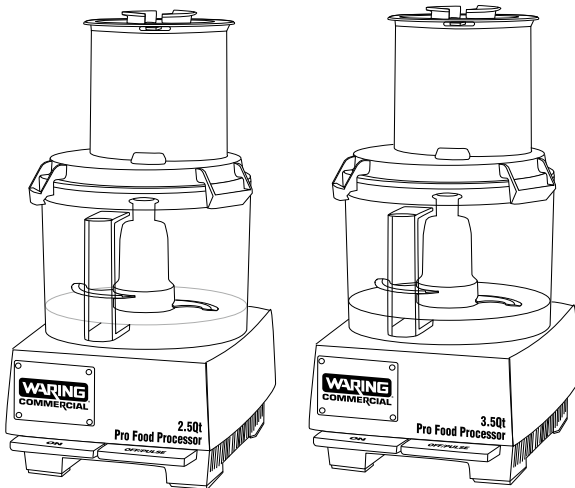


WARING[®] COMMERCIAL

OPERATION MANUAL FOR WARING
WFP11S AND WFP14S FOOD PROCESSORS

MANUAL DE INSTRUCCIONES
DE LOS ROBOTS DE COCINA WFP11S Y WFP14S

MANUEL D'UTILISATION DES ROBOTS
DE CUISINE WFP11S ET WFP14S



WFP11S / WFP14S

For your safety and continued enjoyment of this product,
always read the instruction book carefully before using.

Para su seguridad y para disfrutar plenamente de este producto,
siempre lea las instrucciones cuidadosamente antes de usarlo.

Afin que votre appareil vous procure en toute sécurité beaucoup de satisfaction,
lire attentivement le mode d'emploi avant de l'utiliser.

IMPORTANT SAFEGUARDS

When using electrical appliances, basic safety precautions should always be followed, including these:

1. **Read all instructions.**
2. Blades are sharp. Handle carefully.
3. Your Waring® food processor is a piece of kitchen equipment, and like all other kitchen equipment, extreme care must be used when operating it. Although training requirements are minimal, only responsible and prudent individuals should be allowed to operate this food processor. It should not be used by or near children or individuals with certain disabilities.
4. To avoid injury, never place cutting blade or disc on base without first having put the bowl properly in place.
5. Keep hands as well as spatulas and other utensils away from moving blades or discs while processing food to prevent the possibility of severe personal injury or damage to the food processor. A plastic scraper may be used, but must be used only when the food processor is not running.
6. To protect against risk of electrical shock, do not put base in water or other liquids.
7. Unplug from outlet when not in use, before putting on or taking off parts, before removing food from work bowl, and before cleaning. To unplug, grasp plug and pull from electrical outlet. Never pull cord.
8. Avoid contact with moving parts. Never feed food by hand when slicing or shredding. Always use food pusher.
9. Make sure motor has completely stopped before removing the cover.
10. Do not operate any appliance with a damaged cord or plug, or after appliance has been dropped or damaged in any manner. Return appliance to the nearest authorized service facility for examination, repair or adjustment.
11. The use of attachments not recommended or sold by Waring may cause fire, electric shock or injury.
12. Do not use outdoors.
13. Do not let cord hang over edge of table or counter, or touch hot surfaces.

14. This product is UL listed for commercial use. Use it only for food preparation as described in this book.
15. Do not attempt to defeat the cover interlock mechanism.
16. Be certain cover is securely locked in place before operating appliance.
17. If the machine malfunctions for any reason, discard any food being processed at that time.
18. This appliance is not intended for use by persons (including children) with reduced physical, sensory or mental capabilities, or lack of experience and knowledge, unless they have been given supervision or instruction concerning use of the appliance by a person responsible for their safety.
19. Children should be supervised to ensure that they do not play with the appliance.

SAVE THESE INSTRUCTIONS APPROVED FOR COMMERCIAL USE

GROUNDING INSTRUCTIONS

For your protection, this appliance is equipped with a 3-conductor cord set.

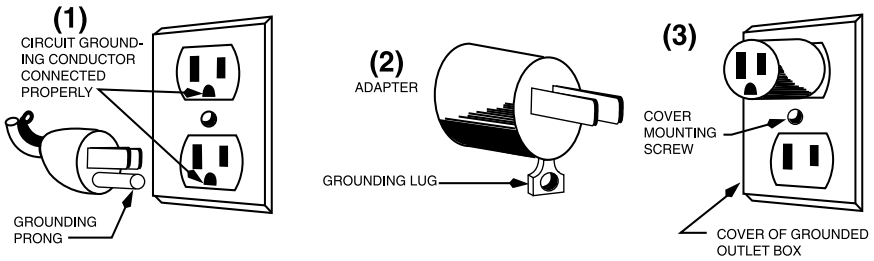
120 volt units are supplied with a molded 3-prong grounding-type plug (NEMA5-15P), and should be used in combination with a properly connected grounding-type outlet as shown in Figure 1.

If a grounding-type outlet is not available, an adapter, shown in Figure 2, may be obtained to enable a 2-slot wall outlet to be used with a 3-prong plug.

As shown in Figure 3, the adapter must be grounded by attaching its grounding lug under the screw of the outlet cover plate.

CAUTION: Before using an adapter, it must be determined that the outlet cover plate screw is properly grounded. If in doubt, consult a licensed electrician. Never use an adapter unless you are sure it is properly grounded.

NOTE: USE OF AN ADAPTER IS NOT PERMITTED IN CANADA. 220–240 volt “GS Safety Approved” units are supplied with a molded European grounding-type plug (CEE 7/7).



INTRODUCTION

The Waring® Commercial [WFP11S](#) and [WFP14S](#) food processors are the most versatile food processors in their class. They both feature a seal technology, unlike any other food processor in the industry, that enables operation with large volumes of liquid without the need to remove the S-blade while pouring. These professional machines take advantage of Waring’s 40 years of commercial food service experience as well as 30 years of food processing experience by the same technical, engineering, manufacturing and development teams that have made Waring® Commercial the best known name in food processors.

These machines are both ETL Sanitation and Commercial UL listed.

This instruction book describes two models. The [WFP11S](#) and [WFP14S](#). Both come with a sealed work bowl (also known as a batch bowl) and a sealed cutter blade (or S-blade) to CHOP, GRIND, PURÉE or MIX in the batch bowl. WHAT MAKES THIS MACHINE UNIQUE IS THAT THE BATCH BOWL ALSO ALLOWS YOU TO PROCESS ANYTHING IN THE BOWL, INCLUDING LARGE VOLUMES OF LIQUIDS, which means you can SHRED, GRATE, SLICE, PURÉE, LIQUIFY and MORE, directly in the bowl! The [WFP11S](#) and [WFP14S](#) are shipped from our factory with a starter kit that includes a 4mm ($\frac{5}{32}$ ") shredding disc, 4mm ($\frac{5}{32}$ ") slicing disc and 2mm ($\frac{5}{64}$ ") grating disc.

Many additional processing accessories are available for both models.

Size, Power and Convenience

The wide feed tube is convenient for large-volume processing of large foods; the motor shaft is built for durability; the housing,

work bowl, chute, covers and pushers are all made from durable polycarbonate for heavy-use conditions and easy cleanup. The clear bowl and processing covers are convenient for viewing food-processing results, as well as extremely sturdy for standing up to daily use.

THE PARTS

The Waring® Commercial **WFP11S** and **WFP14S** food processors both contain the following standard parts and accessories (see diagrams on next page):

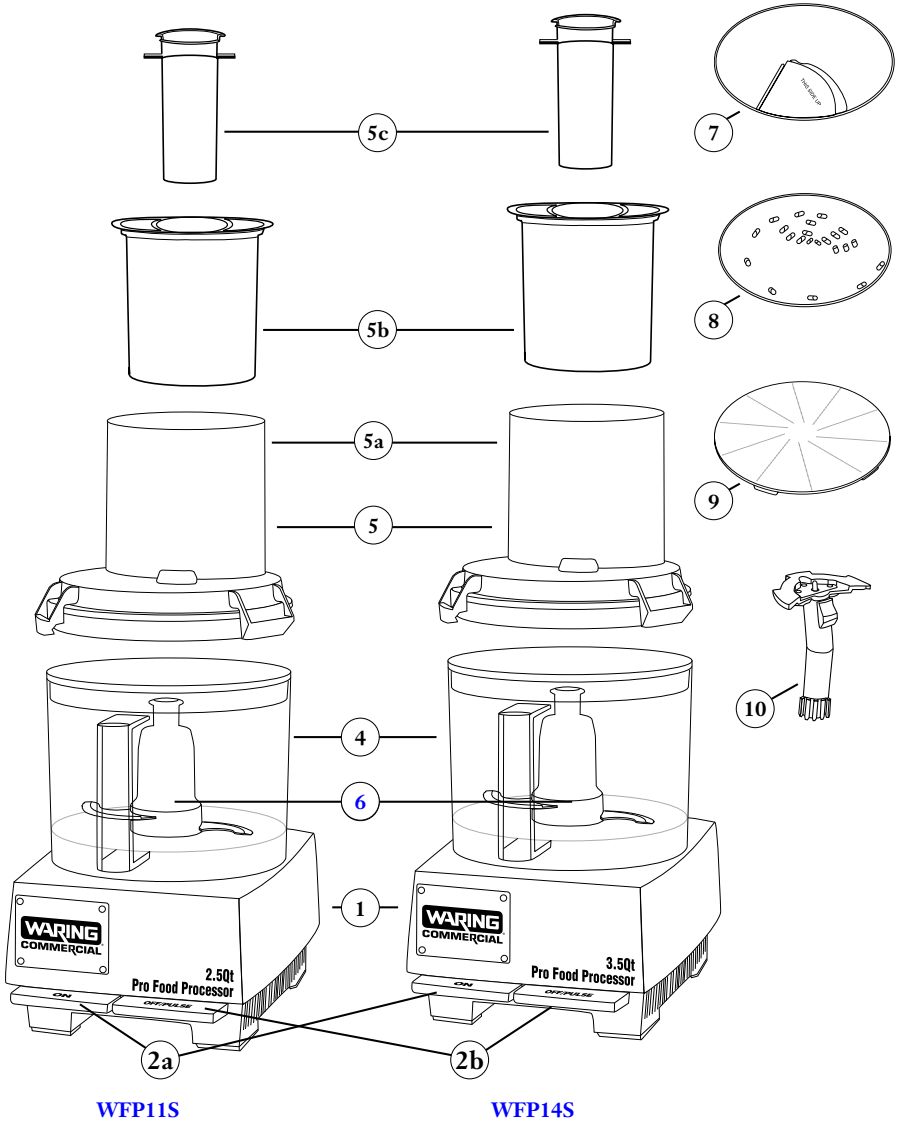
1. Solid polycarbonate motor base with vertical, heavy-duty shaft
2. Two control levers:
 - a. ON
 - b. PULSE/OFF
3. Safety interlock (not shown)
Prevents machine from operating until cover is in place
4. Sealed, clear work bowl
Dry capacity of 2.5 quarts for **WFP11S**
Dry capacity of 3.5 quarts for **WFP14S**
5. Sealed, clear work bowl cover
 - a. Large oval-shaped feed tube for maximum use of cutting surface
 - b. Large pusher with full-size and reduced-size feed options
 - c. Small pusher used within the large pusher for smaller vegetables, pepperoni, etc.

Note: This combination pusher allows use of the entire feed tube for large foods and provides controlled processing for small-diameter foods such as carrots, celery and pepperoni.

6. Sealed S-blade (cutter blade) to chop, grind, purée, liquify and more: Locks in place for liquid processing and easy pouring.
7. 4mm, 5/32" slicing disc
8. 4mm, 5/32" shredding disc
9. 2mm, 5/64" grating disc
10. Detachable stem: for use with processing discs

Note that all of the **WFP11S** and **WFP14S** accessory discs have a unique offset removable stem. The design of this stem increases the cutting/processing efficiency of these accessories.

THE PARTS (continued)



ASSEMBLY OF BATCH BOWL PARTS

WFP11S & WFP14S

We will use the terms work bowl, batch bowl and cutter bowl interchangeably throughout this instruction book. They mean the same thing.

- Clean and sanitize the motor base, and wash, rinse, and sanitize the bowl, cover, food pusher, food pusher insert and processing tools prior to initial use.
- Place the base on a counter or table near a 3-prong electrical outlet. Position it so you look at the front of the unit and can see the control levers. Be certain that the cord is unplugged and the OFF lever has been pressed. Do not plug in the cord until the processor is completely assembled.
- Pick up the clear work bowl, holding it in both hands with the handle toward you.
- Place the bowl on the base, fitting its central tube over the motor shaft on the base and placing its handle slightly to the left of front-center (at about a 7 o'clock position).
- Press the bowl down so the lower rim fits around the circular platform. Turn the bowl counterclockwise as far as it will go. It will lock into position with the tabs on the sides of the platform.

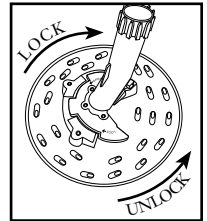
Read this if assembling the batch bowl parts to use S-blade (cutter blade).

- Pick up the metal blade, noting the diagram on the top of the plastic center. It matches the shape of the motor shaft.
- Place the S-blade over the tip of the motor shaft, lining up the inside of the hub with the shaft. Press it down firmly, rotating the center hub until the blade assembly is fully seated. It should easily drop into place. Push firmly to lock and seal S-blade hub in place. Be sure it is pushed down as far as it will go. If it is not all the way down, it may become damaged and any liquid may leak. Push only on the center section (plastic part); never touch the cutting blade as it is extremely sharp.
- Check to be sure the blade is all the way down by turning it back and forth while lightly pushing it down. If properly installed and fully seated, the lower blade will be positioned just above the inside bottom of the bowl.
- If processing food with the S-blade, now is the time to add the food or liquid to the work bowl.

- Always process dry food first, then add wet food.
- Do not fill liquid over “Max liquid fill” line. If too much liquid is used, it will overflow. In this case, stop operation, remove liquid to below “Max liquid fill” line and continue processing.

Read this if assembling batch bowl parts to use accessory discs in batch bowl.

- Do not put any food in the bowl before placing the accessory disc onto the shaft.
- Select the appropriate accessory disc: grating disc, shredding disc, or slicing disc.
- Hold the disc with the cutting side facing your hand. Be careful not to scrape your hand on the sharp edges. Notice the bottom of the disc has a plastic receptacle for the detachable stem. Holding the stem with your thumb on the release switch, place the center and right-most two tabs in the two open slots on the bottom of the disc and rotate clockwise. Refer to diagram.



- Once the stem is installed in the proper disc, carefully guide the center disc hub over the metal shaft so the double flats on the shaft line up with the disc stem. Put the disc on top of the shaft and rotate until it drops down and into place. Be sure it is pushed down as far as it will go. Push on the outside rim only; never touch the cutting blades. It should easily drop into place, but if not, then gently rock it back and forth until you feel the disc drop into place.

Note: Do not put any food in the bowl before placing the accessory disc onto the shaft.

- Place the cover on the bowl, with the feed tube on the left, slightly toward the front. The locking tabs on the cover should be at the left of the locking tabs on the rim of the work bowl.
- Rotate the cover counterclockwise to lock it into place. When the cover is rotated into place, the safety interlock tab on the back rim of the cover will activate the interlock mechanism and your food processor is ready to operate.

NOTE: The cover must be in place correctly, with the cover’s safety interlock tab firmly engaged, for the food processor to operate. This is an important safety feature.

NEVER ATTEMPT TO START THE FOOD PROCESSOR WITHOUT THE COVER LOCKED INTO POSITION.

Two Pushers for Feed Tube

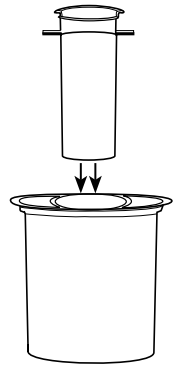
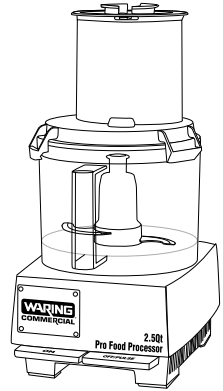
Pick up the large food pusher and the small food pusher. The large pusher is for processing larger vegetables. The smaller pusher nests in the larger pusher and can be used for smaller vegetables, guiding long, thin vegetables for more precise cuts, or for jobs like slicing pepperoni.

Large Pusher

Insert the small food pusher into the large food pusher opening. When it is fully inserted, rotate the small pusher clockwise to lock it into place. Now you are ready to insert the large pusher into the feed tube opening. Drop the pusher into the feed tube gently.

Small Pusher

To use the small pusher, rotate it counterclockwise to disengage the locking feature. Now you can lift the small pusher up and out of the large pusher. When using the small pusher, the large pusher becomes the feed tube for the small pusher.



DISASSEMBLY OF BATCH BOWL PARTS FOR WFP11S & WFP14S

ALWAYS UNPLUG THE CORD BEFORE DISASSEMBLING.

- Turn the bowl cover clockwise until the safety interlock tab on the cover is disengaged and the locking tabs are clear of the tabs on the bowl. The bowl handle will be at a position between 7 o'clock and 9 o'clock. In this position you can lift the cover off the bowl.
- Remove the large food pusher from the feed tube. Remove the small pusher from the large pusher.

Disassembly when removing the S-blade

- Remove the work bowl from the unit by rotating clockwise (left) to disengage the tabs on the bottom of the bowl platform from the work bowl. When the bowl handle is on the left (about 7 o'clock position), you can gently lift the bowl straight up and out.

It is recommended that you remove the bowl from the motor base before you remove the S-blade.

- To remove the blade, keep a slight downward pressure on the top of the center hub of the blade while removing the bowl from the motor base. This will form a seal to prevent food particles from spilling into the center tube of the bowl and onto the motor base or the work surface. **REMOVE ALL FOOD AND LIQUID BEFORE REMOVING S-BLADE, OR BOWL WILL LEAK.** Then remove the S-blade from the bowl by pulling upward to unlock the seal. Handle the S-blade with caution; the blades are extremely sharp.

Disassembly when removing an accessory disc

- Do not remove the work bowl until the accessory disc is removed.
- To remove an accessory disc, place your fingers on the outer edge of two opposite sides of the disc and lift. The disc should remove cleanly. To remove the detachable stem, hold the disc in one hand with the stem facing away from your hand. Be careful not to scrape your hand on any sharp edges; depress the release switch with your thumb and rotate counterclockwise.
- Remove the work bowl from the unit by rotating clockwise (left) to disengage the tabs on the bottom of the bowl platform from the work bowl. When the bowl handle is on the left (about 7 o'clock position), you can gently lift the bowl straight up and out.

OPERATING THE CONTROLS

- Plug the machine into an electrical outlet. The outlet must be 120V, 60Hz.
- There are two control levers located on the base of the machine. They are on the front and they give you fingertip control of processing. They are large enough to find easily in case of emergency.

The two controls are: ON
PULSE/OFF

How they work: ON: Press the lever down to start the motor.

PULSE/OFF: To turn the motor off, press the lever down and release.

To pulse the motor, press the PULSE/OFF lever down, then release. The motor will run as long as you hold the lever down; it stops when you release the lever. Try it a few times.

How to Use

Continuous use

For continuous processing, use the ON lever, which is located on the left.

Pulsing

The pulsing function is intended for use with the S-blade in the work bowl.

- For rapid on-off operation, called pulsing, use the PULSE/OFF lever located on the right. The motor runs as long as you hold the lever down; it stops when you release the lever.
- You control pulsing. You control the duration of each pulse by the amount of time you hold the lever down. You control the frequency of pulses by the rate at which you press the lever. The interval between pulses should be long enough to allow everything in the work bowl to fall to the bottom.
- Pulsing gives you precise control over chopping, mincing, blending and mixing. You can process food to any texture or consistency you want, from coarse to fine.
- Pulsing is also useful in processing hard foods. Pulse the food a few times to break up into smaller parts. Then proceed with continuous use after the pieces are broken up and easier to process.
- Always use the PULSE/OFF lever for pulsing. Never move the bowl and cover assembly on or off to control pulses. It is less efficient and could damage the machine.

Turning off

Always turn the machine off with the PULSE/OFF lever and wait until the blade or disc comes to a complete stop before removing the pusher assembly. The motor stops within seconds after the machine is turned off.

FOOD PREPARATION

- Prepare all food items to be processed by washing and peeling as required. Remove pits, stones, and large seeds.
- Cut vegetables, meats, cheeses, etc., into sizes that will fit into your choice of small feed tube or large feed tube for processing with accessory discs, or into sizes as required by your processing task.

- Preparation for slicing: Produce that is long and cylindrical, such as carrots, cucumbers and celery, should be cut flat at both ends. This will provide a consistent slice for all food processed.

FOOD PUSHER SELECTION

S-blade usage

The feed tube can be used for adding ingredients while the food processor is running. However, it is recommended that the food pushers be left in place whenever possible to prevent splashing and avoid unwanted additions to the work bowl.

Small pusher

This pusher with smaller chute is typically used when inserting vegetables vertically for smaller cuts. It should be used when slicing foods such as carrots, celery, pepperoni, etc., when a consistent, flat result is desired.

This pusher is also used when a shorter grate or slice is desired as opposed to a longer grate or slice using the larger feed tube and pusher.

Large pusher

This pusher with larger chute is typically used when inserting vegetables horizontally for longer cuts.

This pusher is used when a longer grate or slice is desired. It is also used when processing large volumes of food or bulky food items, such as potatoes or onions.

RESETTING THERMAL PROTECTION

The [WFP11S](#) & [WFP14S](#) food processors are equipped with an automatic reset switch to protect the motor from overheating.

If your food processor stops running under heavy use, push the power lever PULSE/OFF and unplug the power cord. Empty the work bowl of all its contents and discard. Allow approximately 5 minutes for the motor to cool down.

Reassemble unit, plug the power cord back into the outlet and run first with the bowl empty. Put food into the bowl and continue processing.

If your food processor does not function properly following this procedure, discontinue use and contact a Certified Waring Customer Service Center.

USE INSTRUCTIONS FOR S-BLADE (CUTTER BLADE) IN THE BATCH BOWL FOR WFP11S & WFP14S

- The sealed S-blade (cutter blade) is designed for chopping, grinding, puréeing, blending, mixing, and kneading of ingredients required in almost all recipes.
- Assemble the bowl and blade as instructed in the section titled “Assembly of Batch Bowl Parts” (see page 7).

Chopping and mincing

- To chop or mince in the bowl, fill the bowl with food product up to the top of the bowl’s inner tube, or up to $\frac{3}{4}$ full.
- To chop or mince most effectively, you must start and stop the blades quickly to control the consistency of the chop by pulsing. Use the PULSE/OFF lever to accomplish this as described under pulsing. Continue pulsing until the desired consistency has been reached.
- If chopped foods are processed continuously, the food will be processed unevenly, i.e., food on the bottom will be finely chopped and food on the top will be more coarse.

Chopping meat

Cut meat into 1-inch (25.4 mm) pieces to ensure an even chop. Process no more than 1 pound of meat (for [WFP11S](#)) and 1.75 pounds of meat (for [WFP14S](#)). Press the PULSE/OFF lever 3 or 4 times at a rate of 1 second on, 1 second off. If the food is not chopped fine enough, let the processor run continuously for a few seconds. If the machine has trouble starting, reduce the amount of meat in the bowl and start again.

Chopping hard cheese

Place up to 8 oz. (for [WFP11S](#)) and 3 cups (for [WFP14S](#)) of uniform 1-inch (25.4mm) cubes of chilled cheese into the bowl and pulse the machine with the PULSE/OFF lever. For powdered cheese, pulse until the cheese is in small chunks (pea size), then allow the processor to run continuously until you have fine powder. Cheese with a high moisture content can ball up if processed too long.

Chopping onions, celery, cabbage, etc.

Cut onions in quarters, and other vegetables into 1-inch (25.4mm) cubes. Place the cubed food into the work bowl up to the top of the bowl’s inner tube, and pulse until you reach the desired consistency.

NOTE: If you let the blade run too long, the ingredients on the bottom will become puréed or give you uneven results.

Purée or mix

To purée tomatoes, vegetables and fruits, make sauces, or mix and blend ingredients, place the ingredients into the bowl, turn the unit on and allow it to run continuously until you reach the desired consistency. Do not let the machine run unattended. If your recipe exceeds more than 10 cups of wet ingredients, please process in several batches.

Do not fill liquid past “Max liquid fill” line.

Turn the machine off with the PULSE/OFF lever.

- Always switch the food processor off by pressing and releasing the PULSE/OFF lever. This assures that the power is not supplied to the motor.
- Make sure the food processor is off and wait until rotation stops before removing the cover.
- While the safety interlock switch will turn the machine off if the cover is rotated clockwise, or the cover is removed while running, this should not be the means of ON/OFF operation.
- Before rotating the lid, always make sure the machine is off by pressing the PULSE/OFF lever as a safety precaution.

ACCESSORY DISC SELECTION AND USE

The **WFP11S** and **WFP14S** food processor disc accessories are made to perform a wide variety of food processing tasks: slicing, grating and shredding. Three (3) accessory discs are included with both the **WFP11S** and **WFP14S** food processors. As of this printing they are:

For use with **WFP11S:**

WFP118 – 4mm, 5/32" Slicing Disc

WFP115 – 4mm, 5/32" Shredding Disc

WFP113 – 2mm, 5/64" Grating Disc

For use with **WFP14S:**

WFP146 – 4mm, 5/32" Slicing Disc

WFP144 – 4mm, 5/32" Shredding Disc

WFP143 – 2mm, 5/64" Grating Disc

SLICING OPERATION

- Prepare all food items to be processed by washing and peeling as required. Remove pits, stones, and large seeds. Be sure the food will fit into the proper feed chute. Foods such as carrots, cucumbers, etc., should be cut flat at both ends to provide a consistent slice throughout the whole product.
- With foods like cabbage, lettuce or any product that has an undesirable core, the core should be removed. Medium size cabbage or lettuce heads may be cut into thirds to fit in the feed chute. Larger heads may need to be quartered.
- When food preparation is complete, fill the chosen feed chute, put the pusher in place, turn the machine on and monitor the results.
- Never try to slice soft cheese. Use only hard cheese. Mozzarella may be sliced only when well chilled. Pre-cut mozzarella must be 0.75" thick by 3.5" wide and 4" high (19mm x 89mm x 101mm) for the [WFP11S](#), and 1" thick by 3.5" wide and 4" high (25.4mm x 89mm x 101mm) for the [WFP14S](#). Place mozzarella in a freezer for 1 hour prior to slicing. Use PULSE/OFF lever only when slicing cheese.
- When sliced food reaches nearly full capacity of the bowl, remove all sliced food from the bowl.

GRATING OPERATION

- Prepare all food items to be processed by washing and peeling as required. Remove pits, stones, and large seeds. Be sure the food will fit into the proper feed chute.
- Select which feed tube to use. Horizontal placement of carrots will result in a long, grated product, while using the smaller chute and inserting the food vertically will give you a short, grated product.
- Never try to grate soft cheese. Use only hard cheese. Mozzarella may be grated only when well chilled. Pre-cut mozzarella must be 0.75" thick by 3.5" wide and 4" high (19mm x 89mm x 101mm) for the [WFP11S](#), and 1" thick by 3.5" wide and 4" high (25.4mm x 89mm x 101mm) for the [WFP14S](#). Place mozzarella in a freezer for 1 hour prior to grating. Use PULSE/OFF lever only when grating cheese.
- For grating cheese, it is recommended that a slight pulsating pressure be applied with the pusher, alternating push/no push until the cheese block is completely grated. Cheese grating puts more strain on the food processor motor than other tasks and may

cause overheating if too much pressure is applied in a continuous manner.

- You can typically expect to grate 10 pounds (4.5kg) of cheese in about five (5) minutes. It is recommended that you plan your food preparation in a manner that will allow for five minutes of grating, followed by five minutes of food preparation while the machine rests. After fifteen (15) minutes of continuous cheese grating, allow the machine to cool.
- When grated food reaches nearly full capacity of the bowl, remove all grated food from the bowl.

SHREDDING OPERATION

- Prepare all food items to be processed by washing and peeling as required. Remove pits, stones, and large seeds. Be sure the food will fit into the proper feed chute.
- Select which feed tube to use. Horizontal placement of foods such as carrots and zucchini will result in a longer, shredded product. Using the smaller chute and small pusher with food inserted vertically will yield a shorter, shredded product.
- Never try to shred soft cheese. Use only hard cheese. Mozzarella may be shredded only when well chilled. Pre-cut mozzarella must be 0.75" thick by 3.5" wide and 4" high (19mm x 89mm x 101mm) for the [WFP11S](#), and 1" thick by 3.5" wide and 4" high (25.4mm x 89mm x 101mm) for the [WFP14S](#). Place mozzarella in a freezer for 1 hour prior to shredding. Use PULSE/OFF lever only when shredding cheese.
- When shredded food reaches nearly full capacity of the bowl, remove all shredded food from the bowl.

TROUBLESHOOTING

This section describes potential problems and the correct solutions for them. Problems that cannot be solved with the guidelines listed below should be referred to one of the Waring Authorized Service Centers for assistance. A listing of authorized service agencies is supplied with each Waring food processor.

Unit does not start when assembled correctly

- Pull the plug and try plugging into another outlet.
- Press ON lever to ON.

- Make sure the bowl is properly positioned on the motor base, that the bowl cover is attached properly, and that the safety interlock tab on the cover has properly engaged the safety interlock switch.

Unit stops running during processing

- The unit may have overheated. Refer to Resetting Thermal Protection section (page 12).
- Turn unit off and unplug.
- Remove bowl attachment.
- Remove food being processed from inside the bowl and discard.
- Allow unit to cool for 5 minutes.
- Reassemble unit, and run first with the bowl empty, then put food into the bowl and try again.

Unit will not come up to full speed

- Bowl is overloaded – remove food being processed and reload using smaller quantities.

If unit does not operate after you have followed the above

- Check outlet to be sure there is current.
- Check to be sure circuit breaker is on.
- Check to be sure the fuse is not blown if there are fuses on this circuit.
- Call local Waring service agency.

If unit starts to spark or smoke

- Turn unit off, unplug it, and call local factory-authorized service agency.

If food processor makes grinding noise

- Turn unit off, unplug, disassemble, check bowl and blade to see if they have been rubbing together.
- If bowl and blade are rubbing, call your authorized Waring service agency.

CLEANING

Clean the food processor and accessories prior to initial use and after each use. Do not use harsh abrasive-type cleaners on any part of the food processor.

Wash the motor shaft with a small brush.

Wash, rinse, sanitize and dry the bowl, cover, small food pusher, large food pusher, accessory discs, and S-blade prior to initial use and after use, unless they will be used again immediately. With the exception of the WFP16S13 dicing assembly, these items are all dishwasher safe, and may be cleaned and rinsed in the dishwasher instead of manually in the sink. The dicing assembly (WFP16S13) grid and slicing blade are to be hand-washed only.

Wash and rinse all of the above items after each use.

A stiff bristle brush will help to knock food particles out of the crevices of the discs and blades before washing. Handle very carefully as the blades are sharp.

For manual cleaning, use only low-foaming powdered detergents formulated for cleaning dishware and cooking utensils. These products can be purchased from restaurant and commercial food service suppliers. Follow the detergent manufacturer's instructions.

Pre-clean stubborn food deposits with brush, and presoak in the detergent solution if necessary.

RINSE

Use only water to rinse.

SANITIZE

Use regular, unscented bleach diluted with water between 50°F and 120°F. Follow the food equipment cleaning instructions on the label to not exceed 200 ppm total available chlorine. The sanitizing dilutions are based on the hypochlorite concentration of the bleach. The dilutions for 2 commonly available bleach concentrations are:

-Hypochlorite: 5.25% – 3 teaspoons bleach per gallon of water

-Hypochlorite: 8.25% – 2 teaspoons bleach per gallon of water

Immerse in or alternately spray with sanitizing solution and soak for 2 minutes.

AIR-DRY

Drain sanitizing solution and allow parts to air-dry.

To clean and sanitize the motor base:

Clean and sanitize the motor base prior to initial use and after each use. Unplug the unit.

1. To clean: Wipe down the motor base with a wet cloth.
2. To sanitize: Wipe down the motor base with a soft cloth or sponge that has been dampened with sanitizing solution*. **DO NOT IMMERSER THE MOTOR BASE IN WASHING SOLUTION, RINSE WATER OR SANITIZING SOLUTION.**
3. Allow to air-dry.

*Use only sanitizing solutions recommended in this manual.

LIMITED WARRANTY

LIMITED FIVE YEAR MOTOR WARRANTY

LIMITED TWO YEAR PARTS AND LABOR WARRANTY

Waring Commercial warrants that this product's motor shall be free from defects in material and workmanship for a period of five years from the date of purchase when used with foodstuffs, nonabrasive liquids (other than detergents) and nonabrasive semi-liquids, providing it has not been subject to loads in excess of indicated rating. All other components are warranted for a period of two years from date of purchase.

Under this warranty, the Waring Commercial division will repair or replace any part which, upon our examination, is defective in materials and workmanship, provided the product is delivered prepaid to the Waring Service Center, 314 Ella T. Grasso Ave., Torrington, CT 06790, or any factory-approved service center.

This warranty does not: a) apply to any product that has become worn, defective, damaged or broken due to use or due to repairs or servicing by other than the Waring Service Center or a factory approved service center or due to abuse, misuse, overloading or tampering; b) cover incidental or consequential damages of any kind.

This warranty is applicable only to appliances used in the United States or Canada; this supersedes all other express product warranty or guaranty statements. For Waring products sold outside of the U.S. and Canada, the warranty is the responsibility of the local importer or distributor. This warranty may vary according to local regulations.

This warranty is void if appliance is used on Direct Current (DC current).

MEDIDAS DE SEGURIDAD IMPORTANTES

Siempre que use aparatos eléctricos, debe tomar precauciones básicas de seguridad, entre las cuales las siguientes:

1. **Lea todas las instrucciones.**
2. Las cuchillas son muy filosas. Manipúlelas con sumo cuidado.
3. Como todo electrodoméstico, su robot de cocina Waring® debe usarse con mucha precaución. Aunque no se necesita mucha preparación para operar este aparato, sólo debería ser usado por personas responsables y cuidadosas. No debería ser usado por o cerca de niños o personas con alguna discapacidad.
4. Para reducir el riesgo de heridas, asegúrese que el recipiente esté debidamente ensamblado antes de instalar la cuchilla o el disco.
5. Para reducir el riesgo de herida seria o de daño al aparato, mantenga las manos y los utensilios alejados de la cuchilla o del disco durante el funcionamiento. Se podrá usar una espátula de goma, siempre en cuando el aparato esté apagado.
6. Para reducir el riesgo de electrocución, no coloque el bloque-motor en agua u otro líquido.
7. Desconecte el aparato cuando no esté en uso, antes de instalar o de remover piezas, antes vaciar el bol y antes de limpiarlo. Para desconectar el aparato, coja el cable por la clavija. Nunca jale el cable.
8. Evite el contacto con las piezas móviles. Nunca introduzca la mano en la boca de llenado. Siempre utilice el empujador.
9. Espere hasta que el motor se haya detenido completamente antes de remover la tapa.
10. No opere este aparato si el cordón o la clavija estuviesen dañados, después de que hubiese “funcionado mal o que se hubiese caído o si estuviese dañado. Regrese el aparato a un centro de servicio autorizado para su revisión, reparación o ajuste.
11. El uso de accesorios no recomendados o vendidos por el fabricante presenta un riesgo de incendio, electrocución o herida.

12. No lo utilice en exteriores.
13. No permita que el cordón cuelgue del borde de la encimera o de la mesa, ni que haga contacto con superficies calientes.
14. Este aparato está homologado por UL para uso comercial. Utilícelo únicamente con el propósito para el cual fue diseñado, según se describe en este manual de instrucciones.
15. No intente forzar el mecanismo de bloqueo de seguridad de la tapa.
16. Asegúrese que la tapa esté debidamente cerrada antes de encender el aparato.
17. En caso de mal funcionamiento durante el uso, tire el contenido del bol a la basura.
18. Los niños o las personas que carezcan de los conocimientos o la experiencia necesarios para manipular el aparato, o aquellas cuyas capacidades físicas, sensoriales o mentales estén limitadas, no deben utilizar el aparato sin la supervisión o la dirección de una persona responsable por su seguridad.
19. Asegúrese que los niños no jueguen con este aparato.

GUARDE ESTAS INSTRUCCIONES APROBADO PARA USO COMERCIAL

INSTRUCCIONES DE PUESTA A TIERRA

Para su protección, este aparato está equipado con un cable eléctrico con conductor de tierra.

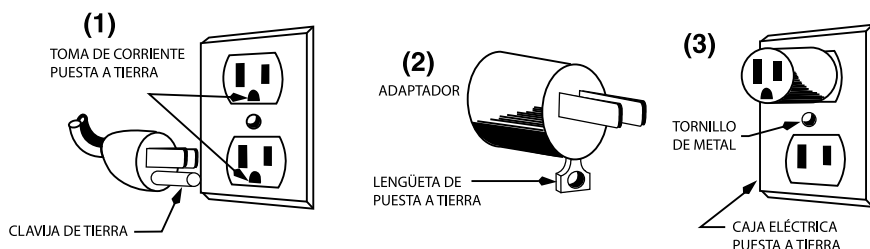
Los aparatos de 120V están equipados con clavija de tierra de tipo NEMA5-15P, la cual debe ser conectada a un tomacorriente debidamente puesto a tierra (Fig. 1).

Si un tomacorriente puesto a tierra no está disponible, se podrá usar un adaptador para conectar el aparato a un tomacorriente polarizado (Fig. 2).

El adaptador debe ser puesto a tierra mediante un tornillo de metal que conecte la lengüeta del adaptador a la placa del tomacorriente (Fig. 3).

PRECAUCIÓN: Antes de conectar el adaptador, asegúrese que el tomacorriente esté puesto a tierra. Si no está seguro, comuníquese con un electricista. Nunca use un adaptador sin estar seguro de que el tomacorriente esté puesto a tierra.

NOTA: Está prohibido usar un adaptador en el Canadá. Los aparatos de 220–240V, homologados por GS, están equipados con un enchufe europeo CEE 7/7.



INTRODUCCIÓN

Los robots de cocina **WFP11S** y **WFP14S** de Waring Commercial® son los aparatos más versátiles de su categoría. Está equipados con un sello hermético único que permite procesar altas cantidades de líquido y vaciar el bol sin tener que sacar la cuchilla. El resultado de 40 años de experiencia en la industria de la restauración y 30 años de experiencia en preparación culinaria, estos aparatos profesionales son el fruto del trabajo de los mismos investigadores, ingenieros, técnicos y obreros que han hecho de Waring Commercial la marca de robots de cocina más reconocida del mercado.

Ambos aparatos están homologados “ETL Sanitation” y “Commercial UL”.

Dos modelos están presentados en este manual de instrucciones: el **WFP11S** y el **WFP14S**. Ambos modelos están equipados con un bol y una cuchilla herméticos. La cuchilla permite PICAR, MOLER, LICUAR o MEZCLAR. ¡Lo que destaca a estos aparatos de los demás, es su ALTA CAPACIDAD LÍQUIDA que hace que usted puede RALLAR, REBANAR, LICUAR, MEZCLAR Y MUCHO MÁS, directamente en el bol! Los accesorios estándares que acompañan el **WFP11S** y el **WFP14S** incluyen un disco triturador de 4 mm, un disco rebanador de 4 mm y un disco rallador de 2 mm.

Muchos otros accesorios también están disponibles.

Alta capacidad, potencia y comodidad

Los nuevos robots de cocina de Waring Commercial están equipados con una boca de llenado ancha, para reducir el tiempo de preparación, un sólido y duradero árbol motor, y un bloque-motor, bol, tapa y empujadores de policarbonato, resistentes y fáciles de limpiar. El bol y la tapa transparentes son prácticos y han sido diseñados para tolerar el uso intensivo de los profesionales, día tras día.

PIEZAS

Los robots de cocina de **WFP11S** y **WFP14S** incluyen las piezas y accesorios siguientes: (ver el diagrama a continuación)

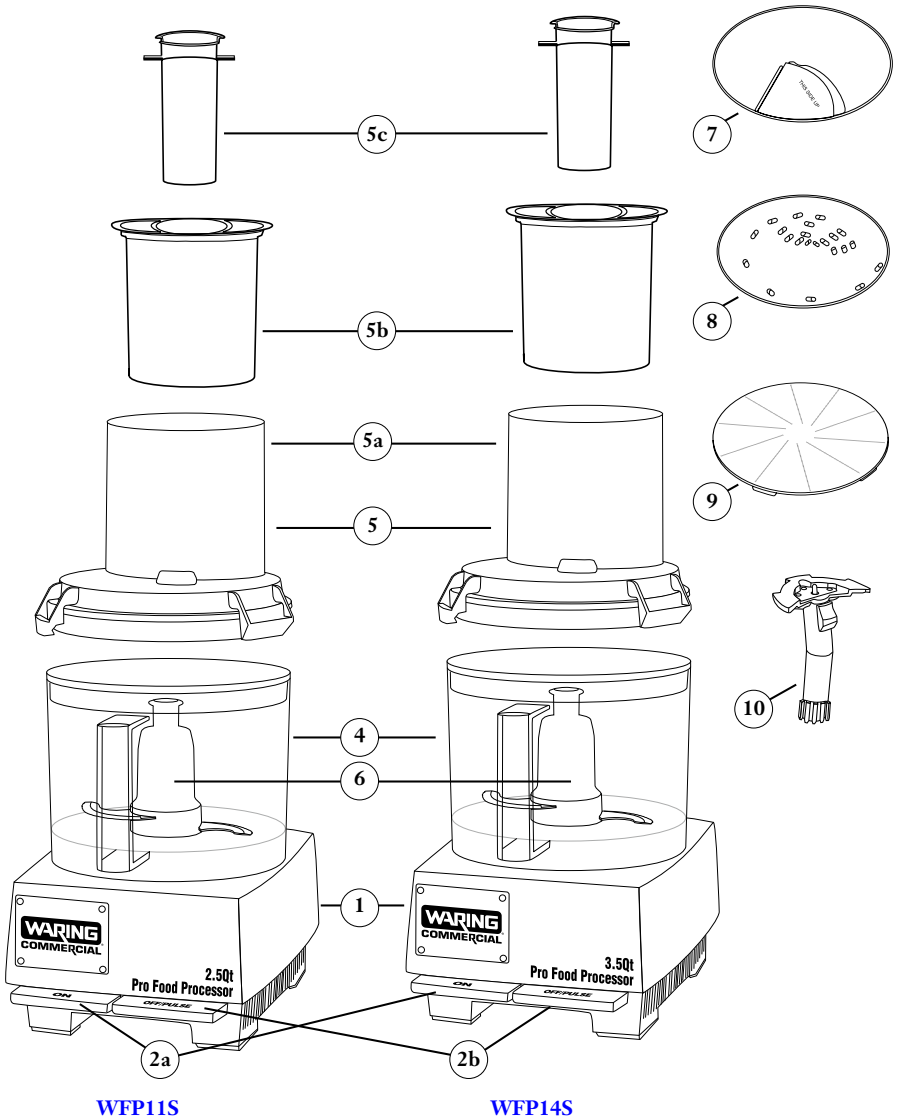
1. Sólido bloque-motor de policarbonato con resistente bloque-motor
2. Dos botones de control
 - a. ON (encendido continuo)
 - b. OFF/PULSE (apagado/pulso)
3. Mecanismo de bloqueo de seguridad (no enseñado)
Impide que el aparato se ponga en marcha a menos que la tapa esté debidamente cerrada
4. Tazón transparente hermético
Capacidad de 2.5 L (**WFP11S**)
Capacidad de 3.5 L (**WFP14S**)
5. Tapa transparente hermética
 - a. Boca de llenado ovalada ancha, para reducir el tiempo de preparación
 - b. Empujador grande, ideal para los alimentos grandes
 - c. Empujador pequeño, ideal para los alimentos finos (zanahorias, apio, salchicha, etc.)

Nota: El empujador pequeño encaja en el empujador grande. Este sistema de empujadores 2-en-1 permite procesar una gran variedad de alimentos.
6. Cuchilla hermética que evita los derrames y permanece en posición al vaciar el bol. Ideal para picar, moler, licuar o mezclar.
7. Disco rebanador de 4 mm
8. Disco triturador de 4 mm

9. Disco rallador de 2 mm

10. Adaptador amovible

Nota: los discos proveídos con los modelos WFP11S y WFP14S deben usarse con el adaptador amovible. Éste ha sido especialmente diseñado para aumentar su eficacia.



ENSAMBLADO DEL BOL

WFP11S & WFP14S

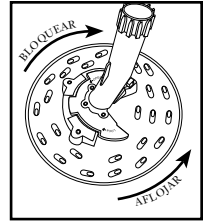
- Antes de usar el aparato por primera vez: Limpie y desinfecte el bloque-motor. Lave, enjuague y desinfecte el bol, la tapa, los empujadores y los accesorios.
- Coloque el aparato sobre una mesa o una encimera, cerca de un tomacorriente. Posiciónelo de manera que esté fácilmente accesible. Asegúrese que el aparato esté desconectado y apagado (OFF). No enchufe el aparato hasta haber terminado de ensamblar todas las piezas.
- Sostenga el bol con ambas manos, de manera que el asa apunte hacia su cuerpo.
- Haga coincidir el árbol motor con el cilindro en el centro del bol e instale el bol sobre la base. El asa se encontrará ligeramente a mano izquierda.
- Presione el bol hasta que encaje con la plataforma circular del bloque-motor. Gírelo en sentido antihorario para sujetarlo. El bol se bloqueará cuando las anclas en el lado de la plataforma encajen con el mismo.

Instalación de la cuchilla

- Sostenga la cuchilla por el eje de plástico. Note la forma del eje. Éste ha sido diseñado para adaptarse al árbol motor.
- Haga coincidir el eje de la cuchilla con el árbol motor. Presione hacia abajo mientras gira la cuchilla. No debería encontrar resistencia. Presione con firmeza para sellar la cuchilla. Compruebe que esté bien asentada. En el caso contrario, podría dañarse y líquido podría derramarse. Los filos de la cuchilla son muy afilados. Nunca los toque. Siempre sostenga la cuchilla por la parte de plástico.
- Asegúrese que la cuchilla esté bien asentada, volteándola de un lado a otro. La cuchilla debería encontrarse prácticamente en el fondo del bol.
- Si usted desea utilizar el aparato con la cuchilla, puede agregar los ingredientes ahora.
- Procese los ingredientes secos, y luego los ingredientes líquidos.
- No pase la línea "MAX". Esto podría provocar un derrame. Si esto ocurriera, apague el aparato y vacíe parcialmente el bol.

Instalación de los discos

- No llene la boca de llenado antes de haber instalado el disco.
- Elija el disco deseado.
- Sostenga el disco con el lado cortante hacia la palma de su mano, teniendo cuidado de no cortarse. Conecte el disco al adaptador. Oprimir el botón de liberación del adaptador, instale éste en el centro del disco y gire en sentido horario. Véase el dibujo a continuación.



- Una vez el disco conectado al adaptador, haga coincidir el adaptador con el árbol motor, de manera que las hendiduras en el adaptador coincidan con los resaltos en el árbol, y empuje para sujetarlo. Ponga el disco sobre el adaptador y gire hasta que encaje. Compruebe que esté bien asentada. Apriete los bordes del disco únicamente. Nunca toque los filos. No debería encontrar resistencia. En el caso contrario, gire ligeramente el disco hasta que encaje.

Nota: No llene la boca de llenado antes de haber instalado el disco.

- Coloque la tapa encima del bol, con la boca de llenado apuntando ligeramente hacia la derecha. Las anclas de la tapa deberían encontrarse a la izquierda de las anclas ubicadas en la parte delantera del bol.
- Gire la tapa en sentido antihorario para sujetarla. Una vez encajadas, las anclas desactivarán el sistema de seguridad magnético y se podrá encender el aparato.

NOTA: El aparato no se pondrá en marcha a menos que la tapa esté debidamente cerrada. Este mecanismo de seguridad es muy importante.

NUNCA INTENTE ENCENDER EL APARATO SI LA TAPA NO ESTÁ DEBIDAMENTE CERRADA.

Juego de empujadores 2-en-1

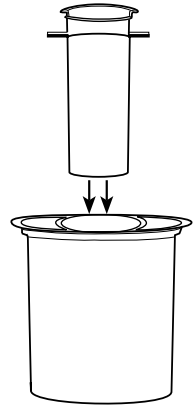
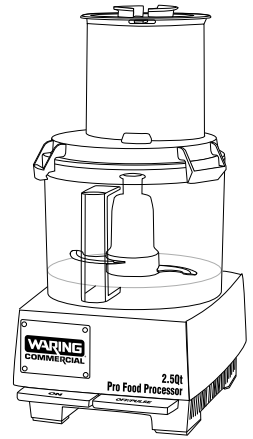
El juego de empujadores incluye dos empujadores: un empujador grande que encaja en la boca de llenado y un empujador pequeño que encaja en el empujador grande. Elija el empujador deseado. Utilice el empujador grande para cortar las verduras grandes. Utilice el empujador pequeño para cortar las verduras pequeñas o finas, o para tareas precisas, como cortar salchicha en rodajas.

Empujador grande

Introduzca el empujador pequeño en el centro del empujador grande. Gire entonces el empujador pequeño en sentido antihorario para sujetarlo. Introduzca el empujador grande en la boca de llenado. No lo empuje con mucha fuerza.

Empujador pequeño

Gire el empujador pequeño en sentido horario. Retírelo del empujador grande. Introduzca los alimentos en el centro del empujador grande y empújelos con el empujador pequeño.



DESENSAMBLADO DEL BOL

WFP11S & WFP14S

SIEMPRE DESENCHUFE EL APARATO ANTES DE DESENSAMBLARLO.

- Gire la tapa en sentido horario hasta desencajar las anclas. El asa del recipiente debería encontrarse a mano izquierda. Retire la tapa.
- Retire el empujador grande de la boca de llenado. Retire el empujador pequeño del empujador grande.

Remoción de la cuchilla:

- Gire el recipiente en sentido horario para liberar las anclas. El asa debe encontrarse a mano izquierda para poder alzar el bol.

Le aconsejamos que remueva el bol del bloque-motor antes de sacar la cuchilla.

- Apriete la cuchilla mientras alza el bol. Esto impedirá que los alimentos se derramen hacia el bloque-motor. **IMPORTANTE: VACÍE EL BOL ANTES DE REMOVER LA CUCHILLA.** Para remover la cuchilla del bol, simplemente álcela. Los filos de la cuchilla son muy afilados. Manipúlela con sumo cuidado.

Remoción de los discos:

- Remueva el disco antes de remover el bol de la base.
- Sostenga el disco por los costados, entre dos dedos, y álcelo. Debería salir fácilmente. Para remover el adaptador amovible, sostenga el disco en una mano, teniendo cuidado de no cortarse. Oprima el botón de liberación del adaptador ubicado sobre éste y gire en sentido antihorario.
- Gire el recipiente en sentido horario para liberar las anclas. El asa debe encontrarse a mano izquierda para poder alzar el bol.

FUNCIONAMIENTO DEL APARATO

Enchufe el cable en un tomacorriente de 120V (60 Hz).

- El aparato cuenta con dos botones de control, los cuales son convenientemente posicionados, fáciles de usar y suficientemente grandes como para encontrarse fácilmente en caso de emergencia.

Los dos controles son: ON (encendido continuo)
 PULSE/OFF (pulso/apagado)

Modo de funcionamiento: ON: Oprima este botón para encender el aparato.
 PULSE/OFF: Oprima este botón una vez para apagar el aparato.
 Oprímalo repetidamente para usar la función de pulso. El motor permanecerá encendido hasta que suelte el botón. Pruébalo varias veces.

MODO DE EMPLEO

Encendido continuo

Oprima el botón ON.

Función de pulso

La función de pulso solamente debe usarse con la cuchilla, no con los discos.

- Para usar la función de pulso, oprima repetidamente el botón PULSE/OFF. El motor permanecerá encendido hasta que suelte el botón.
- La función de pulso le ofrece más control, ya que le permite controlar con precisión la cantidad y la duración de cada pulso. Permita que los alimentos bajen al fondo del bol entre dos pulsos.
- La función de pulso es muy conveniente para controlar la consistencia de los alimentos. Permite obtener exactamente los resultados deseados.
- También es conveniente para picar alimentos duros. Utilice la función de pulso para quebrar los alimentos, luego termine de picarlos con la función de encendido continuo.
- Siempre utilice el botón PULSE/OFF para activar la función de pulso. Nunca intente controlar las pulsaciones moviendo el bol o la tapa. Esto podría dañar el aparato.

Para apagar el aparato:

Siempre oprima el botón PULSE/OFF y espere hasta que la cuchilla o el disco esté completamente inmóvil antes de abrir la tapa. Esto demorará tan sólo segundos.

PREPARACIÓN DE LOS ALIMENTOS

- Lave todos los alimentos antes de procesarlos. Pele las frutas/verduras si fuera necesario. Quite las pepas, pepitas y semillas grandes.
- Corte los alimentos, por ejemplo las verduras, la carne o el queso, al tamaño deseado. Si desea utilizar los discos, los pedazos deberían caber en la boca de llenado.
- Preparación para rebanar: Corte ambos lados de los alimentos largos como las zanahorias, los pepinos o el apio. Esto mejorará la consistencia de las rodajas.

SELECCIÓN DEL EMPUJADOR

Nota – Cuando use la cuchilla:

Aunque puede introducir alimentos en la boca de llenado durante el funcionamiento, es preferible dejar el empujador grande puesto en la boca de llenado para evitar salpicaduras.

Empujador pequeño

El empujador pequeño sirve para empujar los alimentos introducidos verticalmente en el centro del empujador grande. Permite obtener pedazos más cortos. Se usa típicamente para cortar en rodajas zanahorias, apio, salchicha seca y otros alimentos largos y finos.

Es ideal para rallar en pedazos cortos y cortar en rodajas pequeñas.

Empujador grande

El empujador grande sirve para empujar alimentos introducidos horizontalmente en la boca de llenado. Permite obtener pedazos más largos.

Se usa típicamente para rallar en pedazos largos, cortar en rodajas largas y procesar alimentos enteros, como papas o cebollas.

DISPOSITIVO DE PROTECCIÓN DEL MOTOR

Este aparato está dotado de un dispositivo de protección térmica que apaga automáticamente el motor en caso de recalentamiento.

Si esto ocurriera, apague y desenchufe el aparato. Vacíe el bol y tire los alimentos procesados. Permita que el motor enfríe durante 5 minutos.

Vuelva a conectar el aparato y hágalo funcionar, vacío, durante algunos segundos. Luego, llene el bol y continúe.

Si el aparato no funcionara debidamente después seguir estos pasos, deje de usarlo y comuníquese con un centro de servicio autorizado.

USO DE LA CUCHILLA

- La cuchilla ha sido diseñada para picar, moler, pisar, mezclar, emulsionar y amasar una gran variedad de ingredientes.
- Ensamble el bol, según se describió en la sección “Ensamblado del bol”.

Picar y moler

- Ponga los alimentos en el bol, sin pasar la cumbre del cilindro de plástico o los $\frac{3}{4}$ del bol.
- Para lograr resultados óptimos, utilice la función de pulso. Oprima, y luego afloje el botón PULSE/OFF según se describió en la sección “función de pulso”. Siga procesando hasta obtener la consistencia deseada.
- No utilice la función de encendido continuo, porque puede producir resultados irregulares (como alimentos picados más fino en el fondo del bol).

Picar carne

Corte la carne en pedazos de 2.5 cm para obtener resultados más homogéneos. No procese más de 450 g de carne con el modelo WFP11S o 680g con el modelo WFP14S. Oprima el botón PULSO/OFF 3 ó 4 veces seguida, esperando 1 segundo entre cada pulso. Para obtener una textura más fina, utilice el modo continuo (ON) durante varios segundos. Si el aparato tiene dificultades para picar, saque un poco de carne del bol.

Picar/moler queso duro

Corte el queso (bien refrigerado) en cubitos de aproximadamente 2.5 cm y póngalos en el bol, sin exceder la capacidad máxima de 225 g (WFP11S) ó 350 g (WFP14S). Oprima repetidamente el botón PULSE/OFF hasta obtener la consistencia deseada. Si desea moler el queso, utilice la función de pulso para conseguir pedacitos del tamaño de guisantes, luego utilice la función de encendido continuo hasta obtener un polvo fino. Obtendrá mejores resultados con los quesos secos. Los quesos más grasos suelen aglomerarse.

Picar cebolla, apio, col, etc.

Corte las cebollas en cuartos y las demás verduras en pedazos de 2.5 cm. Ponga los pedazos en el bol, sin pasar la cumbre del cilindro de plástico.

Nota: No pique demasiado. Esto producirá resultados irregulares o convertirá los alimentos que se encuentran en el fondo del bol en puré.

Licuar o mezclar

Para preparar puré de frutas o verduras, montar salsas o mezclar ingredientes líquidos, ponga los ingredientes en el bol y utilice la función de encendido continuo hasta obtener la consistencia deseada. No deje el aparato desatendido. La capacidad del bol es de 2,5 litros de ingredientes líquidos. Procese los ingredientes en varias veces si fuera necesario.

No pase la línea “MAX”.

APAGAR EL APARATO

- Siempre oprima el botón PULSE/OFF para apagar el aparato. Esto apagará el motor.
- Siempre apague el aparato y espere hasta que la cuchilla o el disco esté totalmente inmóvil antes de retirar la tapa.
- Aunque el sistema de seguridad apaga el aparato al girar o remover la tapa, este método no debería usarse para apagar el aparato.
- Como precaución, siempre oprima el botón PULSE/OFF antes de abrir la tapa.

SELECCIÓN DEL DISCO

Los discos incluidos con los modelos [WFP11S](#) y [WFP14S](#) son capaces de llevar a cabo una gran variedad de tareas de preparación. Los modelos [WFP11S](#) y [WGP14S](#) incluyen tres discos. En el momento de la impresión, se tratan de los accesorios siguientes:

WFP11S:

Disco rebanador de 4 mm (WFP118)

Disco triturador de 4 mm (WFP115)

Disco rallador de 2 mm (WFP113)

WFP14S:

Disco rebanador de 4 mm (WFP146)

Disco triturador de 4 mm (WFP144)

Disco rallador de 2 mm (WFP143)

USO DEL DISCO REBANADOR

- Lave todos los alimentos antes de procesarlos. Pele las frutas/verduras si fuera necesario. Quite las pepas, pepitas y semillas

grandes. Corte los alimentos en pedazos más pequeños si fuera necesario. Corte ambos lados de los alimentos largos como las zanahorias, los pepinos o el apio.

- Quite el corazón de las verduras como la col y la lechuga. Corte los coles y las lechugas medianas en tres pedazos. Corte los coles y las lechugas más grandes en cuatro pedazos.
- Tras haber preparado los alimentos, introdúzcalos en la boca de llenado deseada, inserte el empujador y encienda el aparato.
- Nunca intente cortar queso suave en rodajas. Solamente use queso duro. Puede rebanar mozzarella, pero solamente después de congelarla. No utilice pedazos de más de 2 x 9 x 10 cm con el modelo [WFP11S](#) o 2,5 x 9 x 10 cm con el modelo [WFP14S](#). Refrigere la mozzarella durante 1 hora antes de rebanarla. Siempre utilice la función de pulso (PULSE/OFF) para rebanar queso.
- Vacíe el bol antes de que el queso alcance la capacidad máxima.

USO DEL DISCO RALLADOR

- Lave todos los alimentos antes de procesarlos. Pele las frutas/verduras si fuera necesario. Quite las pepas, pepitas y semillas grandes. Corte los alimentos en pedazos más pequeños si fuera necesario.

Coloque los alimentos en la boca de llenado deseada, horizontalmente para obtener pedazos largos o verticalmente para obtener pedazos cortos.

- Nunca intente rallar queso suave. Solamente use queso duro. Puede rallar mozzarella, pero solamente después de congelarla. No utilice pedazos de más de 2 x 9 x 10 cm con el modelo [WFP11S](#) o 2,5 x 9 x 10 cm con el modelo [WFP14S](#). Refrigere la mozzarella durante 1 hora antes de rallarla. Siempre utilice la función de pulso (PULSE/OFF) para rallar queso.
- Para evitar que el motor sobrecaliente, se aconseja empujar, y luego aflojar el empujar sucesivamente, hasta que el queso esté rallado. Rallar queso cansa el motor más que otras tareas. Por eso es preferible no ejercer presión continua.
- Este robot puede rallar hasta 4.5 kg de queso en menos de 5 minutos. Permita que el aparato descanse durante 5 minutos después de 5 minutos de funcionamiento continuo. Permita que el aparato enfríe después de 15 minutos de funcionamiento.
- Vacíe el bol antes de que el queso alcance la capacidad máxima.

USO DEL DISCO TRITURADOR

- Lave todos los alimentos antes de procesarlos. Pele las frutas/verduras si fuera necesario. Quite las pepas, pepitas y semillas grandes. Corte los alimentos en pedazos más pequeños si fuera necesario.

Coloque los alimentos en la boca de llenado deseada, horizontalmente para obtener pedazos largos, o verticalmente para obtener pedazos cortos.

- Nunca intente triturar queso suave. Solamente use queso duro. Refrigere la mozzarella antes de triturarla. No utilice pedazos de más de 2 x 9 x 10 cm con el modelo [WFP11S](#) o 2,5 x 9 x 10 cm con el modelo [WFP14S](#). Refrigere la mozzarella durante 1 hora antes de triturarla. Siempre utilice la función de pulso (PULSE/OFF) para triturar queso.
- Vacíe el bol antes de que el queso alcance la capacidad máxima.

CÓMO VACIAR EL BOL

1. Apague el aparato y espere hasta que la cuchilla esté completamente inmóvil antes de retirar la tapa.
2. Retire el bol de la base. Si está bloqueado, sosténgalo por el asa y gírelo rápidamente de la derecha a la izquierda.
3. Si está usando un disco, retírelo antes de vaciar el bol. Si está usando la cuchilla, puede dejarla en el bol para vaciarlo. Utilice una espátula para vaciar el bol. **NUNCA INTRODUZCA LOS DEDOS EN EL BOL CUANDO LA CUCHILLA AÚN ESTÁ ADENTRO DE ÉSTE.**

RESOLUCIÓN DE PROBLEMAS

Esta sección describe los problemas más comunes. Si esta lista no soluciona su problema, por favor comuníquese con su distribuidor local. Consulte la lista de los centros de servicio autorizados, proveída con el aparato.

El aparato no se enciende

- Desconecte el aparato y enchúfelo en otro tomacorriente.
- Oprima el botón ON .
- Asegúrese que el bol esté debidamente instalado, que la tapa esté bien cerrada y que las anclas estén encajadas.

El aparato se apaga durante el uso

- Puede que el motor haya sobrecalentado. Véase la sección “Dispositivo de protección del motor”.
- Apague y desconecte el aparato.
- Retire el bol del bloque-motor.
- Vacíe el bol.
- Permita que el aparato enfríe durante 5 minutos.
- Vuelva a instalar el bol, cierre la tapa y haga funcionar el aparato, vacío, durante unos segundos antes de volver a llenar el bol.

El aparato no alcanza la velocidad máxima

- Vacíe el bol e intente procesar menos alimentos a la vez.

Si el aparato aún no funciona correctamente:

- Averigüe que el tomacorriente está funcionando.
- Averigüe que el cortacircuito está encendido.
- Averigüe que el fusible no está quemado.
- Comuníquese con el centro de servicio autorizado más cercano.

El aparato produce chispas o humo

- Apague y desconecte el aparato. Comuníquese con un centro de servicio autorizado.

El aparato rechina

- Apague y desconecte el aparato. Averigüe que la cuchilla no está tocando el bol.
- Si la cuchilla está tocando el bol, comuníquese con el distribuidor local.

LIMPIEZA

Limpie el aparato y todos los accesorios antes del primer uso y después de cada uso. No utilice detergentes abrasivos en ninguna parte del aparato. La limpieza debe respetar las pautas de la NSF.

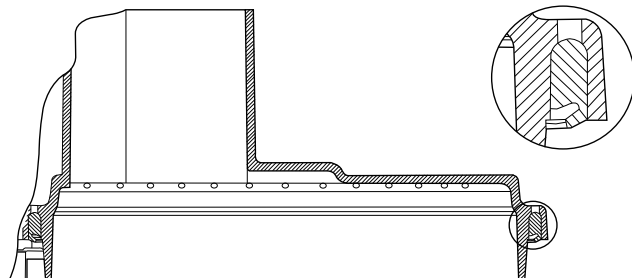
Restriegue el árbol motor con un cepillo pequeño.

Lave, enjuague, desinfecte y seque el bol, el bol para procesado continuo, las tapas, los empujadores, los discos y la cuchilla antes del primer uso y después de cada uso, al menos que los vuelva a utilizar inmediatamente. Todos los accesorios son aptos para lavavajillas.

Seque todos los accesorios antes de ensamblarlos otra vez.

El sello hermético de la tapa es removible y debe limpiarse regularmente. Notará tres pequeños orificios en el borde de la tapa. Para retirar el sello, simplemente introduzca un objeto fino como un palillo o un clip en los orificios y empuje el sello fuera de la ranura. **NO UTILICE OBJETOS AFILADOS. ESTO PODRÍA LASTIMAR EL SELLO.** Lave el sello en agua jabonosa tibia, y luego enjuáguelo y séquelo. Una vez seco, inserte el borde redondeado del sello en la ranura, apretando todo alrededor con los dedos. Asegúrese que el sello esté bien puesto. Véase el dibujo a continuación.

Nota: La solapa del sello debe apuntar hacia abajo y dentro.



Restriegue la cuchilla y los discos con un cepillo duro antes de lavarlos. Manipule los discos y la cuchilla con sumo cuidado. Sus filos son muy afilados.

Para lavar los accesorios a mano, le recomendamos que utilice soluciones limpiadoras a base de detergente sin espuma y soluciones desinfectantes con una concentración mínima de cloro de 100 ppm. Se podrán usar las soluciones siguientes o sus equivalentes:

SOLUCIÓN	PRODUCTO	PROPORCIÓN DE DILUCIÓN	TEMPERATURA
Para limpiar	*Ajax® en polvo	2 cucharadas por 9.5 litros de agua	Caliente 46 °C (115 °F)
Para enjuagar	Agua		Tibia 35 °C (95 °F)
Para sanear	**Cloro ordinario o Clorox®	1 cucharada por 4 litros de agua	Fría 10 °C (50 °F)

Limpeza del bloque-motor

Limpie y sanee el bloque-motor antes del primer uso y después de cada uso. Desconecte el aparato y limpie la base con una

*Ajax® es una marca registrada de Colgate-Palmolive Company.

**Clorox® es una marca registrada de Clorox Company.

esponja o un paño ligeramente humedecido con detergente líquido. Después, enjuague la base con una esponja o un paño ligeramente humedecido con agua. Estruje bien la esponja o el paño para evitar que agua penetre adentro del aparato.

NUNCA SUMERJA EL BLOQUE-MOTOR EN AGUA U OTRO LÍQUIDO

Permita que la base seque antes de usar el aparato.

Nunca utilice detergentes abrasivos en ninguna parte del aparato.

GARANTÍA LIMITADA

GARANTÍA LIMITADA DE CINCO AÑOS (MOTOR)

GARANTÍA LIMITADA DE DOS AÑOS (MATERIAL Y FABRICACIÓN)

Waring Commercial garantiza el motor de este aparato contra todo defecto de materiales o fabricación durante cinco años a partir de la fecha de compra, siempre en cuando el aparato haya sido usado con alimentos, líquidos no abrasivos (a excepción de detergentes) y semi-líquidos no abrasivos, y que no haya sido sujeta a cargas que excedan su máxima capacidad. Todas las otras piezas del aparato están garantizadas durante un periodo de dos años a partir de la fecha de compra.

Bajo esta garantía, Waring Commercial reparará o reemplazará toda pieza que, tras estar inspeccionada por nuestro servicio posventa, demuestre defectos de materiales o fabricación, siempre que el producto se regrese a un centro de servicio autorizado o se entregue con franqueo pagado a: 314 Ella T. Grasso Ave., Torrington, CT 06790.

Esta garantía: a) no se aplica a ningún producto desgastado, defectuoso, dañado o roto debido a uso, reparaciones/servicio realizados por personas no autorizadas, o abuso, mal uso, sobrecarga o daños intencionales; b) no cubre daños incidentales o consecuentes de ningún tipo.

Esta garantía es válida solamente para los aparatos comprados en los Estados Unidos y el Canadá y reemplaza todas las demás declaraciones expresas de garantía. La garantía de los productos Waring adquiridos fuera de los Estados Unidos y del Canadá es la responsabilidad del importador o distribuidor local. Los derechos de garantía pueden variar según las regulaciones locales.

El utilizar este aparato con corriente directa (C.D.) invalidará la garantía.

IMPORTANTES CONSIGNES DE SÉCURITÉ

L'utilisation d'appareils électriques requiert la prise de précautions élémentaires, parmi lesquelles les suivantes :

1. Lire toutes les instructions.
2. Les lames sont très coupantes. Manipuler avec précaution.
3. Comme c'est le cas avec tout appareil ménager, il vous faudra être prudent lorsque vous utilisez le robot de cuisine Waring®. Bien que simple d'utilisation, ce robot ne devrait être utilisé que par des personnes vigilantes. Il ne devrait pas être utilisé par ou près d'enfants ou de personnes souffrant d'un certain handicap.
4. Afin de prévenir tout risque de blessure, ne jamais installer le couteau ou les disques avant de vous être assuré que le bol est bien installé.
5. Tout contact avec le couteau ou le disque alors que l'appareil est en marche pourrait provoquer des blessures graves ou bien endommager l'appareil. Maintenir les mains et les ustensiles loin des éléments en mouvement. Vous pouvez utiliser une spatule en plastique une fois que l'appareil est arrêté.
6. Afin de prévenir tout risque de choc électrique, ne jamais placer le socle dans l'eau ou tout autre liquide.
7. Débrancher l'appareil après usage et avant toute manipulation (y compris vider le bol) ou entretien. Saisir le cordon d'alimentation par la fiche. Ne jamais tirer sur le cordon.
8. Éviter tout contact avec les éléments en mouvement. Ne jamais introduire la main ou les doigts dans l'entonnoir alors que l'appareil est en marche. Utiliser le poussoir.
9. Attendre que le moteur soit à l'arrêt avant de retirer le couvercle.
10. Ne pas utiliser l'appareil si le cordon d'alimentation ou la fiche sont endommagés, s'il ne fonctionne pas correctement, s'il est tombé ou s'il est abîmé. Envoyer l'appareil à un service après-vente autorisé afin qu'il soit inspecté, réparé ou réglé au besoin.
11. L'utilisation d'accessoires non recommandés ou vendus par le fabricant peut présenter un risque d'incendie, d'électrocution ou de blessure.
12. Ne pas l'utiliser à l'air libre.

13. Ne pas laisser le cordon pendre au bord d'une table ou d'un plan de travail, ni entrer en contact avec des surfaces chaudes.
14. Cet appareil, agréé UL, est à usage commercial. Ne l'utiliser que pour la préparation des aliments, tel que décrit dans ce manuel.
15. Ne pas essayer de forcer le mécanisme de sécurité de l'appareil.
16. Vérifier que le couvercle est bien fermé avant de mettre l'appareil en marche.
17. En cas de mauvais fonctionnement de l'appareil pendant l'utilisation, jeter le contenu du bol.
18. Cet appareil ne devrait pas être utilisé par des enfants ou des personnes souffrant d'un handicap physique, mental ou sensoriel, ou qui ne disposent pas des connaissances ou de l'expérience nécessaires, à moins qu'une personne responsable de leur sécurité leur en ait expliqué le fonctionnement ou les encadre.
19. Il convient de surveiller les enfants afin de s'assurer qu'ils ne jouent pas avec l'appareil.

GARDER CES INSTRUCTIONS USAGE COMMERCIAL AUTORISÉ

INSTRUCTIONS DE MISE À LA TERRE

Pour votre protection, votre appareil est doté d'un cordon avec mise à la terre.

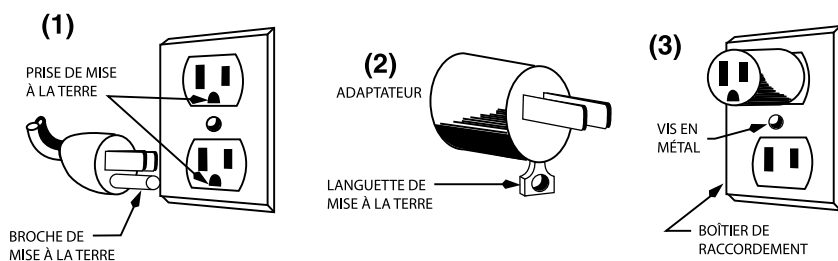
Les appareils de 120V sont équipés d'une fiche à trois broches de type NEMA5-15P. Cette fiche doit être branchée dans une prise de terre correctement configurée (Fig. 1).

Vous pouvez utiliser un adaptateur temporaire (Fig. 2) pour brancher l'appareil dans une prise polarisée jusqu'à ce que vous fassiez installer une prise de terre par un électricien.

Afin d'assurer la mise à la terre, la languette de l'adaptateur doit être fixée au boîtier par une vis en métal (Fig. 3).

ATTENTION : Vérifier que le boîtier est mis à la terre avant d'utiliser l'adaptateur. En cas de doute, demander conseil à un électricien. Ne jamais utiliser un adaptateur, à moins qu'il ne soit correctement mis à la terre.

REMARQUE : L'utilisation d'un adaptateur comme celui mentionné ci-dessus est interdite au Canada. Les appareils de 220–240V, homologués GS, sont équipés d'une prise européenne CEE 7/7.



INTRODUCTION

Les robots de cuisine commerciaux [WFP11S](#) et [WFP14S](#) de Waring Commercial® sont les plus polyvalents de leur catégorie. Ce sont les seuls robots de cuisine dotés d'un système d'étanchéité permettant de préparer de grands volumes de liquide et de vider le bol sans avoir à retirer la lame. Résultat de 40 ans d'expérience dans la restauration et 30 ans d'expérience dans la préparation culinaire, ces appareils professionnels sont le fruit du travail des mêmes chercheurs, ingénieurs, techniciens et ouvriers chevronnés ayant fait de Waring Commercial le grand nom des robots de cuisine.

Ces appareils sont homologués «ETL Sanitation» et «Commercial UL».

Deux modèles sont présentés dans ce manuel d'utilisation : le [WFP11S](#) et le [WFP14S](#). Tous deux sont équipés d'un bol et d'un couteau étanches. Le couteau permet de HACHER, MOUDRE, RÉDUIRE EN PURÉE ET MÉLANGER. Ce qui rend ces appareils uniques c'est leur HAUTE CAPACITÉ LIQUIDE, qui fait que vous pouvez RÂPER, COUPER EN RONDELLES, RÉDUIRE EN PURÉE, MIXER ET PLUS ENCORE, directement dans le bol ! Les accessoires standards accompagnant le [WFP11S](#) et le [WFP14S](#) incluent un disque à émincer de 4 mm, un disque à trancher de 4 mm et un disque à râper de 2 mm.

De nombreux autres accessoires sont également disponibles.

Haute capacité, puissance et commodité

Les nouveaux robots de cuisine Waring Commercial sont équipés d'un entonnoir large, pour réduire le temps de préparation, d'un arbre moteur solide et durable, et d'un socle-moteur, d'un bol, d'un couvercle et de poussoirs en polycarbonate, résistants et faciles à nettoyer. Le bol et le couvercles transparents sont pratiques et conçus pour résister à l'usage intensif qu'en font les professionnels, jours après jour.

PIÈCES

Les robots de cuisine [WFP11S](#) et [WFP14S](#) incluent les pièces et accessoires suivants : (voir la page suivante)

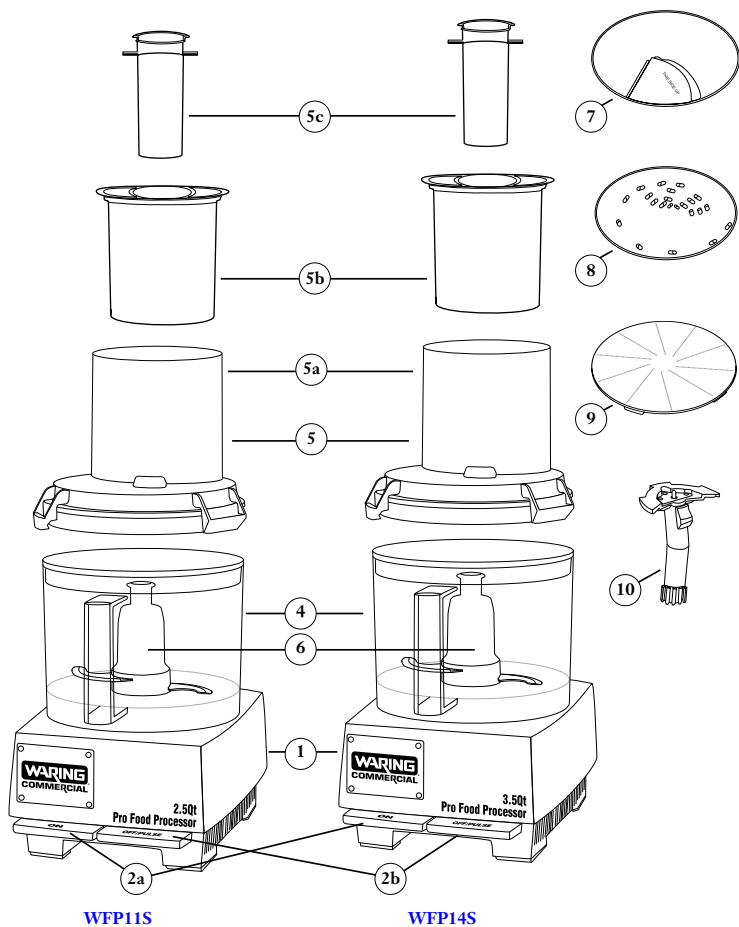
1. Socle-moteur résistant en polycarbonate avec arbre moteur à usage intensif
2. Deux boutons de commande
 - a. ON (marche continue)
 - b. PULSE/OFF (pulse/arrêt)
3. Mécanisme de verrouillage (non montré)
Empêche l'appareil de se mettre en marche si le couvercle n'est pas bien fermé
4. Bol transparent étanche
Capacité de 2,5 L ([WFP11S](#))
Capacité de 3,5 L ([WFP14S](#))
5. Couvercle transparent étanche
 - a. Large entonnoir ovale, pour réduire le temps de préparation
 - b. Gros poussoir, idéal pour les gros aliments
 - c. Petit poussoir, idéal pour les aliments fins (carottes, céleri, saucisse, etc.)

Remarque : Le petit poussoir s'emboîte dans le gros poussoir. Ce système de poussoir 2-en-1 permet d'utiliser l'appareil pour préparer une grande variété d'aliments.

6. Couteau étanche qui évite les fuites et reste en place lorsqu'on vide le bol. Idéal pour hacher, mouliner, réduire en purée et mélanger.
7. Disque à trancher de 4 mm

8. Disque à émincer de 4 mm
9. Disque à râper de 2 mm
10. Adaptateur amovible

Remarque : les disques fournis avec les modèles WFP11S et WFP14S doivent être utilisés avec l'adaptateur amovible. Celui-ci a été spécialement conçu pour améliorer leur efficacité.



ASSEMBLAGE DU BOL

WFP11S & WFP14S

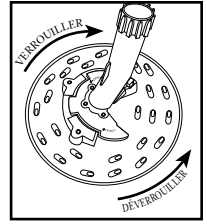
- Nettoyer et désinfecter le socle. Laver, rincer et désinfecter le bol, le couvercle, l'entonnoir, les poussoirs et les accessoires avant d'utiliser l'appareil pour la première fois.
- Placer l'appareil sur un plan de travail ou une table, à proximité d'une prise de courant, et de façon à faire face aux boutons de commande. Vérifier que l'appareil est débranché et que le bouton de commande OFF est enclenché. Ne pas brancher l'appareil avant d'avoir terminé l'assemblage.
- Tenir le bol entre les deux mains, la poignée face à vous.
- Aligner l'arbre moteur avec le cylindre qui se trouve au centre du bol. La poignée devrait se trouver légèrement du côté gauche.
- Enfoncer le bol sur le socle, et le tourner dans le sens inverse des aiguilles d'une montre jusqu'à ce qu'il se bloque.

Installation du couteau

- Tenir le couteau par la partie en plastique. Notez son axe, conçu pour s'emboîter sur l'arbre moteur.
- Aligner l'axe du couteau avec celui du moteur. Enfoncer, en tournant légèrement jusqu'à ce que le couteau s'emboîte. Vous ne devriez pas rencontrer de résistance. Pousser fermement pour bloquer le couteau et créer un seau hermétique. Vérifier qu'il est bien enfoncé. S'il ne l'était pas, il pourrait être endommagé et il pourrait y avoir des fuites. Ne jamais toucher le couteau, celui-ci étant très aiguisé. Toujours le tenir par la partie plastique.
- Vérifier que le couteau est bien engagé, en le faisant pivoter d'avant en arrière. La lame inférieure du couteau devrait pratiquement toucher le fond du bol.
- Si vous souhaitez utiliser l'appareil avec le couteau, vous pouvez maintenant mettre les ingrédients dans le bol.
- Commencer par les ingrédients secs, puis les liquides.
- Ne pas dépasser la ligne de remplissage maximum. Les ingrédients liquides pourraient déborder. Si cela se produisait, arrêter l'appareil, puis vider partiellement le bol avant de continuer.

Installation des disques

- Installer le disque avant de remplir l'entonnoir.
- Choisir le disque voulu.
- Tenir le disque de façon à ce que le côté coupant se trouve du côté de votre paume, en prenant garde de ne pas toucher les lames ou les râpes. Connecter le disque à l'adaptateur. Appuyer sur le bouton de déverrouillage de l'adaptateur, l'enfoncer au centre du disque et tourner dans le sens des aiguilles d'une montre (voir le diagramme).
- Une fois que l'adaptateur est en place, l'aligner avec l'arbre du moteur et l'enfoncer sur ce-dernier (les deux rivets dans l'arbre du moteur s'emboîtent dans les fentes sur le moyeu de l'adaptateur pour maintenir ce-dernier en place). Placer le disque sur l'arbre et le faire tourner jusqu'à ce qu'il s'emboîte. Vérifier qu'il est bien enfoncé. Pousser sur les bords du disque uniquement. Ne jamais toucher les lames ou les râpes. Vous ne devriez pas rencontrer de résistance. En cas de difficulté, tourner le disque légèrement jusqu'à ce qu'il s'emboîte sur l'arbre.



Remarque : Ne pas remplir le bol.

- Placer le couvercle sur le bol, l'entonnoir du côté droit. Les pattes de verrouillage du couvercle devraient se trouver à gauche des pattes situées sur le devant du bol.
- Tourner le couvercle dans le sens inverse des aiguilles d'une montre pour le fermer. Une fois en place, les pattes situées à l'arrière du bol engageront le mécanisme de sécurité et vous pourrez mettre l'appareil en marche.

REMARQUE : L'appareil ne fonctionnera pas si le couvercle n'est pas correctement fermé. Ce mécanisme de sécurité est très important et ne devrait pas être contré.

NE JAMAIS ESSAYER DE METTRE L'APPAREIL EN MARCHÉ ALORS QUE LE COUVERCLE N'EST PAS BIEN FERMÉ.

Poussoir 2-en-1

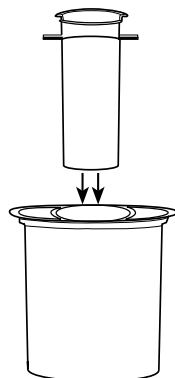
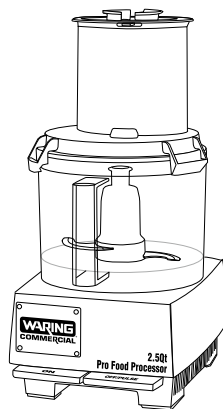
Cet appareil est doté de deux poussoirs : un gros poussoir s'emboîtant dans l'entonnoir, et un petit poussoir s'emboîtant dans le gros poussoir. Choisir le poussoir désiré. Utiliser le gros poussoir pour les gros légumes. Utiliser le petit poussoir pour les aliments requérant une coupe plus précise, comme par exemple les petits légumes, les légumes fins ou les saucisses.

Gros poussoir

Introduire le petit poussoir dans le gros poussoir. Une fois en place, tourner le petit poussoir dans le sens des aiguilles d'une montre pour le bloquer. Introduire alors le gros poussoir dans l'entonnoir. Ne pas l'introduire avec force.

Petit poussoir

Tourner le petit poussoir dans le sens inverse des aiguilles d'une montre pour le débloquer. Le dégager du gros poussoir. Introduire les aliments dans la goulotte au centre du gros poussoir et utiliser le petit poussoir pour les pousser.



DÉSASSEMBLAGE DU BOL

WFP11S & WFP14S

TOUJOURS DÉBRANCHER L'APPAREIL AVANT DE LE DÉSASSEMBLER.

- Tourner le couvercle dans le sens des aiguilles d'une montre pour débloquer les pattes. La poignée du bol devrait se trouver à gauche du centre. Retirer le couvercle.
- Retirer le gros poussoir de l'entonnoir. Ensuite, retirer le petit poussoir du gros poussoir.

Désassemblage du couteau

- Tourner le bol dans le sens des aiguilles d'une montre pour libérer les pattes de verrouillage. La poignée du bol devrait se trouver du côté gauche. Soulever alors le bol.

Il est conseillé de retirer le bol du socle-moteur avant d'enlever le couteau.

- Appuyer sur la partie plastique du couteau tout en soulevant le bol pour le maintenir en place. Cela évitera que les aliments dégoulinent sur le socle-moteur ou votre plan de travail.
IMPORTANT : VIDER LE BOL AVANT DE RETIRER LE COUTEAU.
Pour retirer le couteau du bol, le soulever. Manipuler le couteau avec précaution. Les lames sont très aiguisées.

Désassemblage des disques

- Retirer le disque avant de retirer le bol.
- Prendre le disque par les bords, entre deux doigts et le soulever. Il devrait se dégager sans problème. Pour retirer l'adaptateur, tenir le disque dans une main, en prenant garde de ne pas toucher les lames ou les râpes. Presser le bouton de déverrouillage et tourner dans le sens inverse des aiguilles d'une montre.
- Tourner le bol dans le sens des aiguilles d'une montre pour libérer les pattes de verrouillage. La poignée du bol devrait se trouver du côté gauche. Soulever alors le bol.

FONCTIONNEMENT DE L'APPAREIL

- Brancher l'appareil dans une prise électrique de 120V (60 Hz).
- Les boutons de commande se trouvent face à vous. Ils sont faciles à utiliser, et assez gros pour les trouver en cas d'urgence.

Les deux boutons de commande sont : ON (marche continue)
PULSE/OFF (pulse/arrêt)

Fonctionnement: ON : Appuyer sur ce bouton pour mettre l'appareil en marche continue.

PULSE/OFF : Appuyer sur ce bouton une fois pour éteindre l'appareil.

Appuyer, puis relâcher le bouton pour utiliser le mode «pulse». Le moteur continuera à tourner aussi longtemps que vous appuierez sur le bouton et s'arrêtera lorsque vous le relâcherez. Essayez-le plusieurs fois.

Instructions

Mode continu

Pour utiliser l'appareil en mode continu, appuyer sur le bouton ON.

Fonction «pulse»

Utilisez la fonction «pulse» avec le couteau uniquement.

- Pour utiliser la fonction «pulse», appuyer sur le bouton PULSE/OFF. Le moteur continuera à tourner aussi longtemps que vous appuierez sur le bouton et s'arrêtera lorsque vous le relâcherez.
- La fonction «pulse» vous offre d'avantage de contrôle, puisqu'elle permet de contrôler le nombre et la durée de chaque pulsation avec précision. Laisser le temps aux aliments de redescendre dans le fond du bol entre deux pulsations.
- La fonction «pulse» vous permet de contrôler la consistance exacte des aliments que vous hachez ou mixez. La texture, grosse ou fine, dépend du nombre et de la durée des pulsations.
- La fonction «pulse» est aussi pratique pour broyer les aliments durs. Utiliser la fonction «pulse» pour broyer les aliments. Terminer de hacher en mode continu.
- Toujours utiliser le bouton PULSE/OFF pour contrôler les pulsations. Ne jamais essayer de les contrôler en bougeant le bol ou le couvercle. Cela pourrait endommager l'appareil.

Arrêt de l'appareil :

Toujours éteindre l'appareil en appuyant sur le bouton PULSE/OFF et attendre que le couteau ou le disque soit complètement immobile avant de retirer le couvercle. Cela prendra seulement quelques secondes.

PRÉPARATION DES ALIMENTS

- Laver et peler les aliments si nécessaire. Enlever les queues, les pépins et les noyaux.
- Couper les fruits, les légumes, le fromage ou la viande de façon à ce que les morceaux entrent dans l'entonnoir, ou à la taille désirée.
- Aliments à couper en rondelles ou en tranches : Couper les deux bouts des aliments tels que les carottes, les concombres, le céleri, etc. Vous obtiendrez ainsi de plus belles rondelles.

CHOIX DU POUSSOIR

Remarque - Lorsque vous utilisez le couteau :

Il est possible d'introduire des aliments dans l'entonnoir alors que l'appareil est en marche. Toutefois, il est recommandé de laisser le gros poussoir en place pour éviter les éclaboussures.

Petit poussoir

Le petit poussoir sert généralement à pousser les aliments introduits à la verticale dans la goulotte au centre du gros poussoir. Il permet d'obtenir des morceaux plus petits. Il s'utilise typiquement pour couper les carottes, le céleri ou les saucisses en rondelles.

Il sert aussi à râper en petits morceaux et couper des petites rondelles.

Gros poussoir

Le gros poussoir sert à pousser les aliments introduits à l'horizontale dans l'entonnoir. Il permet d'obtenir des morceaux plus longs.

Il s'utilise typiquement pour râper en longs morceaux, couper des rondelles longues et pousser les gros aliments comme des pommes de terre ou des oignons entiers.

DISPOSITIF DE PROTECTION DU MOTEUR

Cet appareil est équipé d'un dispositif de protection thermique qui arrête le moteur automatiquement en cas de surchauffe.

Si cela se produisait, arrêter et débrancher l'appareil. Vider le bol et jeter le contenu. Laisser le moteur refroidir pendant 5 minutes.

Rebrancher l'appareil. Continuer.

Si l'appareil ne fonctionne pas comme il se doit, cesser l'utilisation et contactez un service après-vente autorisé.

UTILISATION DU COUTEAU

- Le couteau est conçu pour hacher, broyer, réduire en purée, mixer ou pétrir tout type d'ingrédients.
- Installer le couteau, comme indiqué dans la section «Assemblage du bol», avant de mettre les ingrédients dans le bol.

Hacher ou émincer

- Placer les ingrédients dans le bol. Ne pas dépasser pas le haut du cylindre en plastique ou les $\frac{3}{4}$ de la hauteur du bol.
- Pour obtenir de meilleurs résultats, utiliser la fonction «pulse». Pour ce faire, presser puis relâcher le bouton PULSE/OFF. Continuer jusqu'à obtention de la consistance désirée.

- L'utilisation du mode continu pour broyer ou hacher produira des résultats irréguliers (les ingrédients au fond du bol seront broyés plus finement).

Hacher de la viande

Pour obtenir des résultats homogènes, couper la viande en morceaux de 2,5 cm. Ne pas hacher plus de 450 g de viande avec le modèle **WFP11S** ou 680 g avec le modèle **WFP14S**. Presser le bouton PULSE/OFF 3 ou 4 fois de suite, à un rythme d'une seconde entre chaque pulsation. Pour obtenir une texture plus fine, utiliser le mode continu (ON) pendant quelques secondes. Si l'appareil a du mal à hacher, retirer un peu de viande et continuer.

Réduire du fromage dur en poudre

Couper le fromage (bien réfrigéré) en cubes de 2,5 cm et placer les morceaux dans le bol, en respectant les capacités maximales de 225 g (modèle **WFP11S**) ou 350 g (modèle **WFP14S**). Appuyer sur le bouton PULSE/OFF jusqu'à obtention de la texture désirée. Utiliser la fonction «pulse» pour broyer le fromage et terminer avec le mode continu pour le réduire en poudre. Vous obtiendrez de meilleurs résultats avec des fromages secs. Les fromages plus gras ont tendance s'empâter.

Hacher des oignons, du céleri, du chou etc.

Couper les oignons en quartiers et les autres légumes en morceaux de 2,5 cm. Placer les morceaux dans le bol, sans dépasser le haut du cylindre en plastique. Utiliser la fonction «pulse» jusqu'à obtention de la consistance désirée.

Remarque : Ne pas trop hacher. Cela peut produire des résultats irréguliers ou réduire les ingrédients qui se trouvent au fond du bol en purée.

Réduire en purée ou mixer

Pour réduire fruits et légumes en purée, émulsionner une sauce ou mixer, mettre les ingrédients dans le bol et utiliser le mode continu jusqu'à obtention de la consistance désirée. Ne pas laisser l'appareil sans surveillance pendant ce temps. La capacité du bol est de 2,5 litres. Mixer en plusieurs fois si nécessaire.

Ne pas dépasser la ligne de remplissage maximum.

Arrêt de l'appareil

- Toujours utiliser le bouton PULSE/OFF pour éteindre l'appareil. Cela arrêtera le moteur.

- Éteindre l'appareil et attendre que le couteau soit complètement immobile avant d'ouvrir le couvercle.
- Le mécanisme de sécurité arrêtera l'appareil si vous tournez ou enlevez le couvercle. Toutefois, ne vous servez pas de cette méthode pour arrêter l'appareil.
- Par précaution, toujours appuyer sur le bouton PULSE/OFF avant d'ouvrir le couvercle.

CHOIX DU DISQUE

Les disques inclus avec les modèles [WFP11S](#) et [WFP14S](#) sont capables de réaliser un grand nombre de tâches de préparation. Les modèles [WFP11S](#) et [WFP14S](#) incluent trois disques. Au moment de l'impression, il s'agit des accessoires suivants :

Pour utilisation avec le modèle [WFP11S](#) :

Disque à trancher de 4 mm (WFP118)

Disque à émincer de 4 mm (WFP115)

Disque à râper de 2 mm (WFP113)

Pour utilisation avec le modèle [WFP14S](#) :

Disque à trancher de 4 mm (WFP146)

Disque à émincer de 4 mm (WFP144)

Disque à râper de 2 mm (WFP143)

UTILISATION DU DISQUE À TRANCHER

- Laver et peler les aliments si nécessaire. Enlever les queues, les pépins et les noyaux. Couper les aliments en morceaux si nécessaire. Couper les deux bouts des aliments tels que les carottes, les concombres, le céleri, etc. Vous obtiendrez ainsi de plus belles rondelles.
- Retirer le cœur des légumes tels que le chou et la laitue. Les choux/laitues de taille moyenne devront être coupés en trois pour rentrer dans l'entonnoir. Les choux/laitues plus gros devront être coupés en quatre.
- Après avoir préparé les aliments, les introduire dans l'entonnoir voulu, introduire le poussoir dans l'entonnoir et allumer l'appareil.
- Ne pas essayer de couper en tranches du fromage mou. Utiliser du fromage dur uniquement. Congeler la Mozzarella avant de la couper en tranches. Ne pas utiliser de morceaux de plus de 2 x 9 x 10 cm avec le modèle [WFP11S](#) ou 2,5 x 9 x 10 cm avec le

modèle [WFP14S](#). Congeler la Mozzarella pendant 1 heure avant de la couper en tranches. Toujours utiliser la fonction «pulse» pour couper le fromage en tranches.

- Vider le bol une fois que la capacité maximale est atteinte.

UTILISATION DU DISQUE À RÂPER

- Laver et peler les aliments si nécessaire. Enlever les queues, les pépins et les noyaux. Couper les aliments en morceaux si nécessaire.
- Placer les aliments dans l'entonnoir désiré, horizontalement pour obtenir des longs bouts ou verticalement pour obtenir des petits bouts.

Ne pas essayer de râper du fromage mou. Utiliser du fromage dur uniquement. Congeler la Mozzarella avant de la râper. Ne pas utiliser de morceaux de plus de 2 x 9 x 10 cm avec le modèle [WFP11S](#) ou 2,5 x 9 x 10 cm avec le modèle [WFP14S](#). Congeler la Mozzarella pendant 1 heure avant de la râper. Toujours utiliser la fonction «pulse».

Pour éviter que le moteur ne surchauffe, il est conseillé d'appuyer puis de relâcher le poussoir tour à tour jusqu'à ce que le fromage soit complètement râpé. Éviter de faire pression continuellement sur le fromage. Cela pourrait faire surchauffer le moteur.

Le robot de cuisine est capable de râper jusqu'à 4,5 kg de fromage en approximativement 5 minutes. Il est conseillé de laisser reposer l'appareil pendant 5 minutes après 5 minutes d'opération continue. Après 15 minutes, laisser l'appareil refroidir.

- Vider le bol une fois que la capacité maximale est atteinte.

UTILISATION DU DISQUE À ÉMINCER

- Laver et peler les aliments si nécessaire. Enlever les queues, les pépins et les noyaux. Couper les aliments en morceaux si nécessaire.
- Placer les aliments dans l'entonnoir désiré, horizontalement pour obtenir des longs bouts ou verticalement pour obtenir des petits bouts.
- Ne pas essayer d'émincer du fromage mou. Utiliser du fromage dur uniquement. Congeler la Mozzarella avant de l'émincer. Ne pas utiliser de morceaux de plus de 2 x 9 x 10 cm avec le modèle [WFP11S](#) ou 2,5 x 9 x 10 cm avec le modèle [WFP14S](#). Congeler la

Mozzarella pendant 1 heure avant de l'émincer. Toujours utiliser la fonction «pulse».

- Vider le bol ne fois que la capacité maximale est atteinte.

Retirer les aliments du bol

1. Éteindre l'appareil et attendre que la lame soit complètement immobile avant d'ouvrir le couvercle.
2. Retirer le bol du socle-moteur. S'il est bloqué, le tenir par la poignée et le bouger rapidement de droite à gauche.
3. Si vous utilisez un disque, le retirer avant de vider le bol. Si vous utilisez le couteau, il restera en place lorsque vous viderez le bol. Vider le bol à l'aide d'une spatule. **NE PAS INTRODUIRE LES DOIGTS DANS LE BOL SI LE COUTEAU Y EST.**

RÉSOLUTION DE PROBLÈMES

Vous trouverez dans cette section la solution aux problèmes les plus courants. Si cette liste ne solutionne pas votre problème, veuillez contacter un service après-vente autorisé. Consulter la liste des service après-vente autorisés, fournie avec votre appareil.

L'appareil ne se met pas en marche

- Débrancher l'appareil et le brancher dans une autre prise de courant.
- Appuyer sur le bouton ON .
- Vérifier que le bol est bien en place, que le couvercle est bien fermé et que les pattes de verrouillage du couvercle sont bien engagées.

L'appareil s'arrête pendant l'utilisation

- Il se peut que le moteur ait surchauffé. Voir la section «Dispositif de protection du moteur».
- Éteindre et débrancher l'appareil.
- Retirer le bol du socle.
- Vider le bol.
- Laisser l'appareil refroidir pendant 5 minutes.
- Remettre le bol sur le socle-moteur, refermer le couvercle et faire fonctionner l'appareil à vide avant de le remplir à nouveau.

L'appareil n'atteint pas la vitesse maximale

- Le bol est trop chargé. Le vider et recommencer avec un moindre contenu.

Si l'appareil ne fonctionne toujours pas correctement :

- Vérifier que la prise de courant est sous tension.
- Vérifier que le disjoncteur est enclenché.
- Vérifier que le fusible n'est pas grillé.
- Appeler le service après-vente de Waring.

L'appareil fume ou fait des étincelles

- Éteindre l'appareil, le débrancher, puis contacter votre revendeur local.

L'appareil grince

- Éteindre l'appareil, le débrancher, puis vérifier si le couteau touche le bol.
- Si le couteau touche le bol, contacter un service après-vente autorisé.

NETTOYAGE

Nettoyer l'appareil et ses accessoires avant de l'utiliser pour la première fois et après chaque utilisation. Ne pas utiliser de nettoyeurs abrasifs. Le nettoyage doit respecter les directives de NSF International.

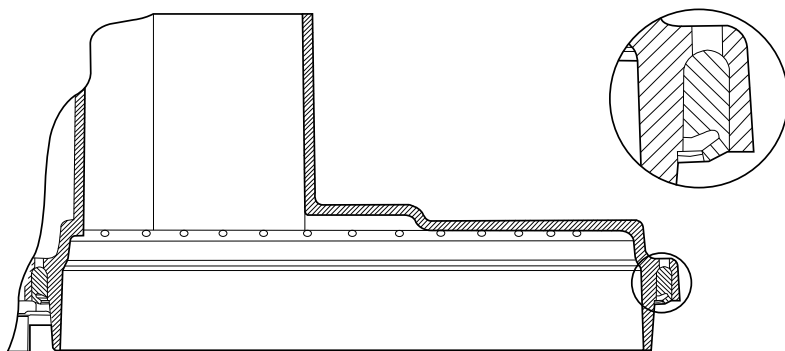
Nettoyer l'arbre du moteur avec une petite brosse.

Laver, rincer, désinfecter et sécher le bol, le couvercle, l'entonnoir, les poussoirs, le couteau et les disques avant d'utiliser l'appareil pour la première fois et après chaque utilisation, à moins que vous ne réutilisiez l'appareil immédiatement. Tous les éléments sont lavables au lave-vaisselle.

Bien laver et rincer tous les éléments après chaque utilisation.

Le joint d'étanchéité du couvercle est amovible et devrait être nettoyé régulièrement. Il y a trois petits trous sur le rebord du couvercle. Pour retirer le joint, il suffit d'y introduire un objet fin comme un cure-dents ou un trombone et de pousser le joint hors de la rainure. **NE PAS UTILISER D'OBJET COUPANT. CELA POURRAIT ENDOMMAGER LE JOINT.** Laver le joint avec de l'eau tiède et du détergent, le rincer et le sécher. Une fois sec, insérer le côté arrondi du joint dans la rainure, en poussant tout autour du bout des doigts. Vérifier que le joint est correctement inséré. Voir le dessin ci-dessous.

Remarque : Le rabat du joint doit pointer vers le bas et l'intérieur.



Nettoyer le couteau et les disques à l'aide d'une brosse dure avant de les laver. Le couteau et les disques sont très aiguisés. Les manipuler avec précaution.

Pour le lavage à la main, nous recommandons l'utilisation d'une solution de nettoyage à base de détergents non moussants et d'une solution désinfectante à base de chlore, avec une concentration minimum de 100 ppm. Vous pouvez utiliser les solutions suivantes ou leur équivalent :

SOLUTION	PRODUIT	PROPORTION DE DILUTION	TEMPÉRATURE
Nettoyage	*Ajax® en	2 c. à soupe pour 9,5 litres d'eau	Chaude 46°C (115°F)
Rinçage	Eau claire		Tiède 35°C (95°F)
Désinfection	**Eau de javel ou Clorox®	1 c. à soupe pour 4 litres d'eau	Froide 10°C (50°F)

Nettoyage du socle-moteur

Nettoyer et désinfecter le socle-moteur avant d'utiliser l'appareil pour la première fois et après chaque utilisation. Débrancher l'appareil et essuyer le socle avec une éponge imbibée de détergent liquide. Essuyer ensuite le socle avec une éponge imbibée d'eau claire. Bien essorer l'éponge afin que le liquide ne pénètre pas dans le boîtier.

NE JAMAIS SUBMERGER LE SOCLE-MOTEUR DANS L'EAU OU TOUT AUTRE LIQUIDE.

Laisser sécher l'appareil à l'air libre avant de l'utiliser à nouveau.

Ne jamais utiliser de détergents abrasifs pour nettoyer cet appareil ou ses éléments.

GARANTIE LIMITÉE

GARANTIE LIMITÉE DE CINQ ANS (MOTEUR)

GARANTIE LIMITÉE DE DEUX ANS (PIÈCES ET MAIN D'OEUVRE)

Waring Commercial garantit le moteur de cet appareil contre tout vice de matière ou de fabrication pendant une période de cinq ans suivant sa date d'achat, à condition que l'appareil ait été utilisé uniquement avec des produits alimentaires, des liquides non-abrasifs (autres que des détergents) et des semi-liquides non-abrasifs, à condition que l'appareil n'ait pas été soumis à des charges excédant sa capacité maximale. Les autres pièces sont garanties pendant une période de deux ans suivant la date d'achat.

Au titre de cette garantie, la division Waring Commercial réparera ou remplacera toute pièce nous paraissant afficher un vice de matière ou de fabrication. Pour un service au titre de cette garantie, envoyez l'appareil, port payé, à l'adresse suivante ou amenez-le à un centre de réparation agréé : Waring Service Center, 314 Ella T. Grasso Ave., Torrington, CT 06790.

Cette garantie a) n'est pas valable si l'appareil est endommagé, cassé, détérioré ou s'il affiche un vice ou défaut résultant de l'utilisation, de l'entretien ou de la réparation par des personnes non autorisées, ou consécutif à l'usage abusif ou inapproprié, à la surcharge ou à la modification de l'appareil. b) ne couvre aucun dommage accessoire ou indirect.

Cette garantie n'est valable que sur les appareils utilisés aux États-Unis et au Canada et abroge toute autre garantie formelle ou tout autre accord de garantie. La garantie des produits Waring vendus en dehors des États-Unis et du Canada est à la charge de l'importateur ou du distributeur local. Les droits de garantie peuvent varier d'un pays ou d'une région à l'autre.

Brancher cet appareil sur Courant Continu (C.C.) annulera la garantie.

Trademarks or service marks of third parties used herein are the trademarks or service marks of their respective owners.

Todas marcas registradas o marcas de comercio mencionadas en ésta pertenecen a sus titulares respectivos.

Toutes marques déposées ou marques de commerce ci-incluses appartiennent à leurs propriétaires respectifs.

©2015 Waring Commercial
314 Ella T. Grasso Ave.
Torrington, CT 06790

www.waringcommercialproducts.com



Printed in China
WFP11S & WFP14S
15WC013150

IB-10282