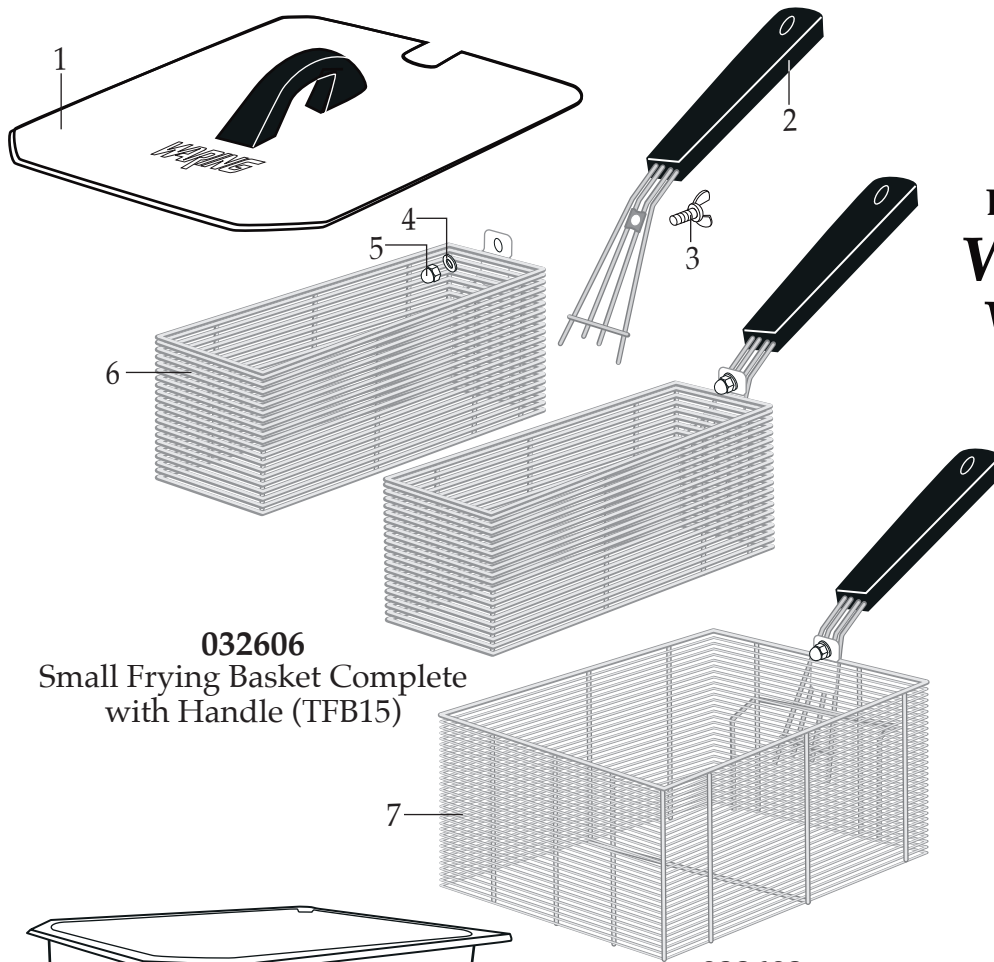


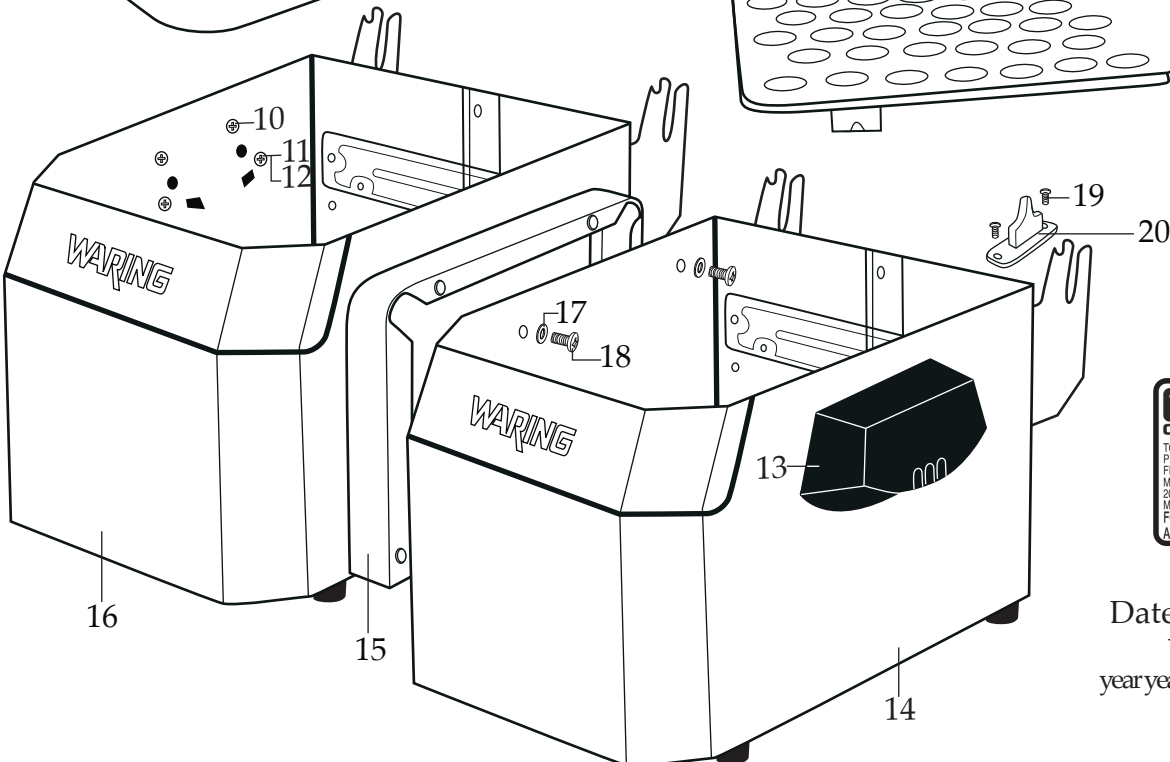
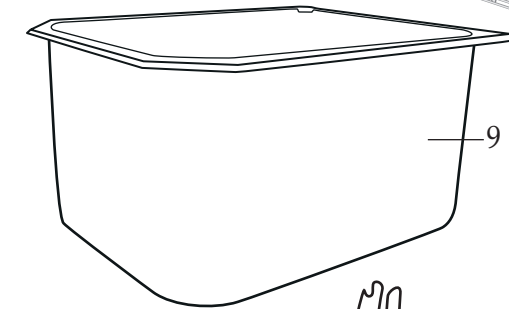
WARING COMMERCIAL

Double 15 lb. Deep Fryers
WDF1500BD /208 volt
WDF1550D /240 volt



032606
 Small Frying Basket Complete
 with Handle (TFB15)

032602
 Large Frying Basket Complete
 with Handle (LFB15)



Unit Information

- 3300 watts - WDF1500B
- 3840 watts - WDF1550
- Temperature Control up to 390° F
- 30 Minute Timer
- Keep appliance at least 4 inches away from walls or other objects during operation.



YYMMDD
 ↑
 Date Code Location
 YY|MM|DD
 year|year|month|month|day|day

Catalog/Model

WDF1500BD
WDF1550D

WARING
COMMERCIAL
314 Ella T. Grasso Ave.
Torrington, CT 06790
Tele. 1-800-269-6640
Fax 860-496-9017
www.waringcommercialproducts.com

Illustration#	Part#	Description
1	032604	Night Cover (2 required)
2	030302	Basket Handle /1 per basket
3	030305	Wing Nut Screw /1 per handle
4	030303	Washer /1 per handle
5	030304	Cap Nut /1 per handle
6	030420	Basket - ONLY /small (4 required)
7	030421	Basket - ONLY /large (2 required)
8	030424 030425	Heating Element-WDF1500BD /with heat diffuser and heater stand Heating Element-WDF1550D /with heat diffuser and heater stand
9	030422	Oil Container
10	030312	Screw /per body handle (2 required)
11	030314	Washer /per body handle (2 required)
12	030313	Screw /per body handle (2 required)
13	030311	Body Handle (2 required)
14	032276	Body Assembly /with handle and feet - right unit- holes for bracket on left
15	030433	Bracket
16	032275	Body Assembly /with handle and feet - left unit- holes for bracket on right
17	030434	Washer /4 for each side (8 required)
18	030435	Screw /4 for each side (8 required)
19	030439	Screw (2 required)
20	030438	Safety Switch Actuator /one on each body assembly