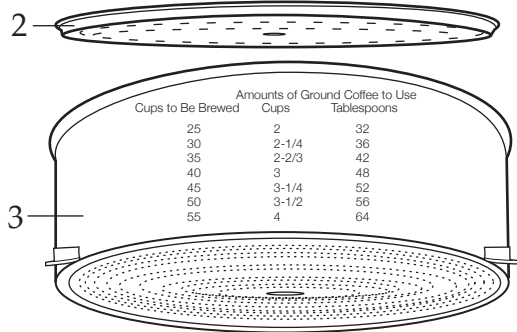
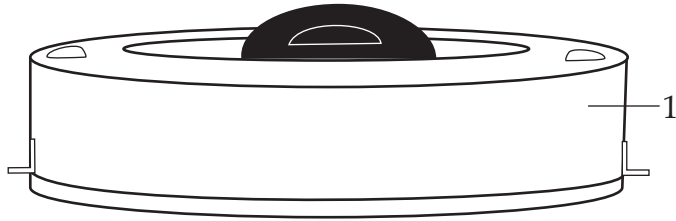


Unit Information

1610 Watts – 13.2 Amps. - 60 Hz
 55 - 5 Ounce Cup Capacity
 Minimum Brew Volume is 25 Cups
 2 Heater System: One to Brew
 One to Keep Warm
 One Year Limited Warranty

WARING COMMERCIAL®

WCU550 / Coffee Urn



503094
 Base Unit Assembly

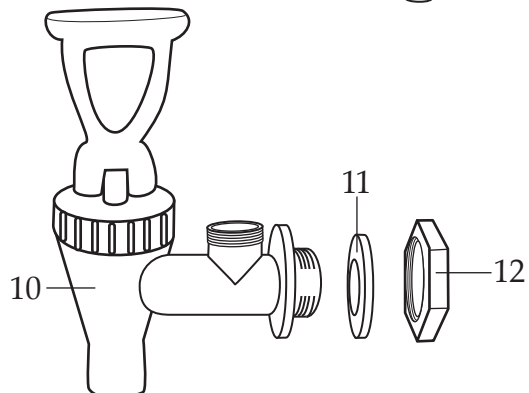
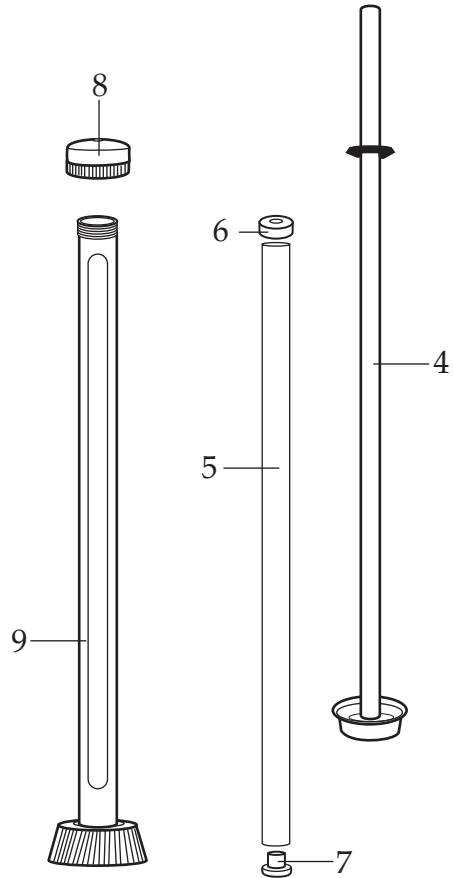


Illustration #	Part #	Description
1	028492	Lid
2	034417	Basket Cover
3	034419	Percolator Basket
4	034420	Percolator Tube
5	034421	Glass Tube
6	028261	Upper Silicone Ring
7	028262	Lower Silicone Ring
8	028263	Water Gauge Cover
9	028264	Water Gauge Tube
10	028493	Tap (Spigot)
11	028266	Silicone Tap Ring
12	028267	Tap Nut