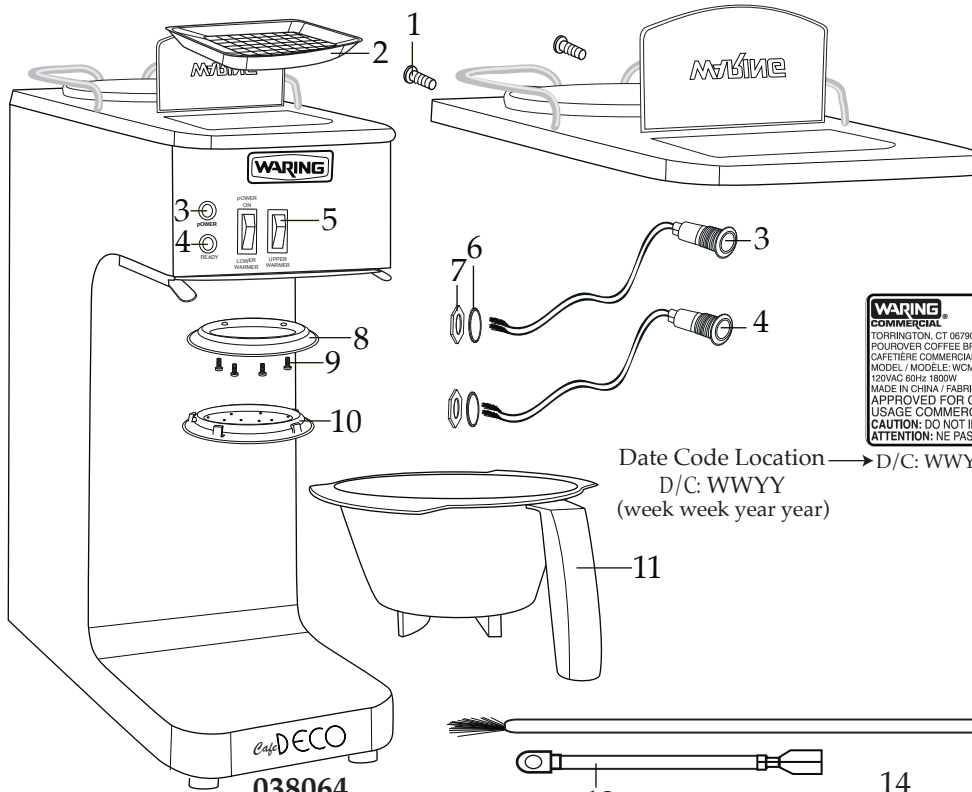


WARING COMMERCIAL

Pour-over Coffee Brewer WCM50

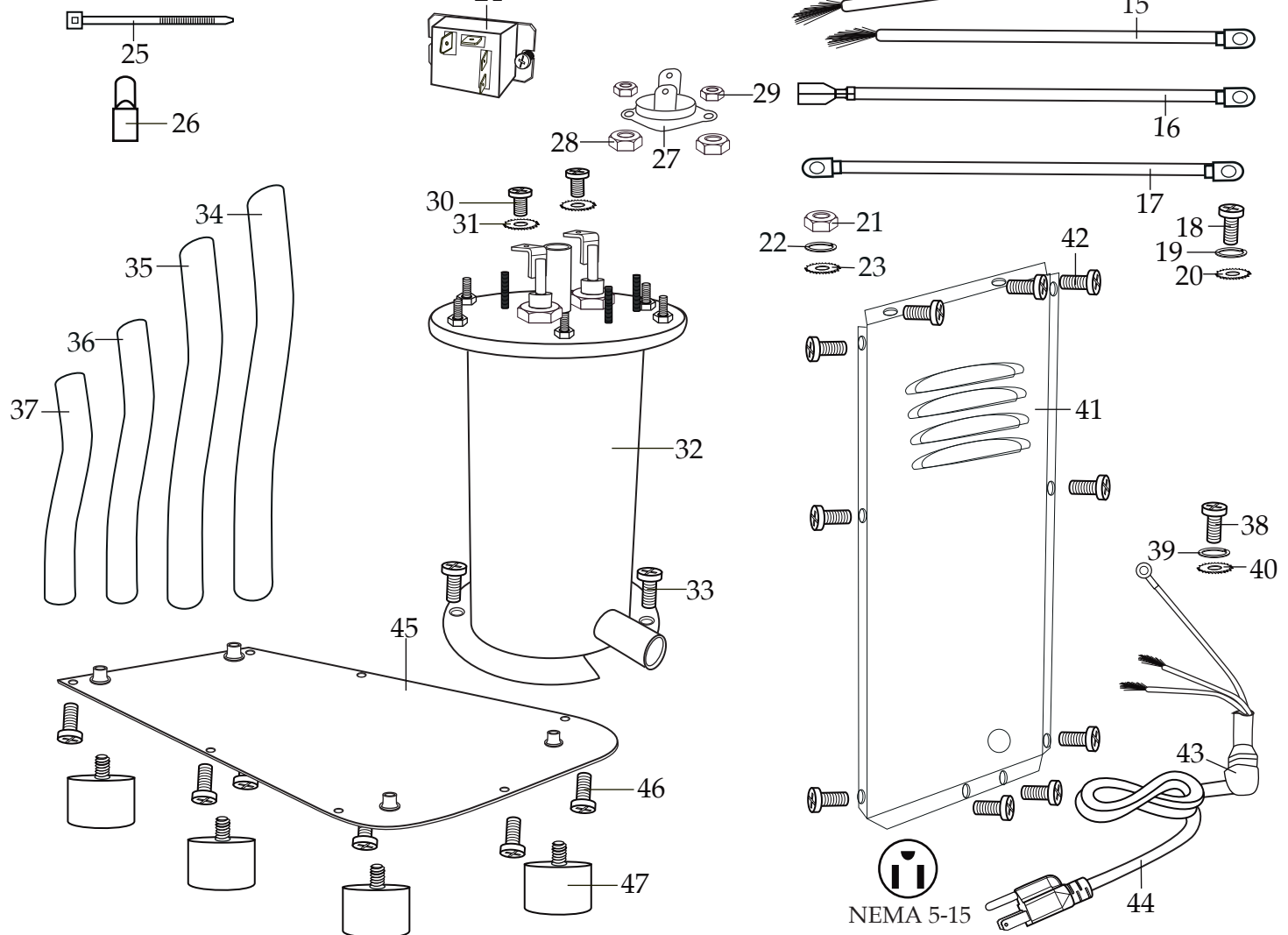


WARING COMMERCIAL
 TORRINGTON, CT 06790
 POUR-OVER COFFEE BREWER/
 CAFETIERE COMMERCIALE A REMPLISSAGE MANUEL
 MODEL / MODELE: WCM50
 120VAC 60Hz 1800W
 MADE IN CHINA / FABRIQUE EN CHINE
 APPROVED FOR COMMERCIAL USE /
 USAGE COMMERCIAL AUTORISE
CAUTION: DO NOT IMMERSE IN LIQUID /
ATTENTION: NE PAS PLONGER DANS L'EAU

Date Code Location → D/C: WWYY
 D/C: WWYY
 (week week year year)

Unit Information
 Warranty 2 Yr. Parts & 1 Yr. Labor
 60Hz - 1800 Watts - 120 Volts
 Brews over 3 gallons per hour
 Fits large 64oz. glass decanters

038064
 WCM50 Unit
 (no basket)




 NEMA 5-15

Illustration#	Part#	Description
1	037166	Screw (2 required)
2	038073	Plastic Net
3	038074	Power On Red Light
4	038075	Ready Green Light
5	038086	Warmer Switch (2 required)
6	038084	Lock Washer (2 required)
7	016236	Hex Nut (2 required)
8	038072	Spreader Holder
9	038076	Screw
10	038044	Spreader
11	038018	Brew Basket
12	038080	24" Burgundy Lead
13	038077	4.75" Burgundy Lead
14	038081	Double White & Burgundy Lead
15	038078	8.25" Blue Lead
16	038079	8.5" White Lead
17	038083	8.5" Yellow/Green Lead
18	037166	Screw
19	038085	Spring Washer
20	037158	Lock Washer
21	037171	Hex Nut
22	038085	Spring Washer
23	037158	Lock Washer
24	038082	Relay
25	013731	Wire Ties (8 required)
26	012409 019123	Small Crimp Connector (3 required) Large Crimp Connector (2 required)
27	037153	Thermal Cut Off
28	037171	Hex Nut (2 required)

Illustration#	Part#	Description
29	037154	Hex Nut (2 required)
30	037161	Screw (2 required)
31	037158	Lock Washer (2 required)
32	038071	Boiler
33	037166	Screw (3 required)
34	038070	12.5" Hose
35	038067	11" Hose
36	038068	9.25" Hose
37	038069	7" Hose
38	037166	Screw
39	038085	Spring Washer
40	037158	Lock Washer
41	038066	Back Plate
42	037166	Screw (8 required)
43	037172	Strain Relief
44	037173	Cord
45	037995	Bottom Plate
46	037166	Screw (7 required)
47	037942	Foot (4 required)

038020
Package of Filters