

WARING COMMERCIAL

MX1300 / MX1500 /64 oz. Poly.

MX1300P / MX1500P /32 oz. Poly.

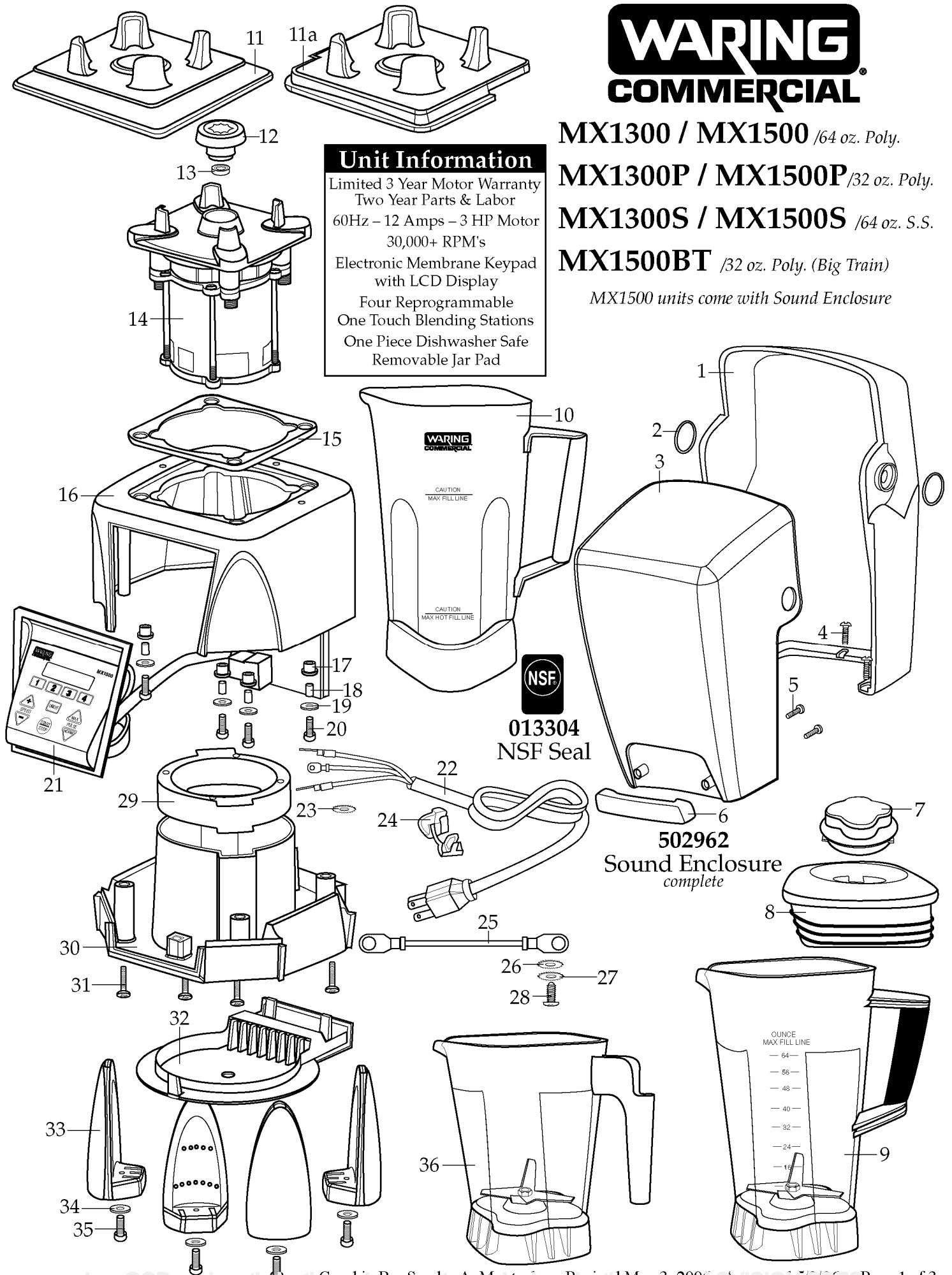
MX1300S / MX1500S /64 oz. S.S.

MX1500BT /32 oz. Poly. (Big Train)

MX1500 units come with Sound Enclosure

Unit Information

Limited 3 Year Motor Warranty
Two Year Parts & Labor
60Hz - 12 Amps - 3 HP Motor
30,000+ RPM's
Electronic Membrane Keypad
with LCD Display
Four Reprogrammable
One Touch Blending Stations
One Piece Dishwasher Safe
Removable Jar Pad



Catalog

MX1300 / MX1500 / MX1500BT
 MX1300S / MX1500S
 MX1300P / MX1500P

Model

MXPPGYP6
 MXPPGYS6
 MXPPGYP4



Illustration #	Part #	Description
1	026432	Sound Enclosure Inner
2	027447	"O" Ring 2 Req.'d
3	026433	Sound Enclosure Outer
4	026461	Housing Screw 3 Req.'d
5	012505	Scew 2 Req.'d
6	026434	Sound Enclosure Handle
7	026425	Jar Lid Cover
8	026424	Jar Lid
9	503005	Jar with Blending Assy. /64 oz. polycarbonate
10	503009	Jar with Blending Assy. /64 oz. stainless steel
11	026442	Jar Pad for MX1300 & MX1300S
11a	026443	Jar Pad for MX1500 & MX1500S
12	027377	Drive Clutch
13	027279	Motor Shaft Spacer
14	027674	Motor/Speed Control
15	026437	Dampening Plate Gasket
16	026426-07	Top Housing
17	026439	Dampening Plate Bushing 4 Req.'d
18	026453	Dampening Plate Sleeve 4 Req.'d
19	026459	Washer 4 Req.'d
20	026455	Screw 4 Req.'d
21	028028	Control Panel Assembly
22	026925	Cord Set
23	002943	Washer 2 Req.'d
24	007556	Strain Relief
25	502894	Lead Assy. /green-yellow
26	018013	Lock Washer /ground to motor
27	027161	Lock Washer /ground lead (<i>current production</i>)

Catalog

MX1300 / MX1500 / MX1500BT
MX1300S / MX1500S
MX1300P / MX1500P

Model

MXPPGYP6
MXPPGYS6
MXPPGYP4



Illustration #	Part #	Description
28	027693	Screw /ground lead (<i>current production</i>)
	007558	Screw /ground lead (<i>older units</i>)
29	026441	Motor Baffle
30	026427-07-x	Bottom Housing
31	012505	Screw 4 Req.'d
32	026429-07	Bottom Housing Cover
33	026430	Corner Post 4 Req.'d
34	026459	Washer 4 Req.'d
35	012505	Screw 4 Req.'d
36	503010	Jar with Blending Assy. /32 oz. polycarbonate
	503078	Jar with Blending Assy. /32 oz. polycarbonate w/Big Train Logo

