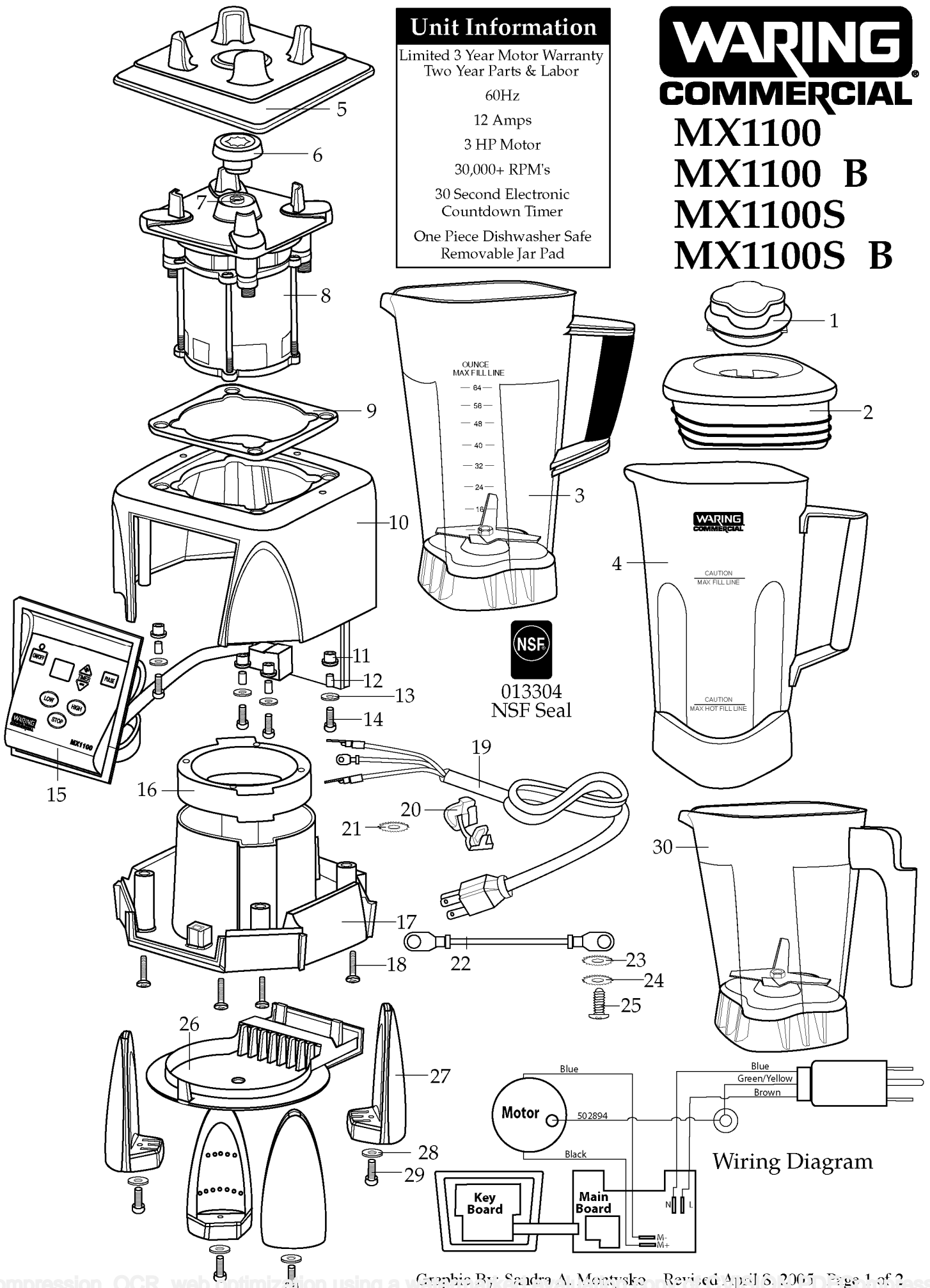


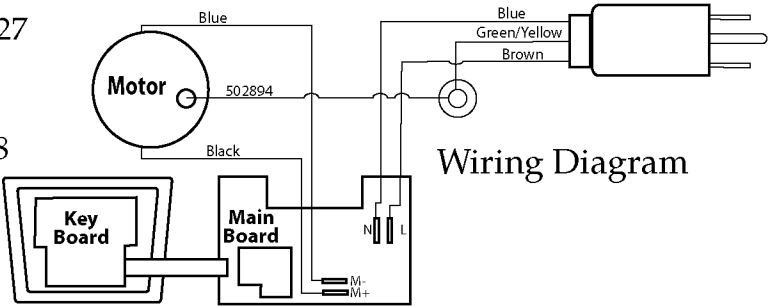
Unit Information

Limited 3 Year Motor Warranty
 Two Year Parts & Labor
 60Hz
 12 Amps
 3 HP Motor
 30,000+ RPM's
 30 Second Electronic
 Countdown Timer
 One Piece Dishwasher Safe
 Removable Jar Pad

WARING COMMERCIAL MX1100 MX1100 B MX1100S MX1100S B



NSF
 013304
 NSF Seal



Catalog

MX1100

MX1100 B (*current production*)

MX1100S

MX1100S B (*current production*)**Model**

MXTPGY6

MXTPGYS6



Illustration #	Part #	Description
1	026425	Jar Lid Cover
2	026424	Jar Lid
3	503005	Jar with Blending Assy. /64 oz. polycarbonate
4	503009	Jar with Blending Assy. /64 oz. stainless steel
5	026442	Jar Pad
6	027377	Drive Clutch
7	027279	Motor Shaft Spacer
8	027612	Motor with Dampening Plate (<i>current production</i>)
	026926	Motor with Dampening Plate (<i>older units</i>)
9	026437	Dampening Plate Gasket
10	026426-07	Top Housing
11	026439	Dampening Plate Bushing 4 Req.'d
12	026453	Dampening Plate Sleeve 4 Req.'d
13	026459	Washer 4 Req.'d
14	026455	Screw 4 Req.'d
15	026931	Control Panel Assembly
16	026441	Motor Baffle
17	026427-07-x	Bottom Housing
18	012505	Screw 4 Req.'d
19	026925	Cord
20	007556	Strain Relief
21	002943	Lock Washer 2 Req.'d /ground to hsg.
22	502894	Lead Assy. /green-yellow
23	018013	Lock Washer /ground to motor
24	027161	Lock Washer /ground-lead (<i>current production</i>)
25	027693	Screw /ground-lead (<i>current production</i>)
	007558	Screw /ground-lead (<i>older units</i>)
26	026429-07	Bottom Housing Cover
27	026430	Corner Post 4 Req.'d
28	026459	Washer 4 Req.'d
29	012505	Screw 4 Req.'d
30	503010	Jar with Blending Assy. /32 oz. polycarbonate