

WARING COMMERCIAL

Xtreme Blender with Electronic Membrane Keypad and a 30 Second Electronic Countdown Timer with a 48 oz. Stackable Raptor Container

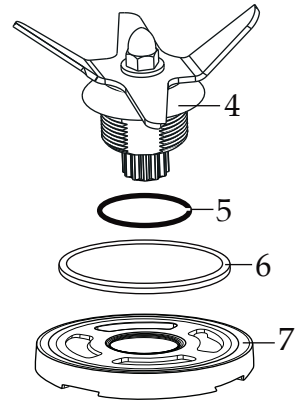
MX1100TXP

Unit Information

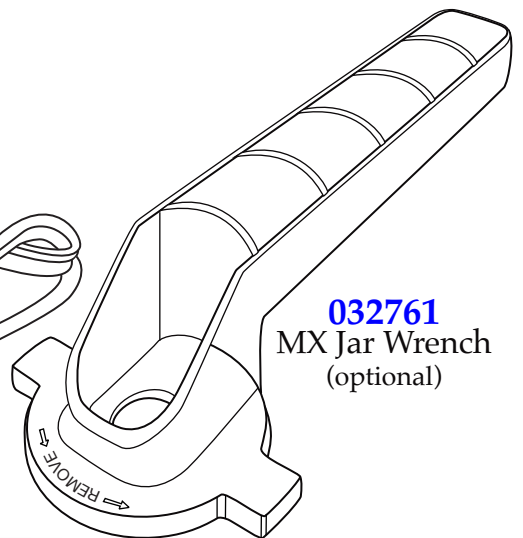
Limited 3 Year Motor Warranty
Two Year Parts & Labor
60Hz - 13 Amps
3 HP Motor - 30,000+ RPM's
30 Second Electronic Countdown Timer
One Piece Dishwasher Safe Removable Jar Pad



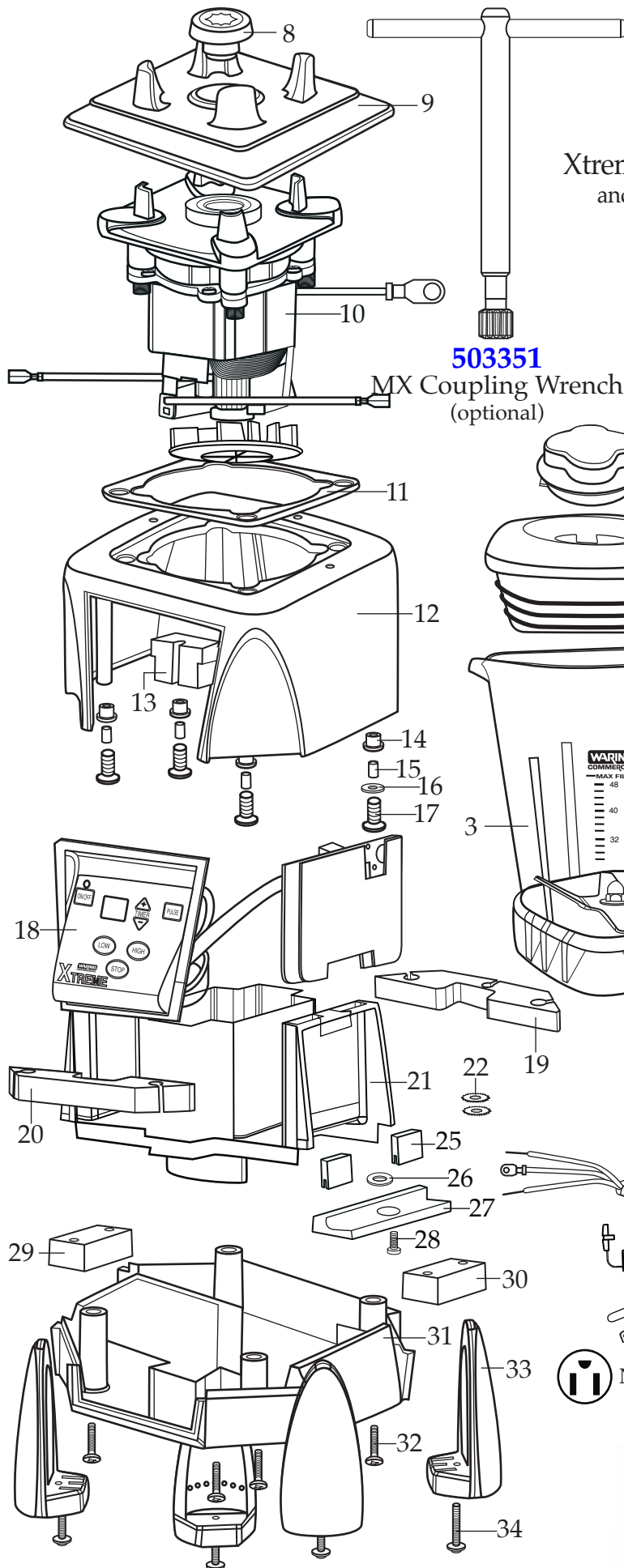
013304
NSF Seal



030889
Blending Assembly Kit



032761
MX Jar Wrench (optional)



503351
MX Coupling Wrench (optional)



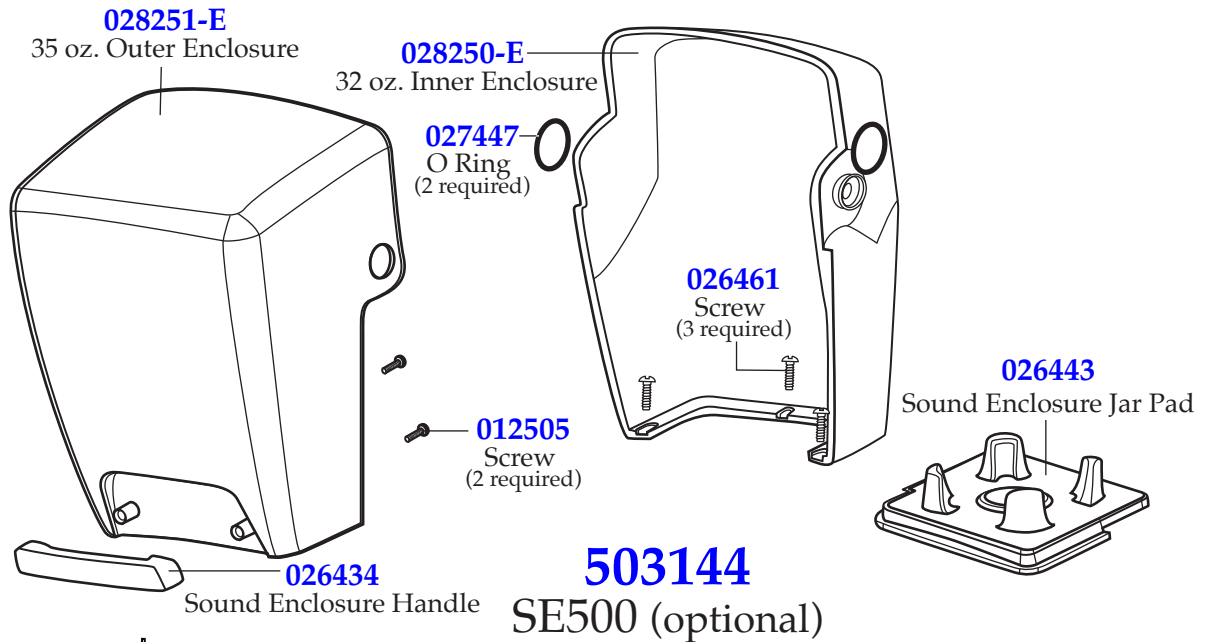
NEMA 5-15



Date Code Location
YY|MM|DD
year|year|month|month|day|day

Illustration#	Part#	Description
1	026425-E	Eastman Jar Lid Cover
2	026424-V	Vinyl Jar Lid
3	030888	48 oz. Raptor Container ONLY
	503439	48 oz. Raptor Container with Blending Assembly
4	503397	Blade Assembly
5	024271	Bearing Holder O Ring
6	024268	Nut Gasket
7	029631	Bearing Holder Nut
8	503601	Sq. Drive Coupling with Adapter <i>(on units after 3/29/2022)</i>
	503604	Sq. Drive Coupling with Adapter 2 Gen <i>(changed after 5/7/2021)</i>
	028538	Drive Coupling
9	026442	Jar Pad
10	035396	Leili Motor without Sensor <i>(on units after 7/27/2017)</i>
	028100	ECM Motor without Sensor
11	038278	Dampening Plate Gasket <i>(on units after 8/28/2022)</i>
	026437	Dampening Plate Gasket
12	028032-09	Top Housing /black
13	028541	Motor Foam (2 required)
14	026439	Dampening Plate Bushing (4 required)
15	038486	Dampening Plate Sleeve (4 required <i>on units after 8/25/2022</i>)
	026453	Dampening Plate Sleeve (4 required)
16	026459	Washer
17	028929	Sems (4 required)
18	036398	Control Panel with Interlock <i>(on units after 8/7/2018)</i> comes with key board-main board
	029810	Soft Start Control Panel (use 036398)
19	028248	Top Housing Foam Rear Baffle
20	028249	Top Housing Foam Front Baffle
21	036814	Motor Housing 2.78" <i>(on units after 5/16/2019)</i>
	028240-67	Motor Housing 67 mm <i>(on units after 7/27/2017)</i>
	028240	Motor Housing 60 mm
22	002943	Washer (2 required)
23	026925	Cord Set
24	007556	Strain Relief
25	034900	PCB Cushion (2 required <i>on units after 5/16/2019</i>)
26	037232	Neoprene Washer <i>(on units after 5/16/2019)</i>
27	037007	PCB Mounting Bracket <i>(on units after 5/16/2019)</i>
28	013768	Screw <i>(on units after 5/16/2019)</i>
29	028247	Bottom Housing Foam Baffle

Illustration#	Part#	Description
30	028542	Foam Baffle
31	028241-09-X	Bottom Housing /black
32	012505	Screw (4 required)
33	026430	Corner Post (4 required)
34	028928	Sems (4 required)

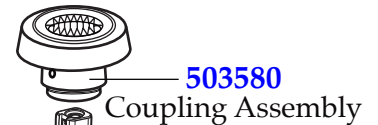


033483
 Brush/Spring for ECM motor 028100
 (2 required)



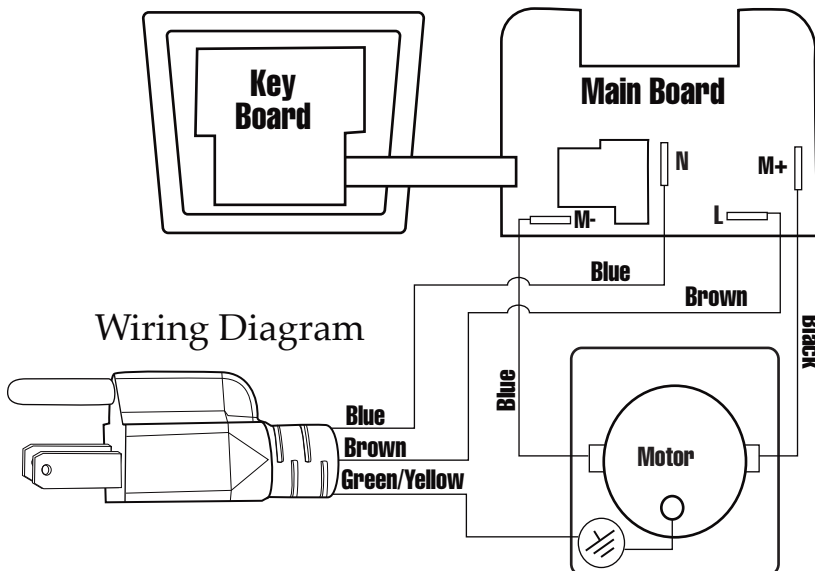
037041
 Adapter

503601
 Sq. Drive Coupling
 with Adapter



038243
 Sq. Drive Adapter

503604
 Sq. Drive Coupling
 with Adapter 2 Gen.



Wiring Diagram