

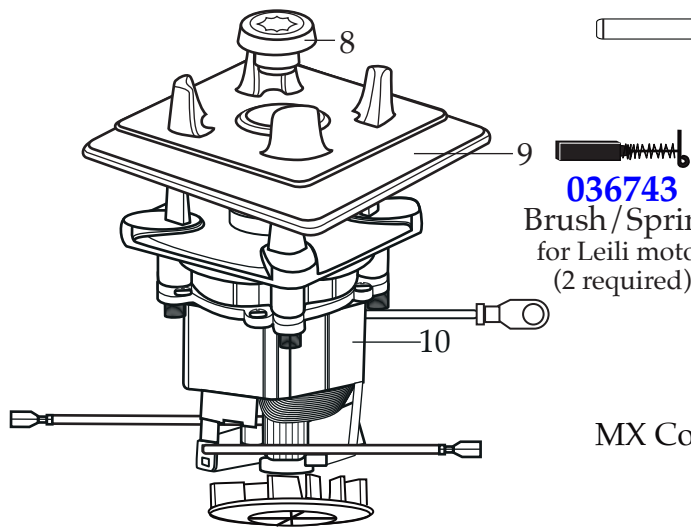
WARING COMMERCIAL

Xtreme Blender with Electronic Membrane Keypad and 48 oz. Raptor Container

MX1050TXP

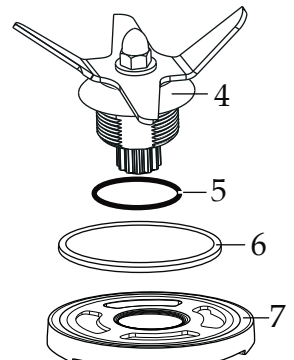
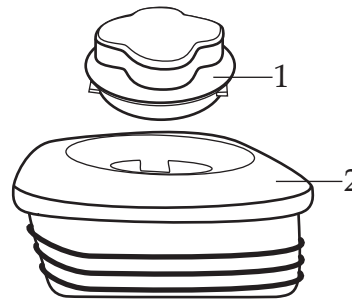
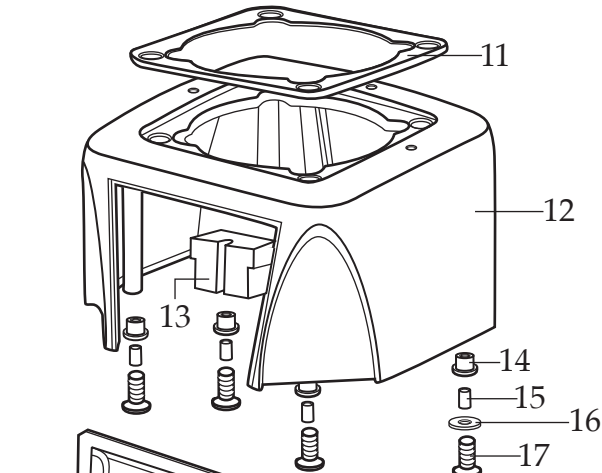
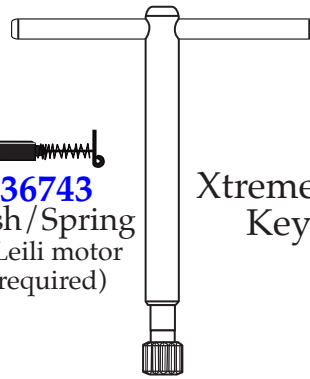
Unit Information

Limited 3 Year Motor Warranty
Two Year Parts & Labor
60Hz – 13 Amps
Height 19" – Weight 15 lbs.
3 HP Motor
30,000+ RPM's
One Piece Dishwasher Safe Removable Jar Pad

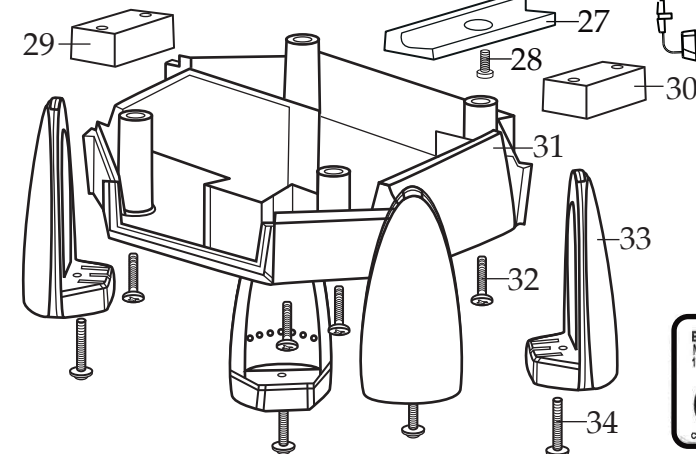
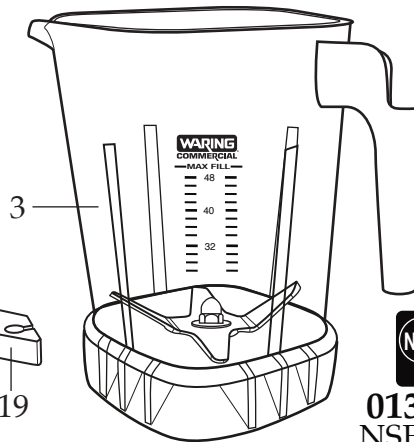
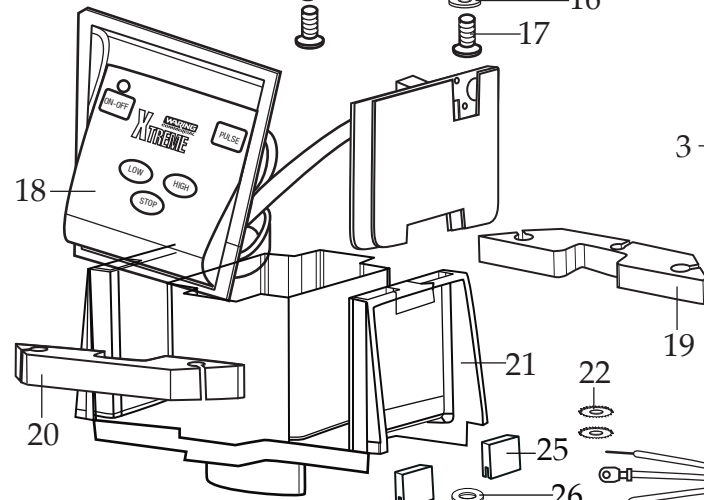


036743
Brush/Spring
for Leili motor
(2 required)

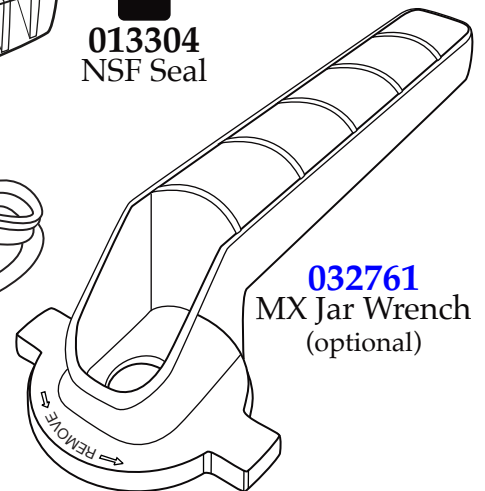
503351
MX Coupling Wrench
(optional)



030889
Blending Assembly Kit



NEMA 5-15



← Date Code Location
YY|MM|DD
year year | month month | day day

Illustration#	Part#	Description
1	026425-E	Jar Lid Cover
2	026424-V	Jar Lid
3	030888 503439	48 oz. Stackable Raptor Container ONLY 48 oz. Stackable Raptor Container with Blending Assembly
4	503397	Blade Assembly
5	024271	Bearing Holder O Ring
6	024268	Rubber Nut Gasket
7	029631	Bearing Nut
8	503601 503604 028538	Sq. Drive Coupling with Adapter <i>(on units after 3/29/2022)</i> Sq. Drive Coupling with Adapter 2 Gen <i>(changed after 5/7/2021)</i> Drive Coupling
9	026442	Jar Pad
10	035396 028100	Leili Motor without Sensor <i>(on units after 7/27/2017)</i> ECM Motor without Sensor <i>(obsolete)</i>
11	038278 026437	Dampening Plate Gasket <i>(on unit after 8/25/2022)</i> Dampening Plate Gasket
12	028032-09	Top Housing /black
13	028541	Motor Foam (2 required)
14	026439	Dampening Plate Bushing (4 required)
15	038486 026453	Dampening Plate Sleeve (4 required <i>on units after 8/25/2022</i>) Dampening Plate Sleeve (4 required)
16	026459	Washer
17	028929	Sems (4 required)
18	036396 029809	Control Panel with Interlock <i>(on units after 2/7/2019)</i> comes with key board-main board Soft Start Control Panel (use 036396)
19	028248	Top Housing Foam Rear Baffle
20	028249	Top Housing Foam Front Baffle
21	036814 028240-67 028240	Motor Housing 2.28" <i>(on units after 5/7/2019)</i> Motor Housing <i>(on units after 7/27/2017)</i> Motor Housing
22	002943	Washer (2 required)
23	026925	Cord Set
24	007556	Strain Relief
25	034900	PCB Cushion (2 required <i>on units after 7/18/2019</i>)
26	037232	Neoprene Washer <i>(on units after 7/18/2019)</i>
27	037007	PCB Mounting Bracket <i>(on units after 7/18/2019)</i>

Illustration#	Part#	Description
28	013768	Screw (on units after 7/18/2019)
29	028247	Bottom Housing Foam Baffle
30	028542	Foam Baffle
31	028241-09-X	Bottom Housing /black
32	012505	Screw (4 required)
33	026430	Corner Post (4 required)
34	028928	Sems (4 required)

