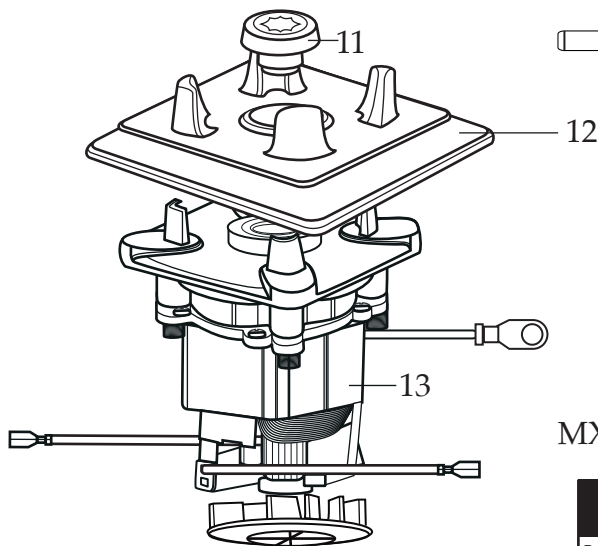


WARING COMMERCIAL

Xtreme Blender with Electronic Membrane Keypad and 64 oz. Stainless Steel Container MX1050XTS

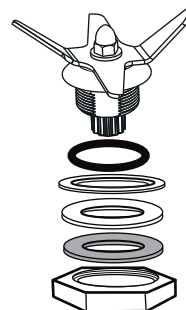
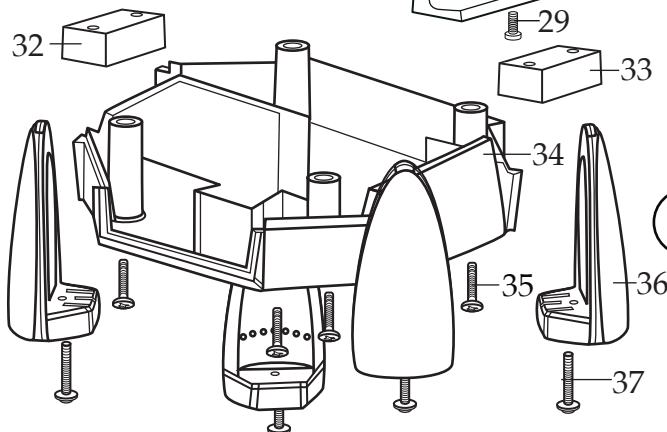
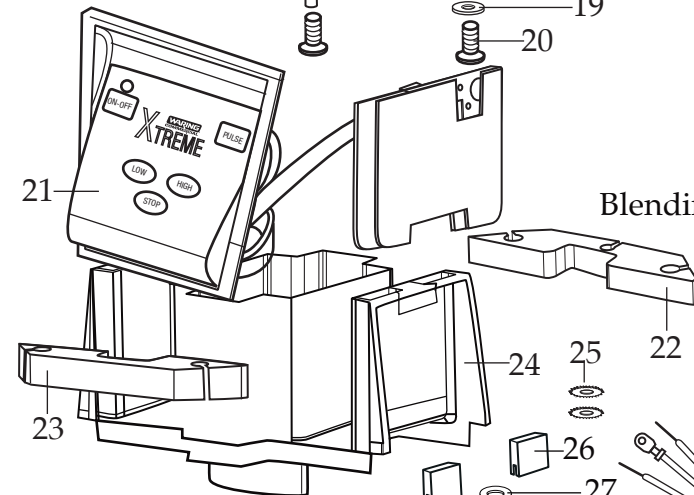
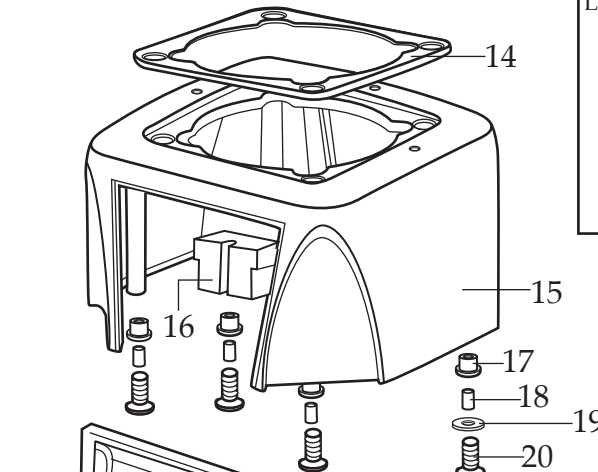


503351
MX Coupling Wrench
(optional)

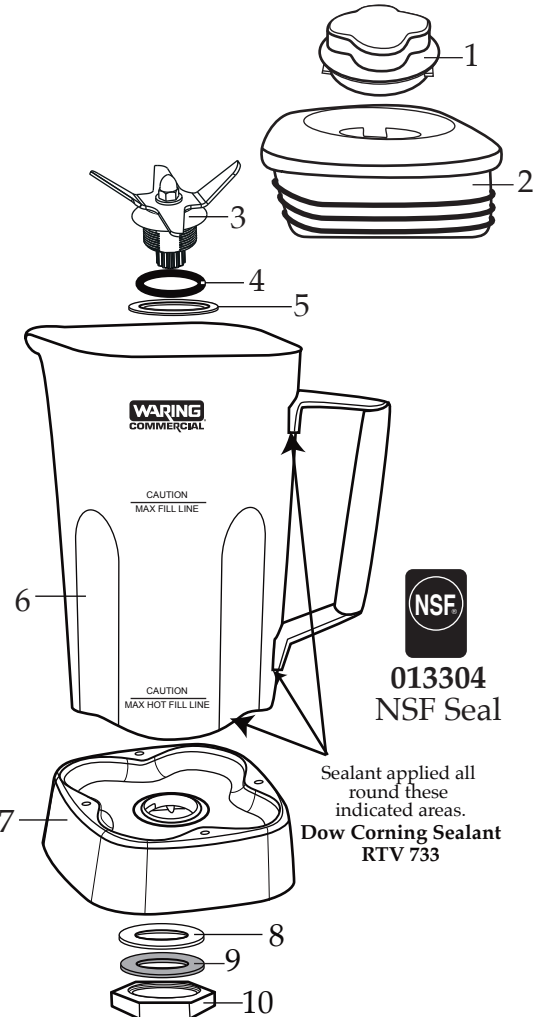
Unit Information

Limited 3 Year Motor Warranty
Two Year Parts & Labor

60Hz - 13 Amps
3 HP Motor
30,000+ RPM's
One Piece Dishwasher Safe
Removable Jar Pad



032483
Blending Assembly Kit



503346
Stainless Steel Container with
Blending Assembly
(on units after 2/11/2011)

503372
Stainless Steel Container with
Blending Assembly

Notes for 503346 :
Torque 100-125 in/lbs
Lubricant applied to O Ring
Dow Corning 200 (R) Fluid



← Date Code Location
YY|MM|DD
year year | month month | day day

| Illustration# | Part# | Description |
|---------------|-------------------------------|--|
| 1 | 026425-E | Jar Lid Cover <i>(changed after 5/27/2010)</i> |
| 2 | 026424-V | Jar Lid <i>(changed after 11/8/2012)</i> |
| 3 | 503566 503345 | Blade Assembly <i>(on units after 2/1/2019)</i> Blade Assembly <i>(changed after 2/11/2011)</i> |
| 4 | 024271 | O Ring |
| 5 | 026798 | Support Washer |
| 6 | 026648 | 64 oz. Stainless Steel Container ONLY |
| 7 | 026649 | Container Support |
| 8 | 026797 | Bearing Holder Gasket |
| 9 | 026796 | Bearing Holder Washer |
| 10 | 026795 | Stainless Steel Jar Bearing Holder Nut |
| 11 | 503601 503604 028538 | Sq. Drive Coupling with Adapter <i>(on units after 3/29/2022)</i> Sq. Drive Coupling with Adapter 2 Gen <i>(on units after 5/7/2021)</i> Drive Coupling |
| 12 | 026442 | Jar Pad |
| 13 | 035396 028100 | Leili Motor without Sensor <i>(on units after 7/27/2017)</i> ECM Motor without Sensor |
| 14 | 038278 026437 | Dampening Plate Gasket <i>(on units after 8/25/2022)</i> Dampening Plate Gasket |
| 15 | 028032-09 | Black Top Housing |
| 16 | 028541 | Motor Foam (2 required) |
| 17 | 026439 | Dampening Plate Bushing (4 required) |
| 18 | 038486 026453 | Dampening Plate Sleeve (4 required <i>on units after 8/25/2022</i>) Dampening Plate Sleeve (4 required) |
| 19 | 026459 | Washer |
| 20 | 028929 026459 026455 | Sems (4 required <i>on units after 6/25/2007</i>) Washer (4 required) Screw (4 required) |
| 21 | 036396 029809 | Contol Panel with Interlock <i>(on units after 1/16/2019)</i> comes with key board-main board Soft Start Control Panel <i>(changed after 9/20/2010 use 036396)</i> |
| 22 | 028248 | Top Housing Foam Rear Baffle |
| 23 | 028249 | Top Housing Foam Front Baffle |
| 24 | 036814 028240-67 028240 | Motor Housing 2.78" <i>(on units after 7/18/2019)</i> 67 mm Motor Housing <i>(on units after 7/27/2017)</i> Motor Housing |
| 25 | 002943 | Washer (2 required) |
| 26 | 034900 | PCB Cushion (2 required) |
| 27 | 037232 | Neoprene Washer |

| Illustration# | Part# | Description |
|---------------|-------------|--|
| 28 | 037007 | PCB Mounting Bracket |
| 29 | 013768 | Screw |
| 30 | 026925 | Cord Set |
| 31 | 007556 | Strain Relief |
| 32 | 028247 | Bottom Housing Foam Baffle |
| 33 | 028542 | Foam Baffle |
| 34 | 028241-09-X | Black Bottom Housing |
| 35 | 012505 | Screw (4 required) |
| 36 | 026430 | Corner Post (4 required) |
| 37 | 028928 | Sems (4 required <i>on units after 6/25/2007</i>) |
| | 026459 | Washer (4 required) |
| | 012505 | Screw (4 required) |

