

Unit Information

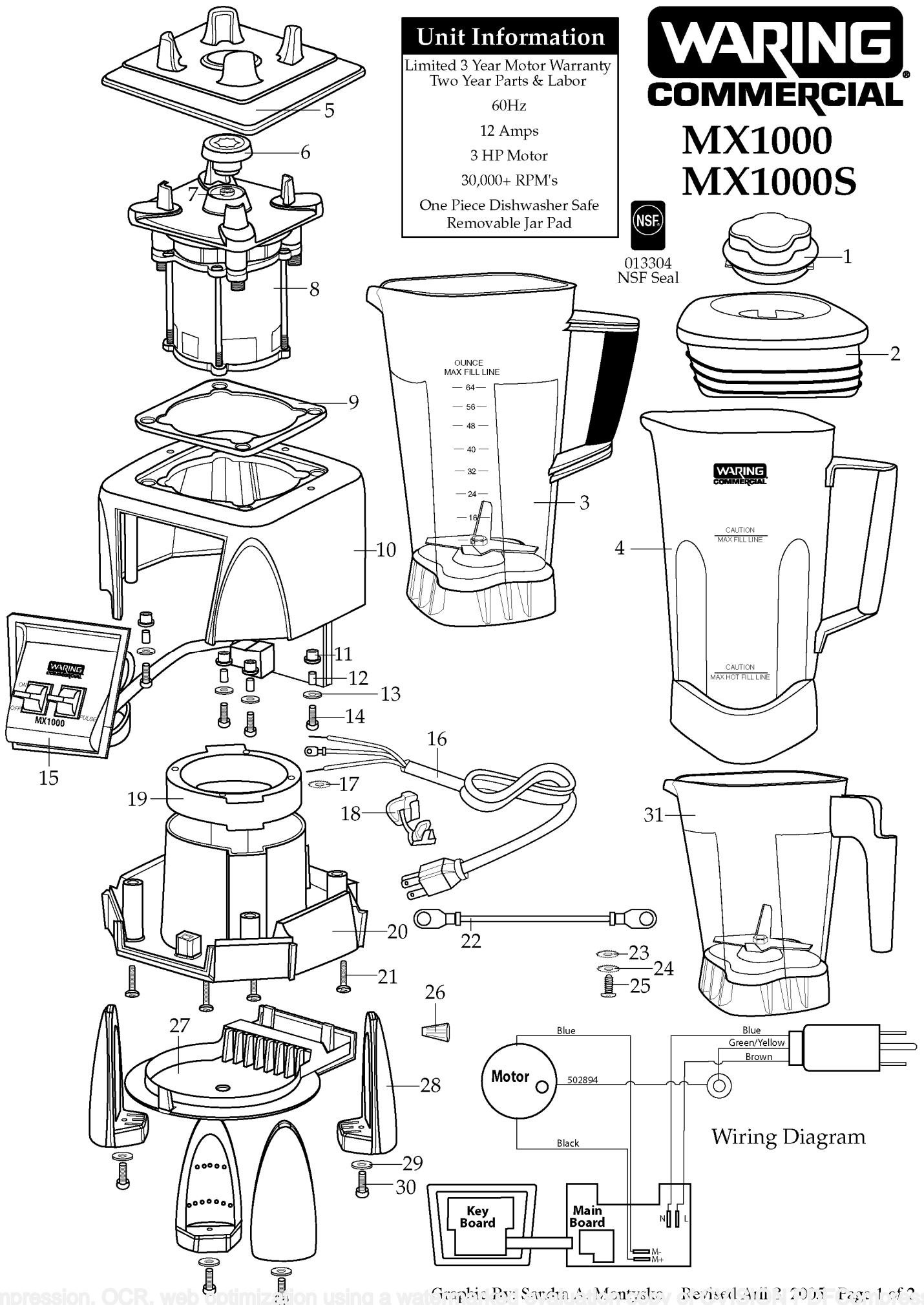
Limited 3 Year Motor Warranty
 Two Year Parts & Labor
 60Hz
 12 Amps
 3 HP Motor
 30,000+ RPM's
 One Piece Dishwasher Safe
 Removable Jar Pad

WARING COMMERCIAL

MX1000 MX1000S



013304
 NSF Seal



Catalog	Model Older	Model Current
MX1000	MXMPGYP6	MXMPGYP6-1
MX1000S	MXMPGYS6	MXMPGYS6-1



Illustration #	Part #	Description
1	026425	Jar Lid Cover
2	026424	Jar Lid
3	503005	Jar with Blending Assy. /64 oz. polycarbonate
4	503009	Jar with Blending Assy. /64 oz. stainless steel
5	026442	Jar Pad
6	027377	Drive Clutch
7	027279	Motor Shaft Spacer
8	027612	Motor with Dampening Plate
9	026437	Dampening Plate Gasket
10	026426-07	Top Housing
11	026439	Dampening Plate Bushing 4 Req.'d
12	026453	Dampening Plate Sleeve 4 Req.'d
13	026459	Washer 4 Req.'d
14	026455	Screw 4 Req.'d
15	027672	Control Panel
16	026925	Cord (<i>current production</i>)
	026978	Cord (<i>older units</i>)
17	002943	Washer 2 Req.'d /ground-cord
18	007556	Strain Relief
19	026441	Motor Baffle
20	026427-07-x	Bottom Housing
21	012505	Screw 4 Req.'d
22	502894	Lead Assy. /green-yellow
23	018013	Lock Washer /ground-lead
24	027161	Lock Washer /ground-lead (<i>current production</i>)
25	027693	Screw /ground-lead (<i>current production</i>)
	007558	Screw /ground-lead (<i>older units</i>)
26	009051	Wire Nut 2 Req.'d
27	026429-07	Bottom Housing Cover
28	026430	Corner Post 4 Req.'d
29	026459	Washer 4 Req.'d
30	012505	Screw 4 Req.'d
31	503010	Jar with Blending Assy. /32 oz. polycarbonate

Items Not Shown (*older units*)

502861 - Lead Assy. /brown-cord

502863 - Lead Assy. /brown-switch