

WARING COMMERCIAL®

Half Gallon Blenders

HGB140

plastic top housing with 64 oz. Eastman container

HGB150

plastic housing with 64 oz. stainless steel container

HGBSS

stainless steel top housing with 64 oz. stainless steel container

Units Marked for Deletion

HGB13R/Rykoﬀ (on 9/2000)

plastic top housing with 64 oz. Eastman container

HGBSP (on 9/2000)

stainless steel top housing with 64 oz. lexan container

HGC140/CSA (on 4/2005)

plastic top housing with 64 oz. Eastman container

HGC150/CSA (on 4/2005)

plastic top housing with 64 oz. stainless steel container

HGCCS/CSA (on 2/2003)

stainless steel top housing with 64 oz. stainless steel container

HGD140/Edward Don (on 4/2011)

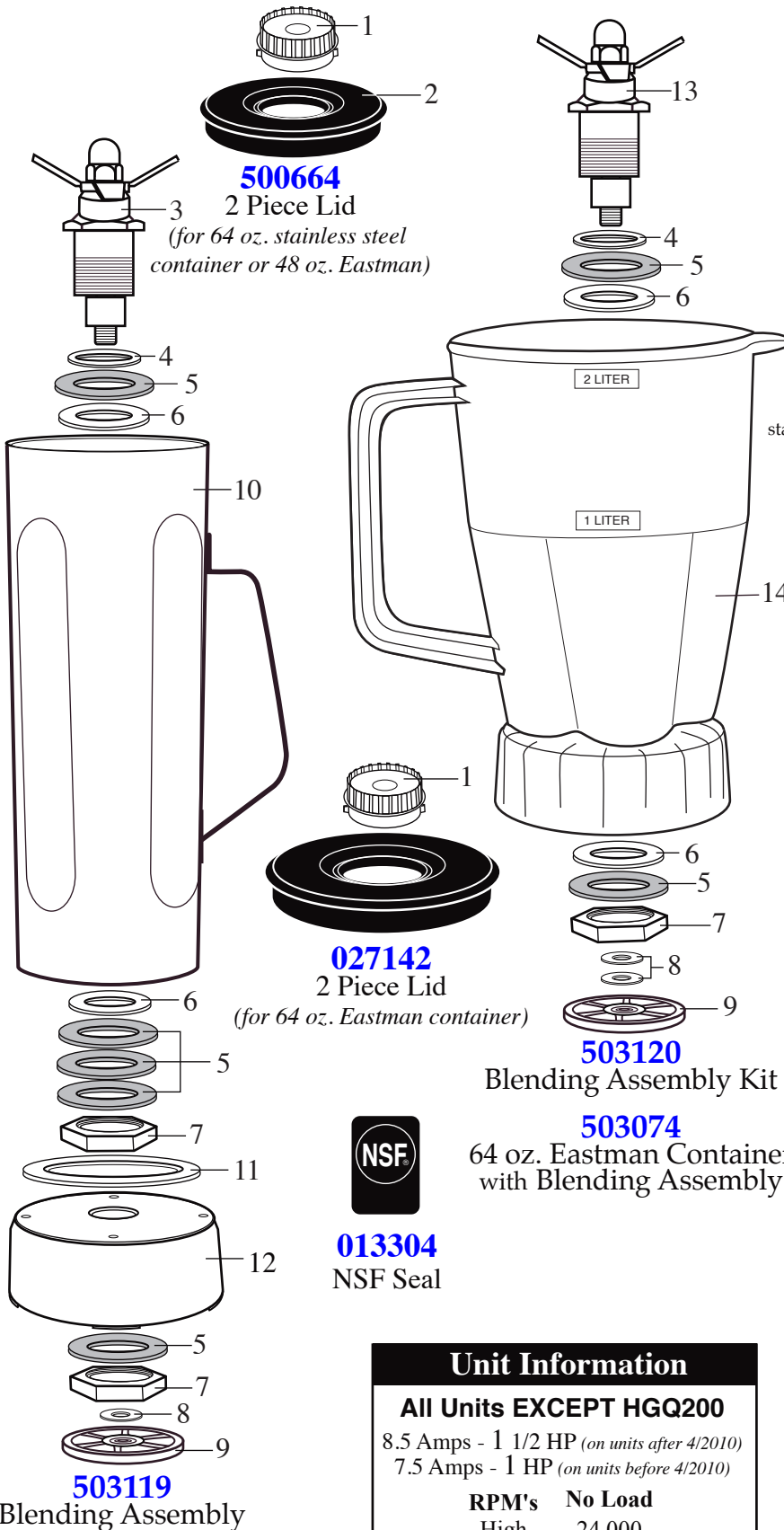
plastic top housing with 64 oz. Eastman container

HGD150/Edward Don (on 4/2011)

plastic top housing with 64 oz. stainless steel container

HGQ200/quiet blender (on 4/2002)

stainless steel top hsg. w/ 48 oz. Eastman container



500664
2 Piece Lid
(for 64 oz. stainless steel container or 48 oz. Eastman)

027142
2 Piece Lid
(for 64 oz. Eastman container)

503120
Blending Assembly Kit

503074
64 oz. Eastman Container with Blending Assembly

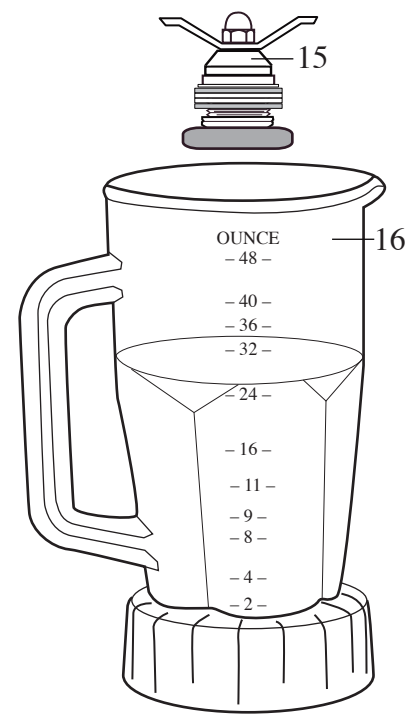


503119
Blending Assembly

503079
64 oz. Stainless Steel Container with Blending Assembly

701402
64 oz. Stainless Steel Container with Blending Assembly and Lid

Unit Information	
All Units EXCEPT HGQ200	
8.5 Amps - 1 1/2 HP (on units after 4/2010)	
7.5 Amps - 1 HP (on units before 4/2010)	
RPM's	No Load
High	24,000
Low	20,000
HGQ200	1/2 HP Speed No Load
High	12,400 RPM's - 103 Watts
Low	9,500 RPM's - 78 Watts



503154
48 oz. Eastman Container with Blending Assembly



Half Gallon Blenders

HGB140

HGB150

HGBSS

Units Marked for Deletion

HGB13R/Rykoﬀ (on 9/2000)

HGBSP (on 9/2000)

HGC140/CSA (on 4/2005)

HGC150/CSA (on 4/2005)

HGCSS/CSA (on 2/2003)

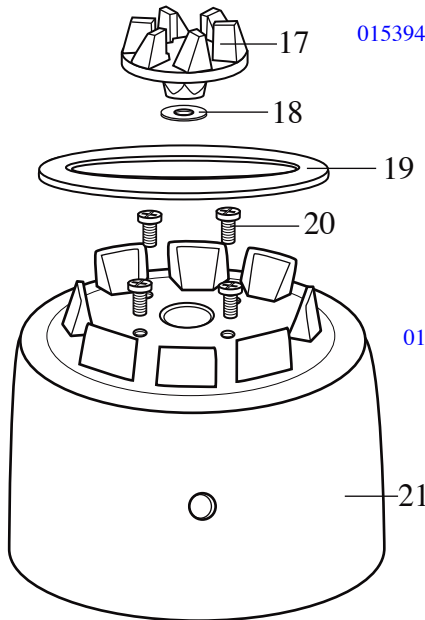
HGD140/Edward Don (on 4/2011)

HGD150/Edward Don (on 4/2011)

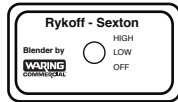
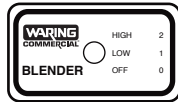
HGQ200/quiet blender (on 4/2002)

Base Units

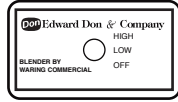
Plastic Top Housing



015394 for Plastic Housing Units EXCEPT

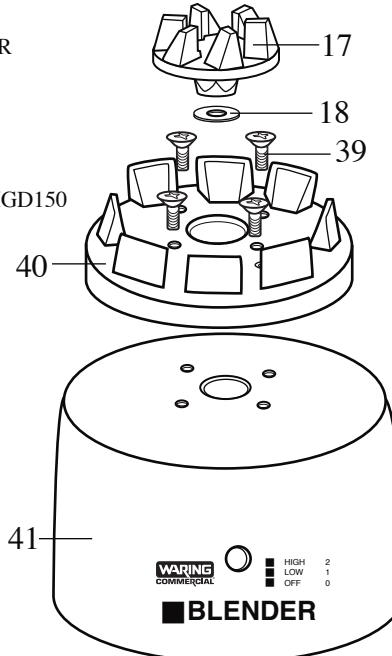


016795 for HGB13R



018140 for HGD140 or HGD150

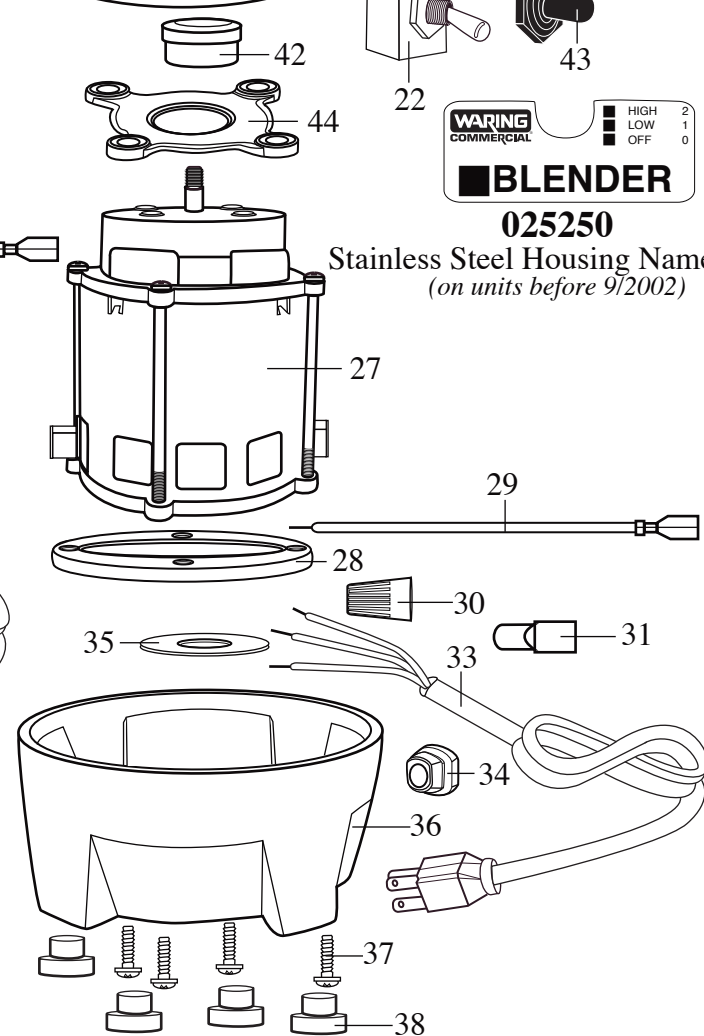
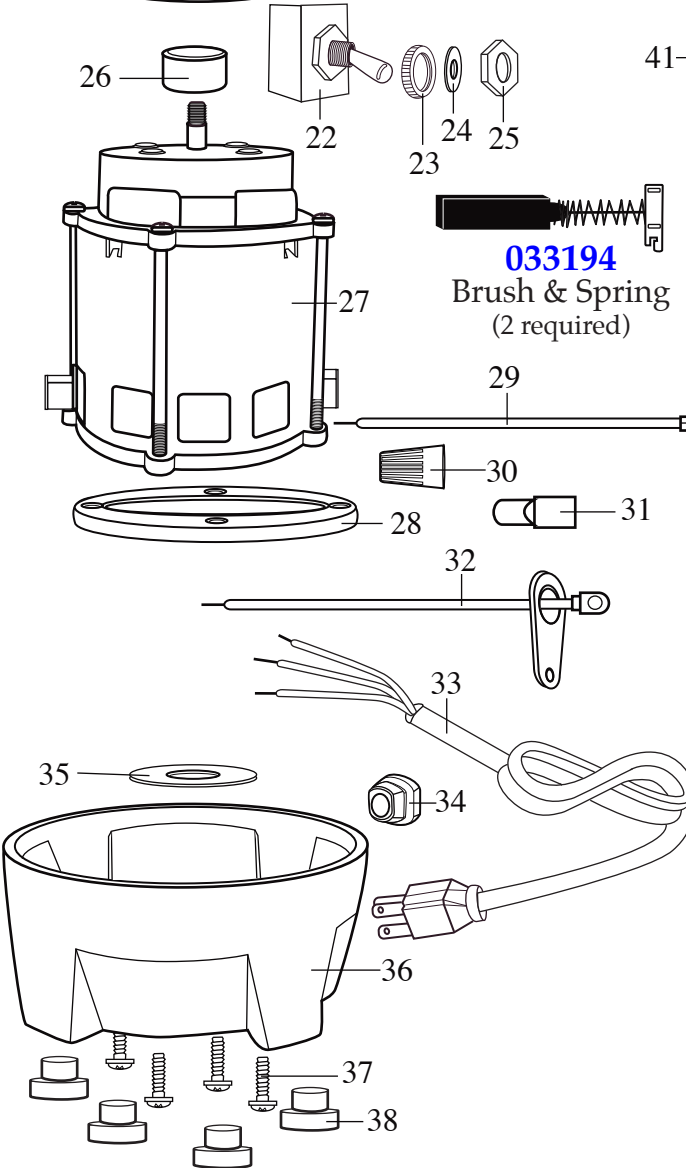
Stainless Steel Top Housing



025250
Stainless Steel Housing Name Plate
(on units before 9/2002)



033194
Brush & Spring
(2 required)



Catalog**Model**

HGB140	36BL24	HGBPBKP6	} (on units after 4/2010 - 8.5 amps)
HGB150	34BL92	HGBPBKS6	
HGBSS	36BL23	HGBSSSS6	} (on units after 12/2001 - 7.5 amps)
HGB13R	36BL36 (on units after 10/1999)		
HGBSP	36BL22 (on units after 10/1999)		
HGC140	36BL37	HGBPBKP6	} (on units after 12/2001)
HGC150	35BL49	HGBPBKS6	
HGCSS	36BL27	HGBSSSS6	
HGD140	37BL32	HGBPBKP6	
HGD150	37BL33	HGBPBKS6	
HGQ200	34BL75 (on units after 10/1999)		



Illustration #	Part #	Description
1	011700	Center Lid
2	013442	Outer Lid
3	503077	Blade Assembly
4	009724	Nylon Washer
5	003537	Stainless Steel Washer
6	003509	Neoprene Washer
7	009780	Hex Nut
8	003507	Stainless Steel Washer
9	014014	Wheel Coupling
10	007540	64 oz. Stainless Steel Container
11	014915	Rubber Washer
12	014914	Container Base
13	503065	Blade Assembly
14	016390-E	64 oz. Eastman Copolyester Container
15	503173	48 oz. Eastman Container Blending Assembly
16	019560-E	48 oz. Eastman Copolyester Container
17	018999	Coupling (underneath (4))
18	026413 003507	Cap Washer (on units after 9/2002) Washer
19	017777	Cushion Ring
20	007558	Screw (4 required)
21	015377-09	Black Plastic Top Housing
22	029355 012698	Toggle Switch (on units after 12/31/2008) Toggle Switch
23	014603	Locking Ring
24	014604	Washer
25	016236	Hex Nut
26	019937	Housing Seal
27	029321 029319	Motor (All Units EXCEPT HGQ200) HGQ200 Motor
28	025662 013365	Foam Baffle (on units after 1/2000) Baffle
29	501232	White Lead (on units after 9/27/2002)
30	009051	Wire Nut (2 required)

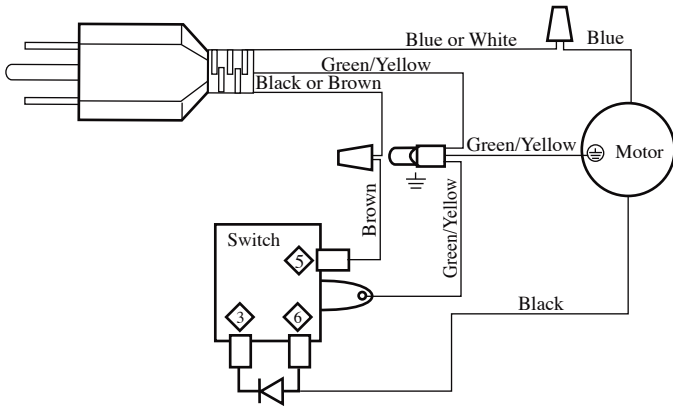
Catalog

Model

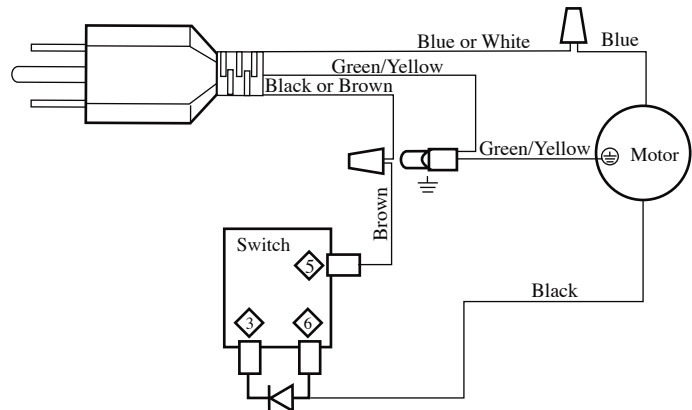
HGB140	36BL24	HGBPBKP6	} (on units after 4/2010 - 8.5 amps)
HGB150	34BL92	HGBPBKS6	
HGBSS	36BL23	HGBSSSS6	} (on units after 12/2001 - 7.5 amps)
HGB13R	36BL36 (on units after 10/1999)		
HGBSP	36BL22 (on units after 10/1999)		
HGC140	36BL37	HGBPBKP6	} (on units after 12/2001)
HGC150	35BL49	HGBPBKS6	
HGCSS	36BL27	HGBSSSS6	
HGD140	37BL32	HGBPBKP6	
HGD150	37BL33	HGBPBKS6	
HGQ200	34BL75 (on units after 10/1999)		

Waring Factory Service Center
 314 Ella T. Grasso Ave.
 Torrington, CT 06790
 Tele. 1-800-269-6640
 Fax 860-496-9017
 www.waringcommercialproducts.com

Illustration #	Part #	Description
31	012409	Crimp Connector (1 required <i>on units after 7/25/2008</i>) (2 required for HGC units)
32	503195 501658	Green-Yellow Lead with 017047 Solder Lug (<i>on units after 5/2/2008</i>) Green-Yellow Lead
33	029309 003565 500830	Cord Set (<i>on units after 7/25/2008</i>) Cord Set Cord Set (<i>on units before 9/2002</i>)
34	012920 007556	Strain Relief (<i>on units after 7/25/2008</i>) Strain Relief
35	008324	Gasket
36	028591-X 014012	Textured Bottom Housing (<i>on units after 7/25/2008</i>) Bottom Housing
37	017239	Screw (4 required)
38	004090	Foot (4 required)
39	007559	Screw (4 required)
40	026538 008821	Jar Support (<i>on units after 9/2002</i>) Jar Support
41	016650 016508 016978	Stamped Top Housing (<i>on units after 9/2002</i>) Top Housing HGQ200 Stamped Top Housing (Obsolete)
42	019935	Housing Seal
43	012703	Switch Seal (boot)
44	025664	Motor Spacer Plate



Wiring Diagram
(on Plastic Top Housing units after 5/2/2008)



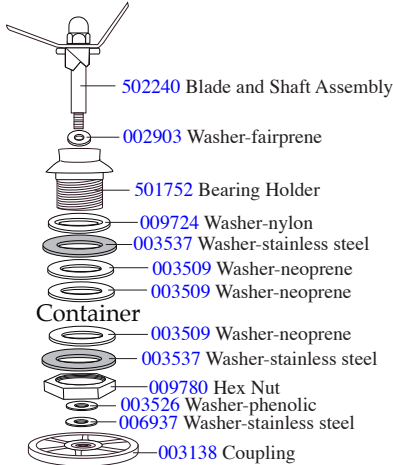
Wiring Diagram
(on Stainless Steel Top Housing units after 4/30/2008)

Catalog

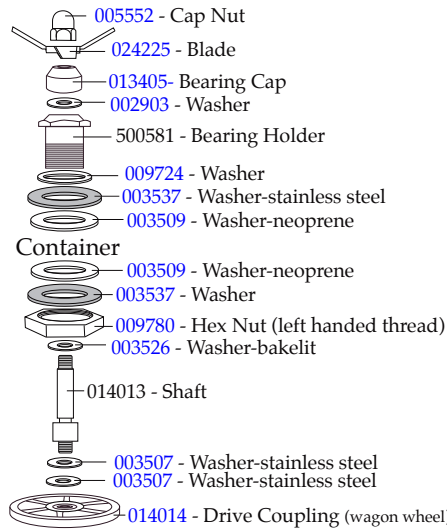
Model

HGB140	36BL24	HGBPBKP6	} (on units after 4/2010 - 8.5 amps)
HGB150	34BL92	HGBPBKS6	
HGBSS	36BL23	HGBSSSS6	} (on units after 12/2001 - 7.5 amps)
HGB13R	36BL36	(on units after 10/1999)	
HGBSP	36BL22	(on units after 10/1999)	
HGC140	36BL37	HGBPBKP6	} (on units after 12/2001)
HGC150	35BL49	HGBPBKS6	
HGCSS	36BL27	HGBSSSS6	
HGD140	37BL32	HGBPBKP6	
HGD150	37BL33	HGBPBKS6	
HGQ200	34BL75	(on units after 10/1999)	

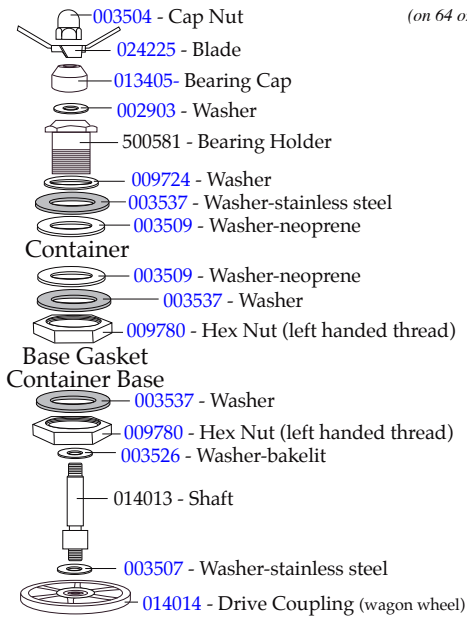
Waring Factory Service Center
 314 Ella T. Grasso Ave.
 Torrington, CT 06790
 Tele. 1-800-269-6640
 Fax 860-496-9017
 www.waringcommercialproducts.com



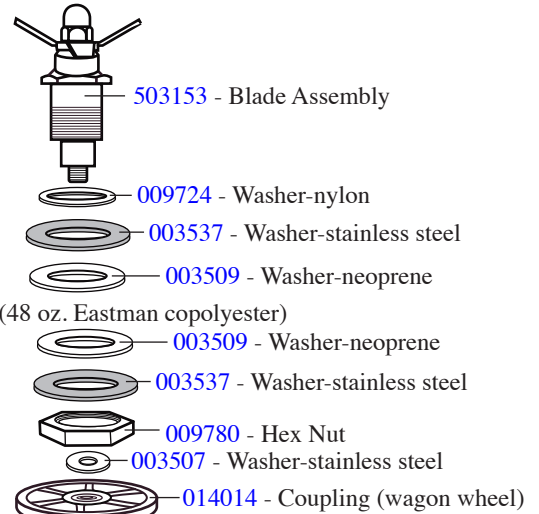
Blending Assembly
 (on 48 oz. Lexan Containers before 1/2002)
 Limited Availability on Parts



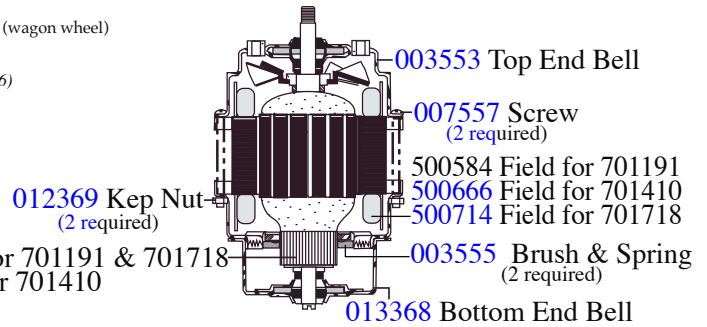
Blending Assembly
 (on 64 oz. Lexan Containers before 7/7/2006)
 Limited Availability on Parts



Blending Assembly
 (on Stainless Steel Containers before 7/7/2006)
 Limited Availability on Parts



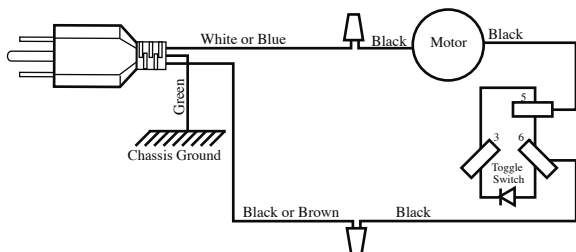
503173
 Blending Assembly



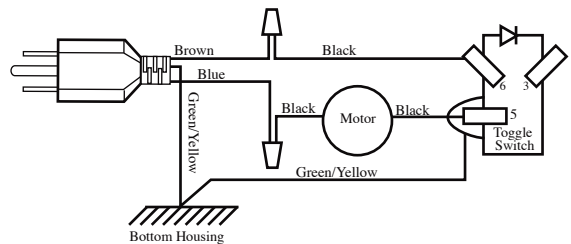
Motor No Longer Available
 (on units before 2000)
 Limited Availability on Some Parts

Parts No Longer Used

- 002436 - Ground Screw (2 required on units after 9/2002)
- 002943 - Ground Washer (2 required on units after 9/2002)
- 500455 - Black Lead with Diode-003262 (on units after 9/2002)



Wiring Diagram
 (on Stainless Steel Top Housing units before 4/30/2008)



Wiring Diagram
 (on Plastic Top Housing units before 5/2/2008)