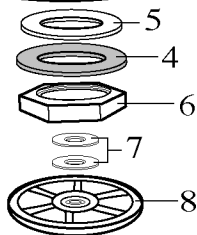
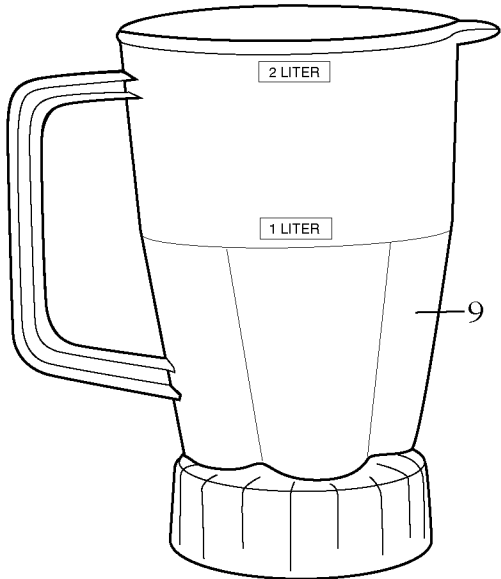
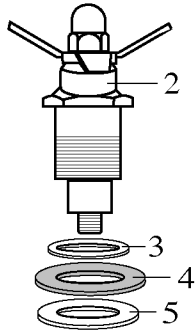


027142
2 Piece Lid
(for 64 oz. Lexan Container)



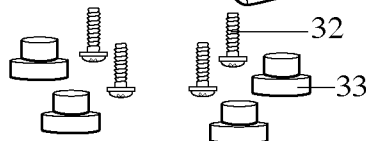
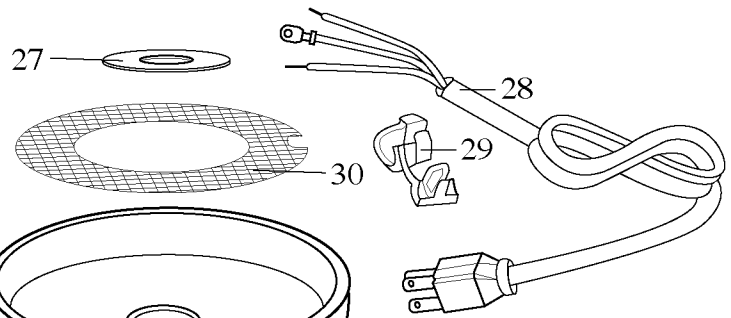
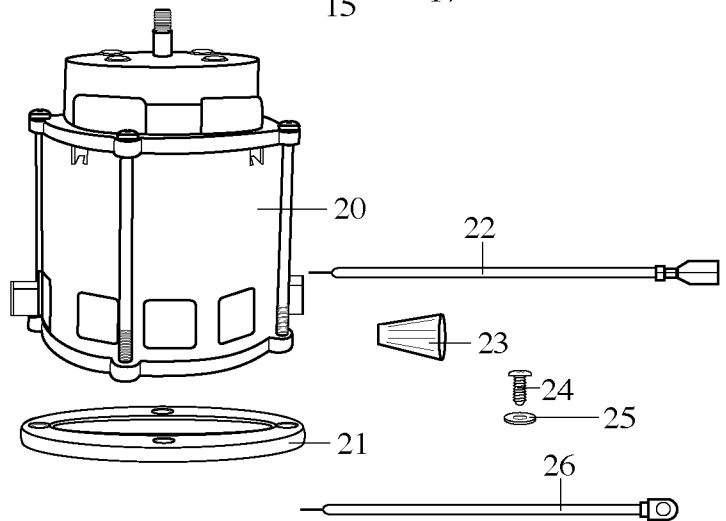
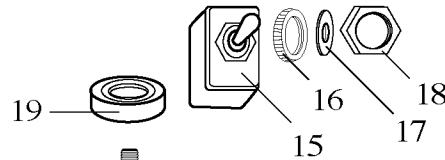
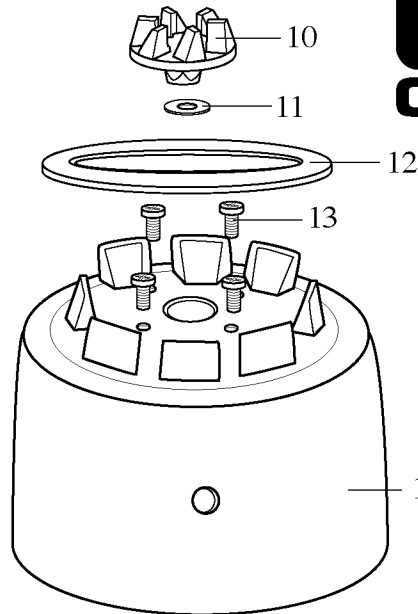
013304
NSF Sseal



503120
Blending Assy. Kit

502370 (older units)
Blending Assy.

503074 (current production) **501529** (older units)
64 oz. Lexan Container with
Blending Assy.



WARING
COMMERCIAL

HGB14R
Salsa Rita Blender

Unit Information

8.5 Amps - 1 1/2 HP (current production)
7.5 Amps - 1 HP (older units)



023272
Name Plate

Catalog	Old Model #	New Model #
HGB14R	39BL32	HGBPBK6

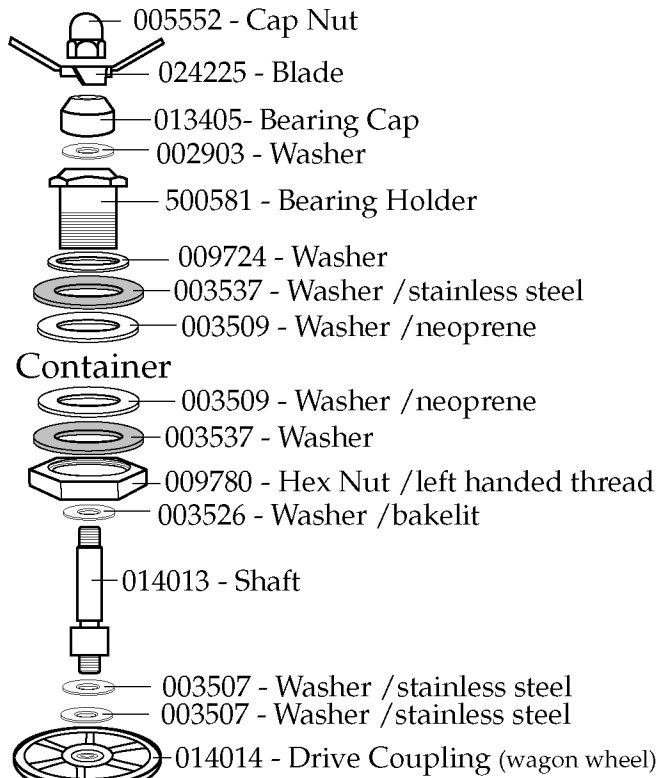
Waring Factory Service Center
 314 Ella T. Grasso Ave.
 Torrington, CT 06790
 Tele. 1-800-269-6640
 Fax 860-496-9017
 www.waringproducts.com

Illustration #	Part #	Description
1	011700	Center Lid
2	503065	Blade Assy.
3	009724	Washer /nylon
4	003537	Washer /stainless steel 2 Req.'d
5	003509	Washer /neoprene (rubber) 2 Req.'d
6	009780	Hex Nut
7	003507	Washer /stainless steel 2 Req.'d
8	014014	Coupling (wagon wheel)
9	016390	Jar /64 oz. lexan
10	018999	Drive Coupling
11	026413	Cap Washer (<i>current production</i>)
	003507	Washer (<i>older units</i>)
12	017777	Cushion Ring
13	007558	Screw 4 Req.'d
14	015377-09	Top Housing /black
15	019208	Toggle Switch /hi, off, pulse
16	014603	Locking Ring
17	014604	Washer /lint
18	016236	Hex Nut
19	019937	Housing Seal
20	028156	Motor (<i>current production</i>)
	025722	Motor (<i>older units</i>)
21	025662	Foam Baffle (<i>current production</i>)
	013365	Baffle (<i>older units</i>)
22	501999	Lead /black
23	009051	Wire Nut 2 Req.'d
24	002436	Screw
25	002943	Washer /lint
26	501658	Lead /green-yellow
27	008324	Gasket
28	003565	Cord Set (<i>current production</i>)
	500830	Cord Set (<i>older units</i>)

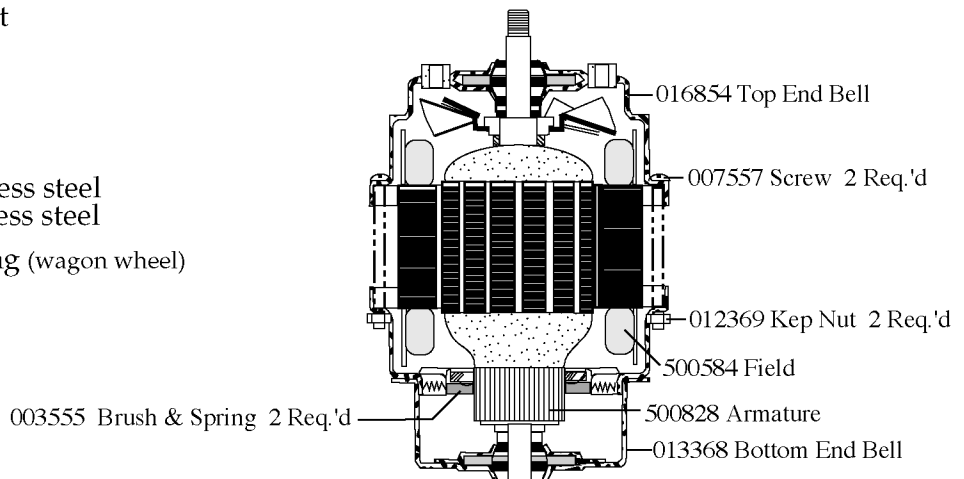
Catalog **Old Model #** **New Model #**
 HGB14R 39BL32 HGBPBKP6

Waring Factory Service Center
 314 Ella T. Grasso Ave.
 Torrington, CT 06790
 Tele. 1-800-269-6640
 Fax 860-496-9017
 www.waringproducts.com

Illustration #	Part #	Description
29	007556	Strain Relief
30	013963	Bottom Housing Screen (<i>current production</i>)
31	014012	Bottom Housing
32	017239	Sems 4 Req.'d
33	004090	Foot 4 Req.'d



502370
Blending Assy.
(older units)



Motor 701191 /no longer available
 Limited Availability of Parts

