

WARING COMMERCIAL®

Heavy Duty Blender with
48 oz. Container

HGB146

HGB147

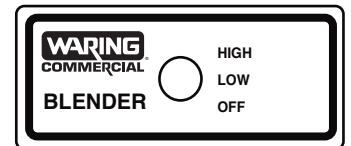
HGB146 with Extra Container
Old Units had a Juice Works Label

Unit Marked for Deletion

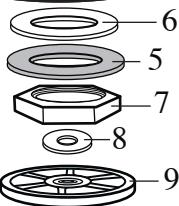
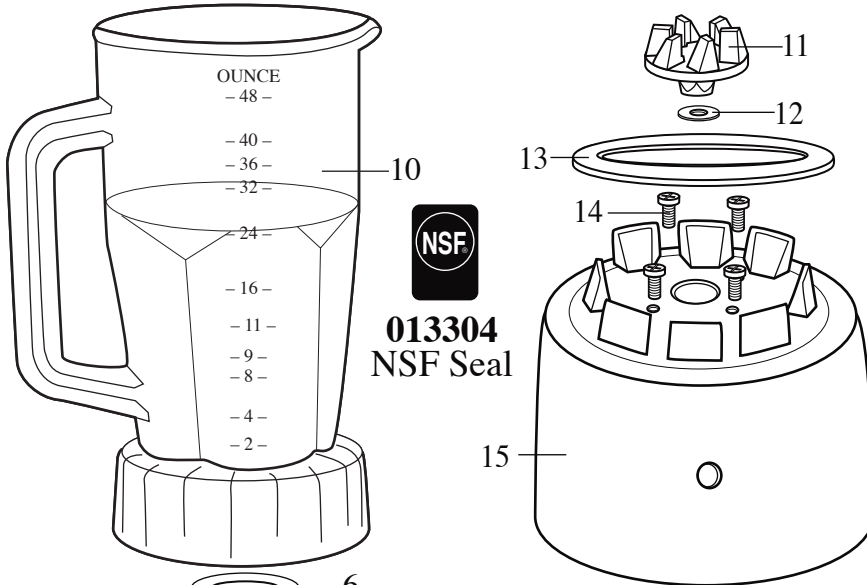
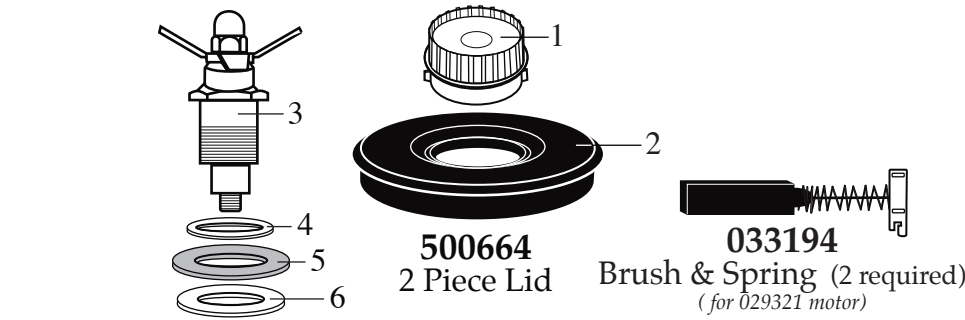
HGB14D (deleted on 10/22/2004)
HGB146 w/ Extra Container

Unit Information

8.5 Amps - 1 1/2 HP (029321, 503196 & 028156 motors)
7.5 Amps - 1 HP (701191 & 025722 motors)

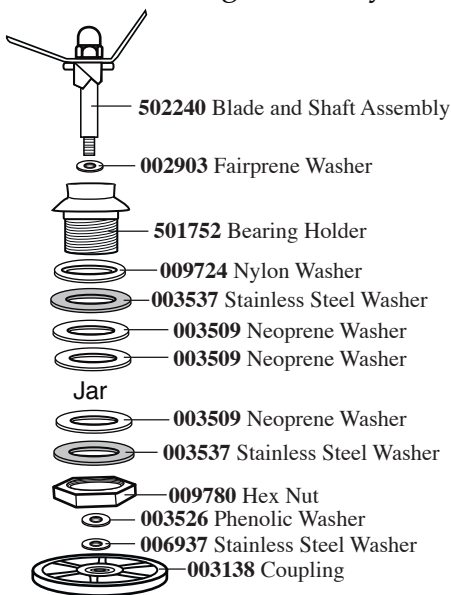


015394
Name Plate

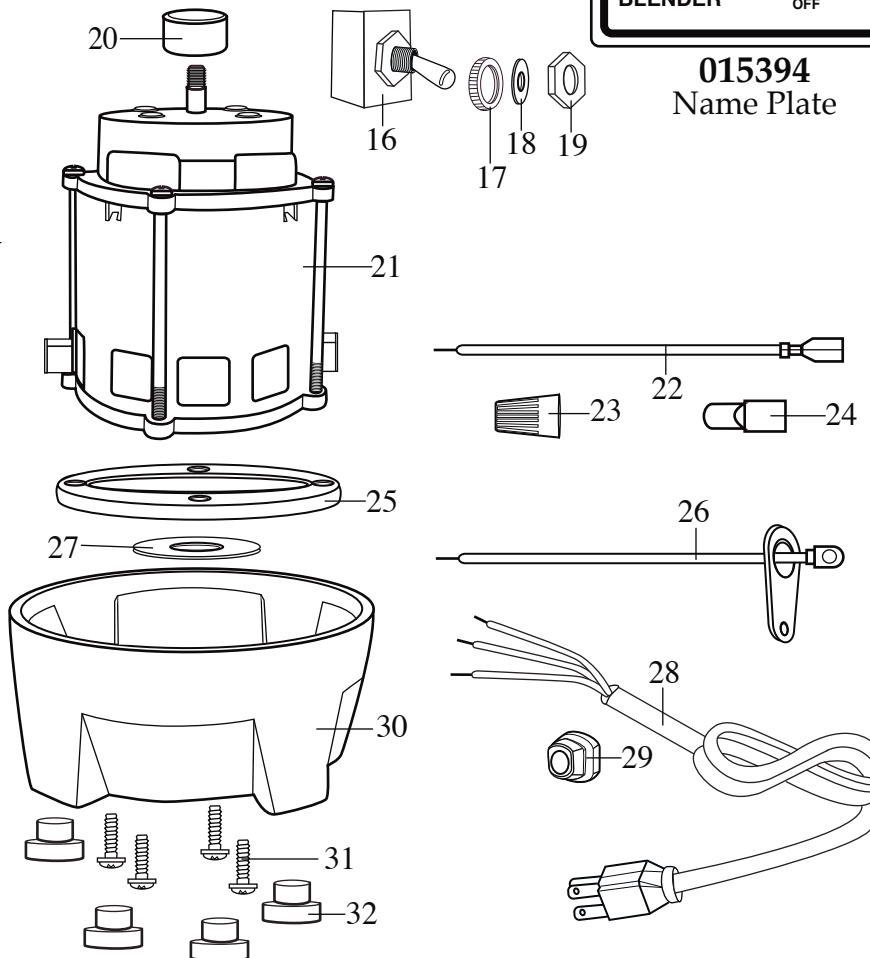


503154 (changed 7/10/2007)
Container with Blending Assembly

503173
Blending Assembly



Blending Assembly
(on units before 7/10/2007)
Limited Availability on Parts



| Catalog | Model | |
|---------|--|--------|
| HGB146 | HGBPBKP4 <i>(on units after 10/25/2005)</i> | 35BL47 |
| HGB147 | HGBPBKP4 <i>(on units after 6/5/2006)</i> | 39BL18 |
| HGB14D | | 35BL47 |


Waring Factory Service Center
 314 Ella T. Grasso Ave.
 Torrington, CT 06790
 Tele. 1-800-269-6640
 Fax 860-496-9017
www.waringcommercialproducts.com

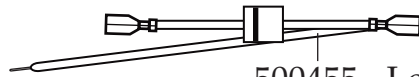
| Illustration # | Part # | Description |
|----------------|------------------|---|
| 1 | 011700 | Jar Lid Cover |
| 2 | 013442 | Jar Lid |
| 3 | 503153 | Blade Assembly |
| 4 | 009724 | Nylon Washer |
| 5 | 003537 | Stainless Steel Washer (2 required) |
| 6 | 003509 | Neoprene Washer (2 required) |
| 7 | 009780 | Hex Nut |
| 8 | 003507 | Stainless Steel Washer |
| 9 | 014014 | Coupling (wagon wheel) |
| 10 | 019560-E | 48 oz. Eastman Container <i>(changed 7/28/2010)</i> |
| 11 | 018999 | Drive Coupling (2 required) |
| 12 | 026413 003507 | Washer Cap Washer <i>(on units before 7/1/2002)</i> |
| 13 | 017777 | Cushion Ring |
| 14 | 007558 | Screw (4 required) |
| 15 | 015377-09 | Black Top Housing |
| 16 | 029355 012698 | Toggle Switch Toggle Switch <i>(on units before 7/16/2004)</i> |
| 17 | 014603 | Locking Ring |
| 18 | 014604 | Lint Steel Washer |
| 19 | 016236 | Hex Nut |
| 20 | 019937 | Housing Seal |
| 21 | 029321 | Motor |
| 22 | 501232 | White Lead <i>(on units after 7/2/2002)</i> |
| 23 | 009051 | Wire Nut (2 required) |
| 24 | 012409 | Crimp Connector <i>(on units after 4/9/2008)</i> |
| 25 | 025662 | Foam Baffle <i>(changed 12/1/2001)</i> |
| 26 | 503195 501658 | Green-Yellow Lead with 017047-solder lug Green-Yellow Lead <i>(on units before 10/28/2008)</i> |
| 27 | 008324 | Gasket |

| Catalog | Model | |
|---------|---|--------|
| HGB146 | HGBPBK4 <i>(on units after 10/25/2005)</i> | 35BL47 |
| HGB147 | HGBPBK4 <i>(on units after 6/5/2006)</i> | 39BL18 |
| HGB14D | | 35BL47 |

Waring Factory Service Center
 314 Ella T. Grasso Ave.
 Torrington, CT 06790
 Tele. 1-800-269-6640
 Fax 860-496-9017
 www.waringcommercialproducts.com

| Illustration # | Part # | Description |
|----------------|----------|--|
| 28 | 029309 | Cord Set <i>(on units after 4/9/2008)</i> |
| | 003565 | Cord Set <i>(on units after 9/27/2002)</i> |
| | 501162 | Cord Set <i>(on units after 7/2/2002)</i> |
| | 500830 | Cord Set <i>(on units before 7/3/2002)</i> |
| 29 | 012920 | Strain Relief |
| | 007556 | Strain Relief <i>(on units before 10/28/2008)</i> |
| 30 | 028591-X | Bottom Housing |
| | 014012 | Bottom Housing <i>(on units before 10/28/2008)</i> |
| 31 | 017239 | Sems (4 required) |
| 32 | 004090 | Foot (4 required) |

Parts No Longer Used



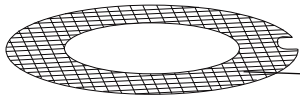
500455 - Lead Assy. black with 003262 - diode *(on units before 9/26/2002)*



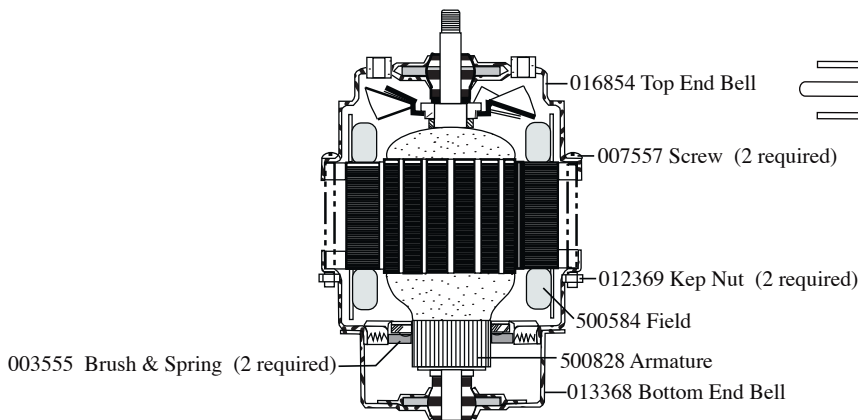
002436 - Screw *(on units before 10/28/2008)*



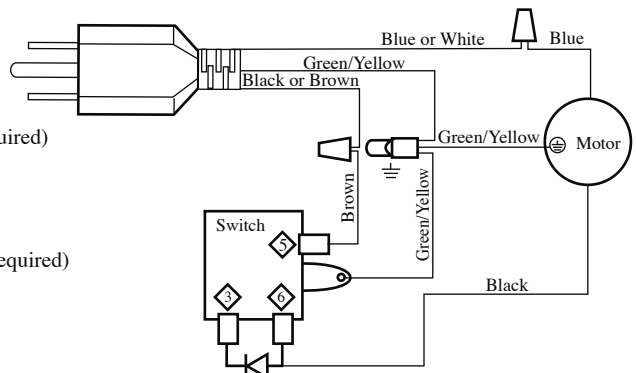
002943 - Washer *(on units before 10/28/2008)*



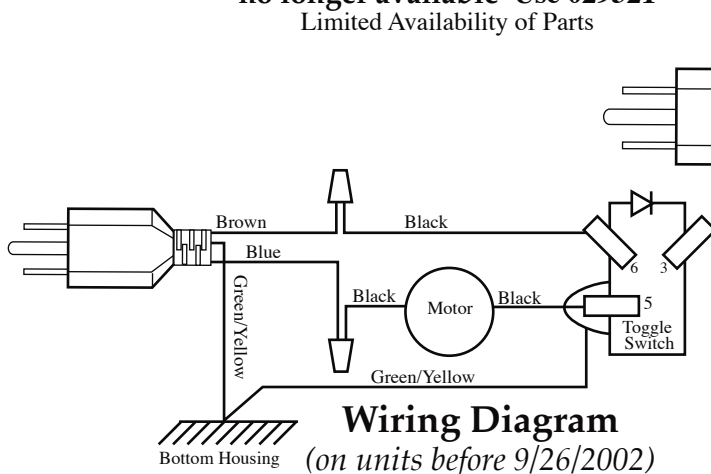
013963 - Bottom Housing Screen *(on units before 10/28/2008)*



Motor 701191 *(used on units before 7/1/2002)*
no longer available Use 029321
 Limited Availability of Parts

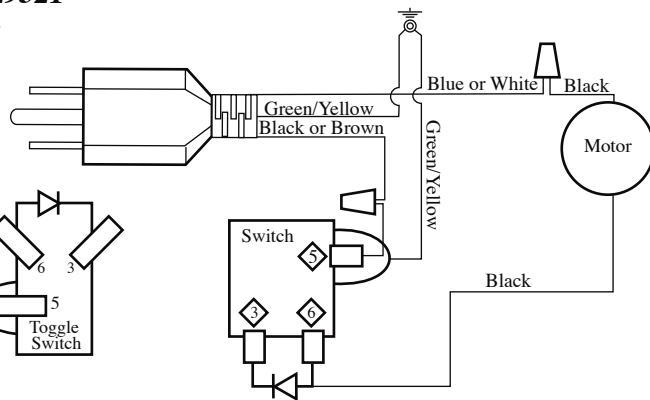


Wiring Diagram
(on units after 4/9/2008)



Wiring Diagram

(on units before 9/26/2002)



Wiring Diagram

(on units after 7/2/2002)