

WARING COMMERCIAL

DMC280CFA

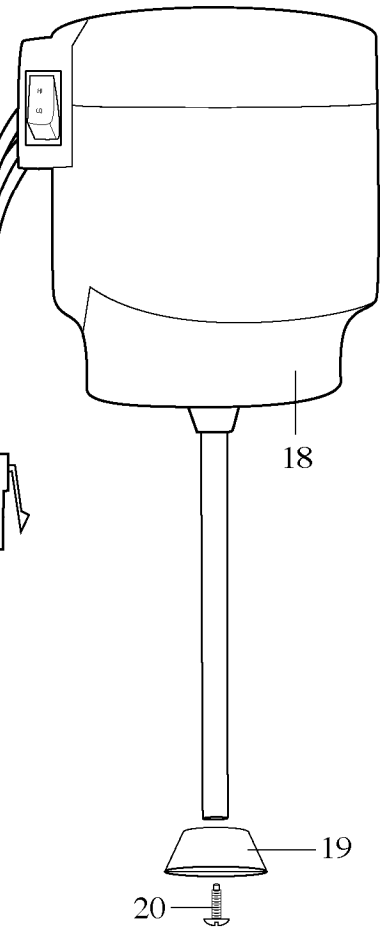
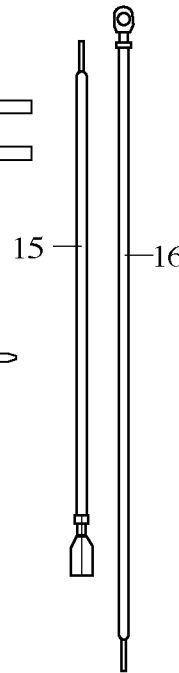
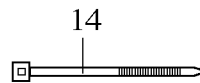
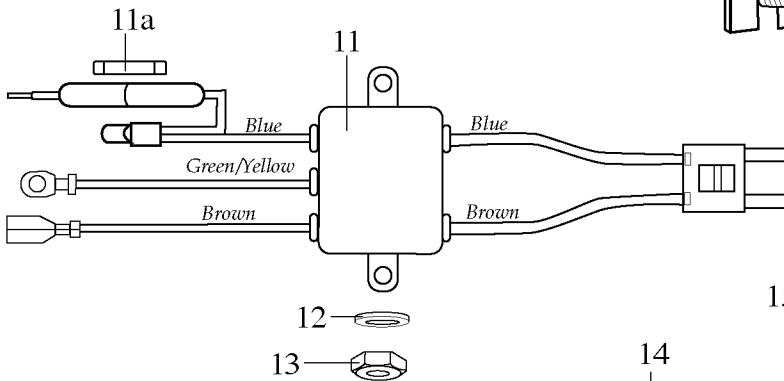
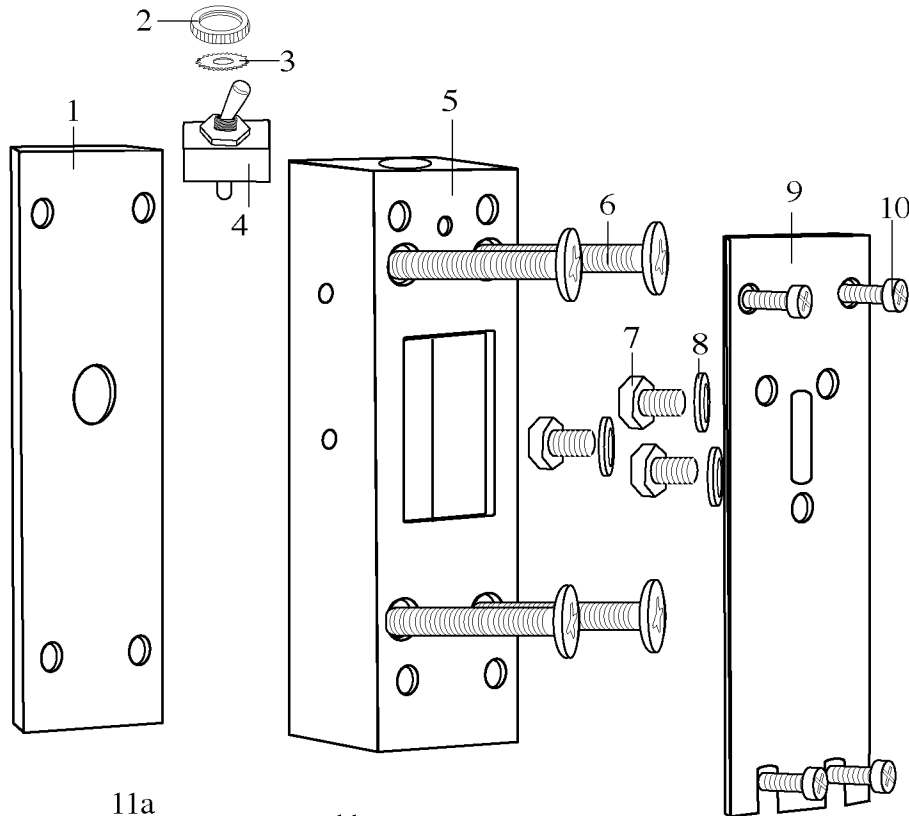
Wall Mount Drink Mixer for Chick-Fill-A

Unit Information

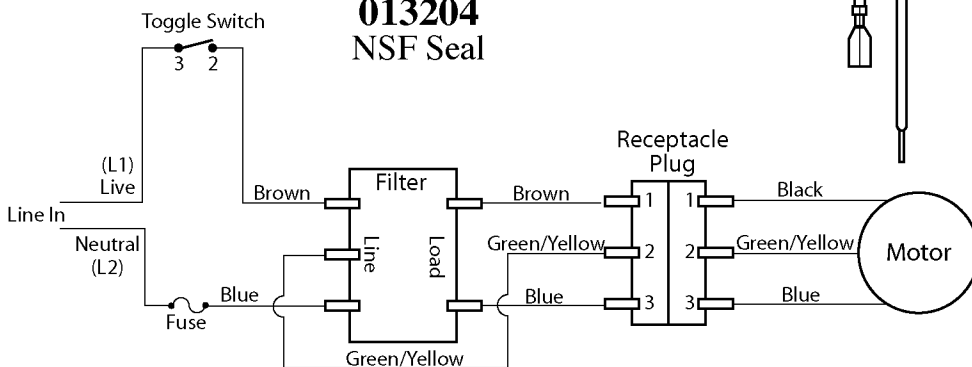
.05 Amps.
208/230 volts
2 Speed
Cone Shaped Agitator



015526
Name Plate



013204
NSF Seal



Wiring Diagram

Illustration#	Part#	Description
1	028146	Mounting Plate
2	015098	Ring Nut
3	014604	Washer
4	026825	Toggle Switch
5	028053	Drink Mixer Body w/ pem studs
6	024585	Screw 4 Req.'d
7	028155	Screw 3 Req.'d
8	003344	Washer 3 Req.'d
9	028059	Mounting Plate
10	028061	Screw 4 Req.'d
11	503043	Filter Assembly /comes with fuse holder & fuse
11a	028256	Fuse /1.5 amp. slo-blo
12	002943	Washer 3 Req.'d
13	002944	Hex Nut 3 Req.'d
14	013731	Cable Tie 1 Req.'d
15	503047	Brown Lead Assembly
16	503046	Green/Yellow Lead Assembly 9"
17	025322	Rocker Switch Boot
18	503059	Motor and Terminal Assembly
19	028091	Cone Agitator
20	016384	Screw