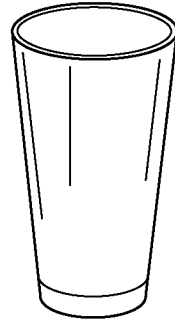
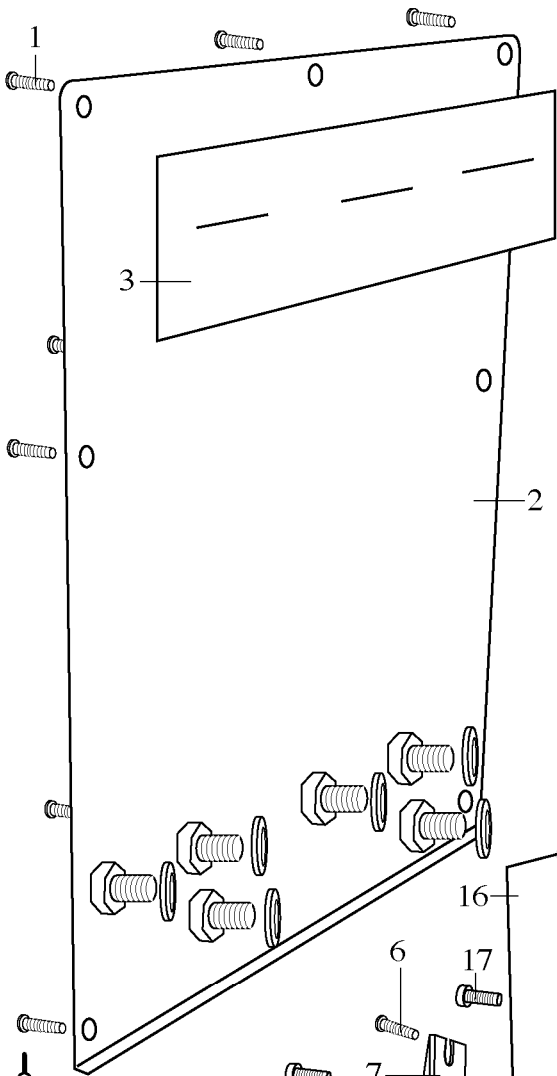


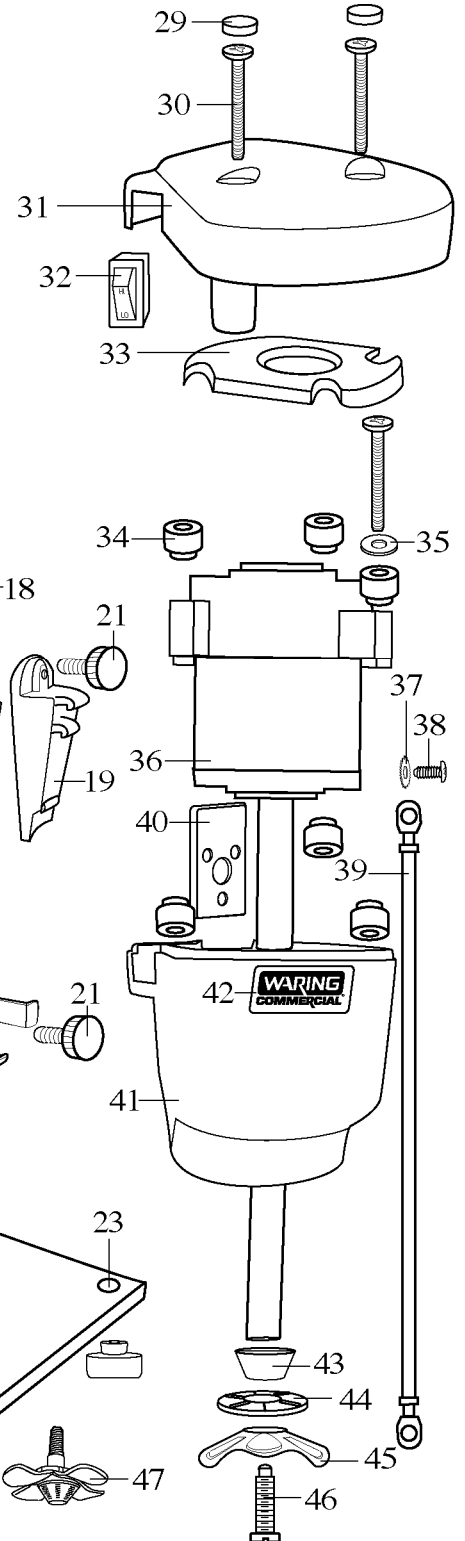
WARING COMMERCIAL

DMC207

This Unit Is No Longer In Production



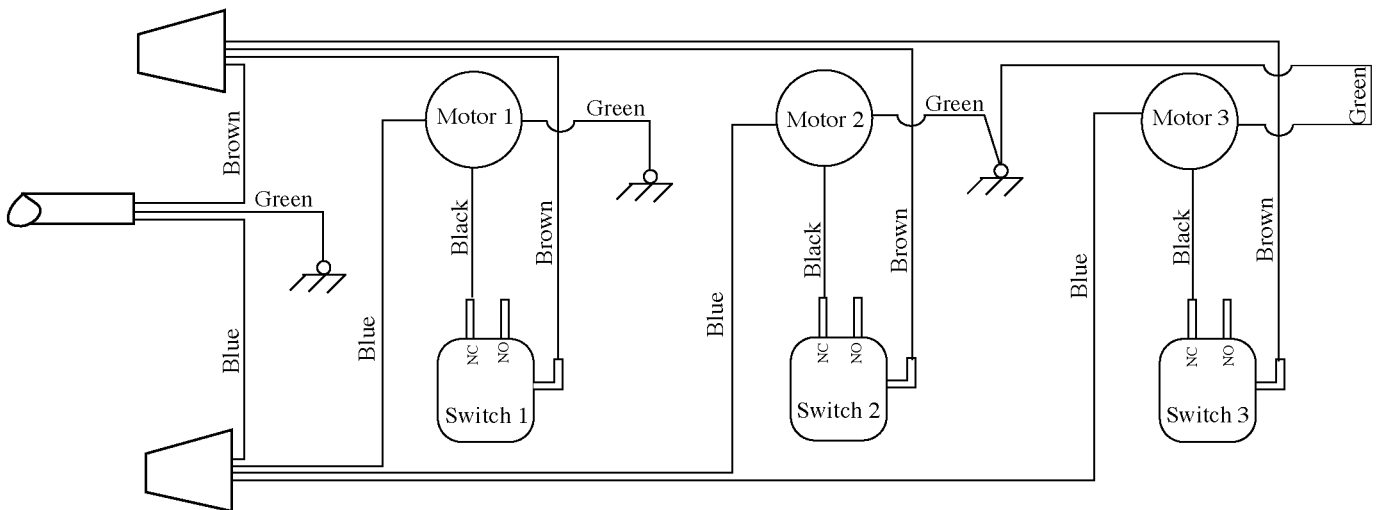
017440 /CAC20
Container (optional)



502648 Motor & Housing Assy.
3 Req.'d

Illustration#	Part#	Description
1	016562	Screw 7 Req.'d
2	016380	Rear Panel
3	016194	Insulator
4	017930	Screw 9 Req.'d
5	003344	Washer 9 Req.'d
6	016562	Screw 6 Req.'d
7	501849	Switch Assy. 3 Req.'d
8	013612	Spring 3 Req.'d
9	016562	Screw 3 Req.'d
10	002943	Washer 3 Req.'d
11	501571	Brown Lead 3 Req.'d
12	016567	Wire Nut 2 Req.'d
13	013731	Cable Tie
14	501570	Cord Set
15	007556	Strain Relief
16	017214	Frame /coated
17	018487	Screw
18	018486	Front Panel
19	018493	Switch Actuator (cup holder)
20	018490	Switch Back Plate
21	013918	Screw
22	018509	Container Support
23	014980	Stud 2 Req.'d
24	016569	Front Foot 2 Req.'d
25	016568	Rear Foot 2 Req.'d
26	013649	Wire Clip 2 Req.'d
27	015481	Rivet 2 Req.'d
28	014229	Stabilizer
29	016094	Hole Plug 2 Req.'d
30	012729	Screw 3 Req.'d
31	017488	Motor Cover

Illustration#	Part#	Description
32	017510	Rocker Switch
33	017508	Baffle
34	013603	Vibration Dampener 6 Req.'d
35	013604	Washer
36	502648	Motor & Housing Assy. <i>Motor Only No Longer Available</i>
37	002943	Washer
38	013659	Screw
39	501738	Lead/green
40	017509	Mounting Plate
41	017487	Motor Housing
42	015526	Name Plate
43	013630	Shaft Collar
44	013654	Splash Guard Disc
45	003011	Agitator Disc
46	016384	Screw



Wiring Diagram