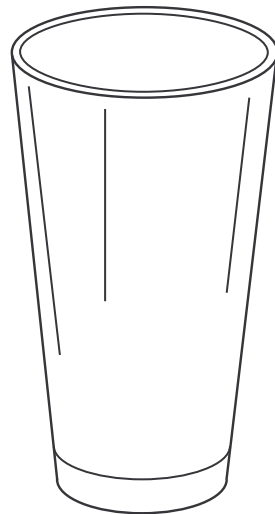
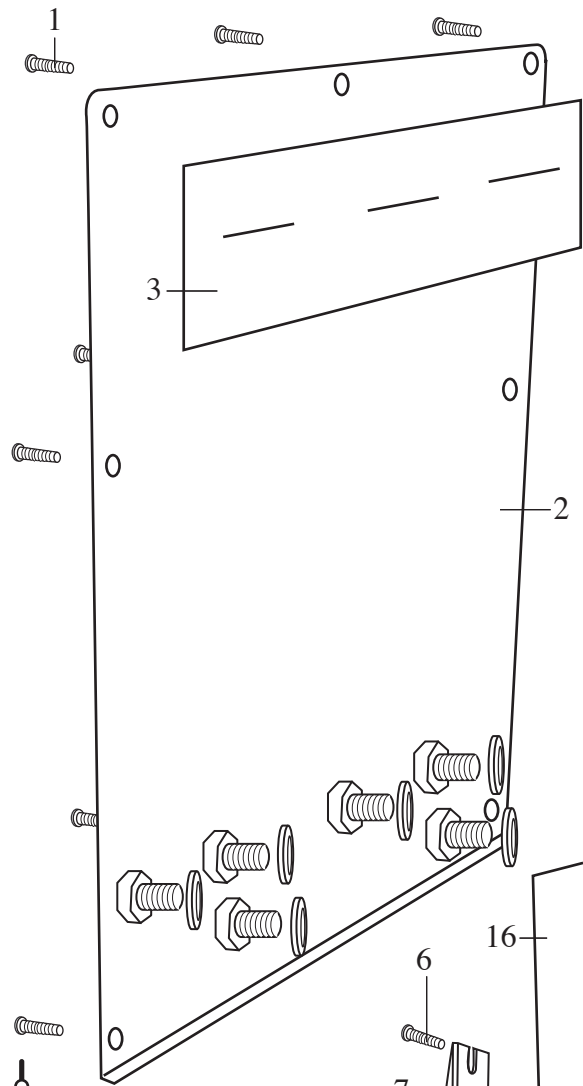
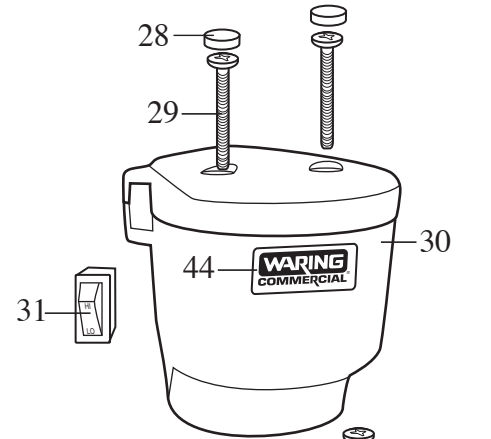
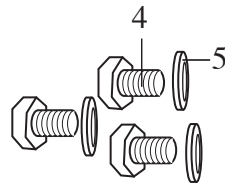


WARING COMMERCIAL®

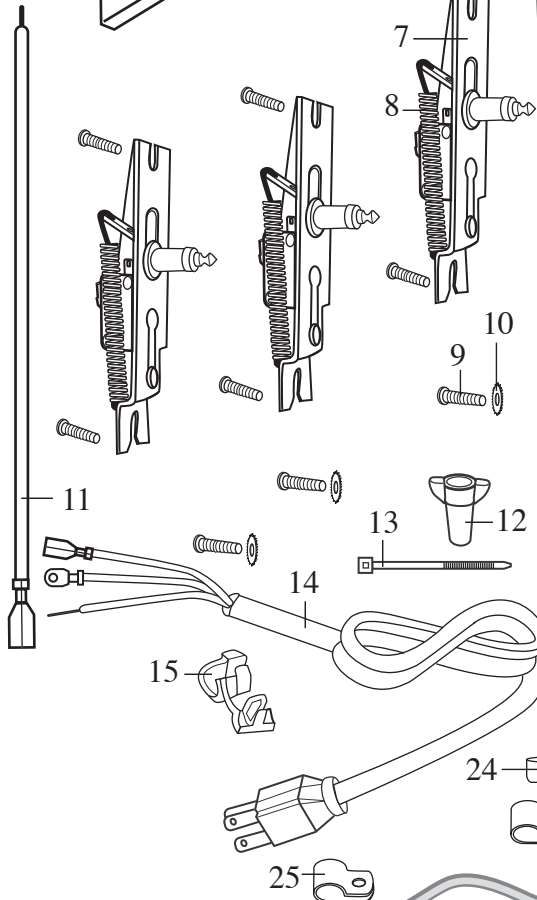
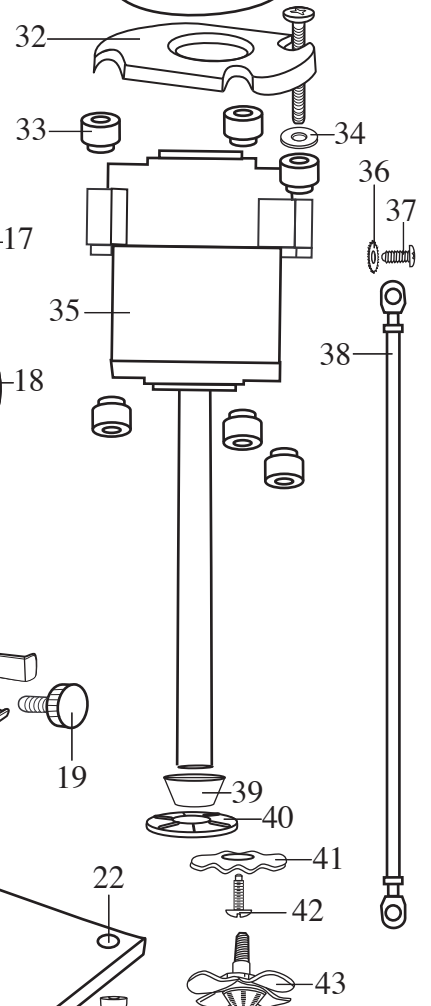
DMC201SS /Steak N' Shake



017440
Container
(optional)



502605
Motor & Housing Assy.
(mixer head)
3 Req.'d



Catalog #
DMC201SS

Model #
32DM16

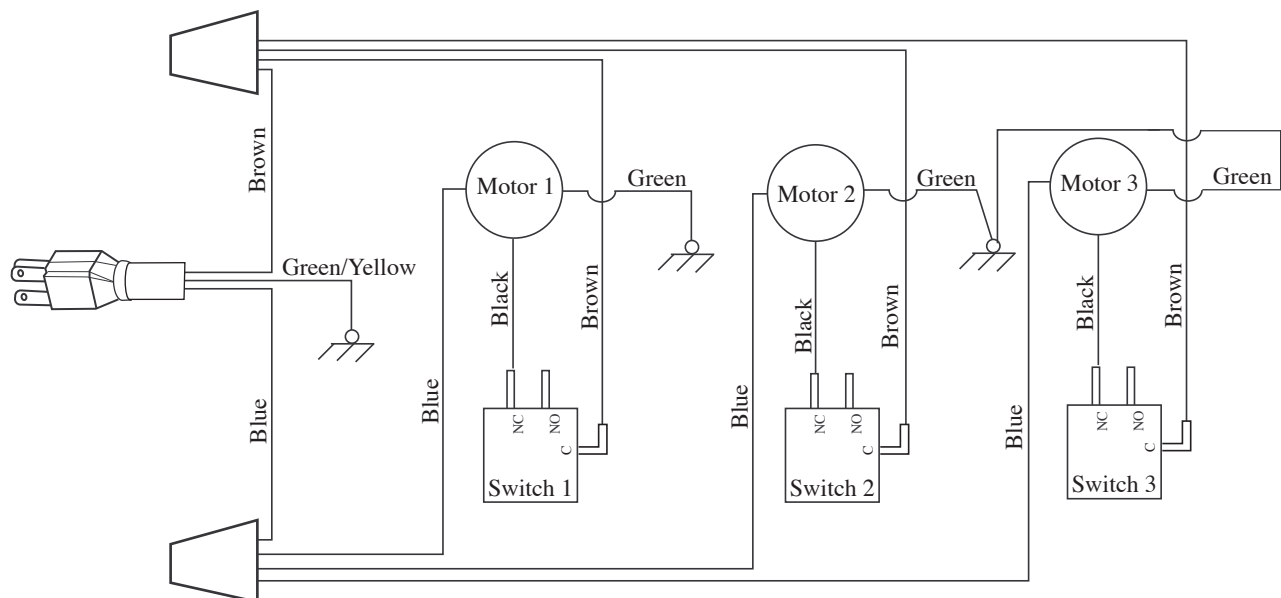


Illustration #	Part #	Description
1	016562	Screw 7 Req.'d
2	016380	Rear Panel
3	016194	Insulator
4	017930	Screw 9 Req.'d
5	003344	Washer 9 Req.'d
6	016562	Screw 6 Req.'d
7	502335	Switch & Bracket Assy. 3 Req.'d
8	013612	Switch Return Spring 3 Req.'d
9	016562	Screw 3 Req.'d
10	002943	Washer 3 Req.'d
11	501571	Lead - brown 3 Req.'d
12	016567	Wire Nut 2 Req.'d
13	013731	Cable Tie 2 Req.'d
14	501570	Cord Set
15	007556	Strain Relief
16	017124	Stand
17	017851	Front Panel
18	026720	Knob 3 Req.'d (<i>current production</i>)
19	013918	Container Support Screw 3 Req.'d
20	015551	Container Support 3 Req.'d
21	013304	NSF Seal
22	014980	Stud 2 Req.'d
23	016569	Foot 2 Req.'d
24	016568	Foot 2 Req.'d
25	013649	Clamp 2 Req.'d
26	015481	Rivet 2 Req.'d
27	014229	Stabilizer
28	016094	Hole Plug 2 Req.'d (part of motor & housing assy.)
29	012729	Screw 3 Req.'d (part of motor & housing assy.)
30	503162	Housing Assy./motor cover, mounting plate & motor hsg.
31	017510	Rocker Switch (part of motor & housing assy.)

Illustration #	Part #	Description
32	017508	Baffle (part of motor & housing assy.)
33	013603	Vibration Dampener 6 Req.'d (part of motor & housing assy.)
34	013604	Washer /steel (part of motor & housing assy.)
35	025255	Motor (part of motor & housing assy.) /no splash guard or agitator
36	002943	Washer (part of motor & housing assy.)
37	013659	Screw (part of motor & housing assy.)
38	501738	Lead - green/yellow
39	013630	Collar (part of motor & housing assy.)
40	013654	Splash Guard Disc (part of motor & housing assy.)
41	016599	Disk Agitator (part of motor & housing assy.)
42	016384	Screw (part of motor & housing assy.)
43	500669	Butterfly Agitator
44	015526	Name Plate

Items Not Shown

025628 - Brush 2 Req.'d



Wiring Diagram