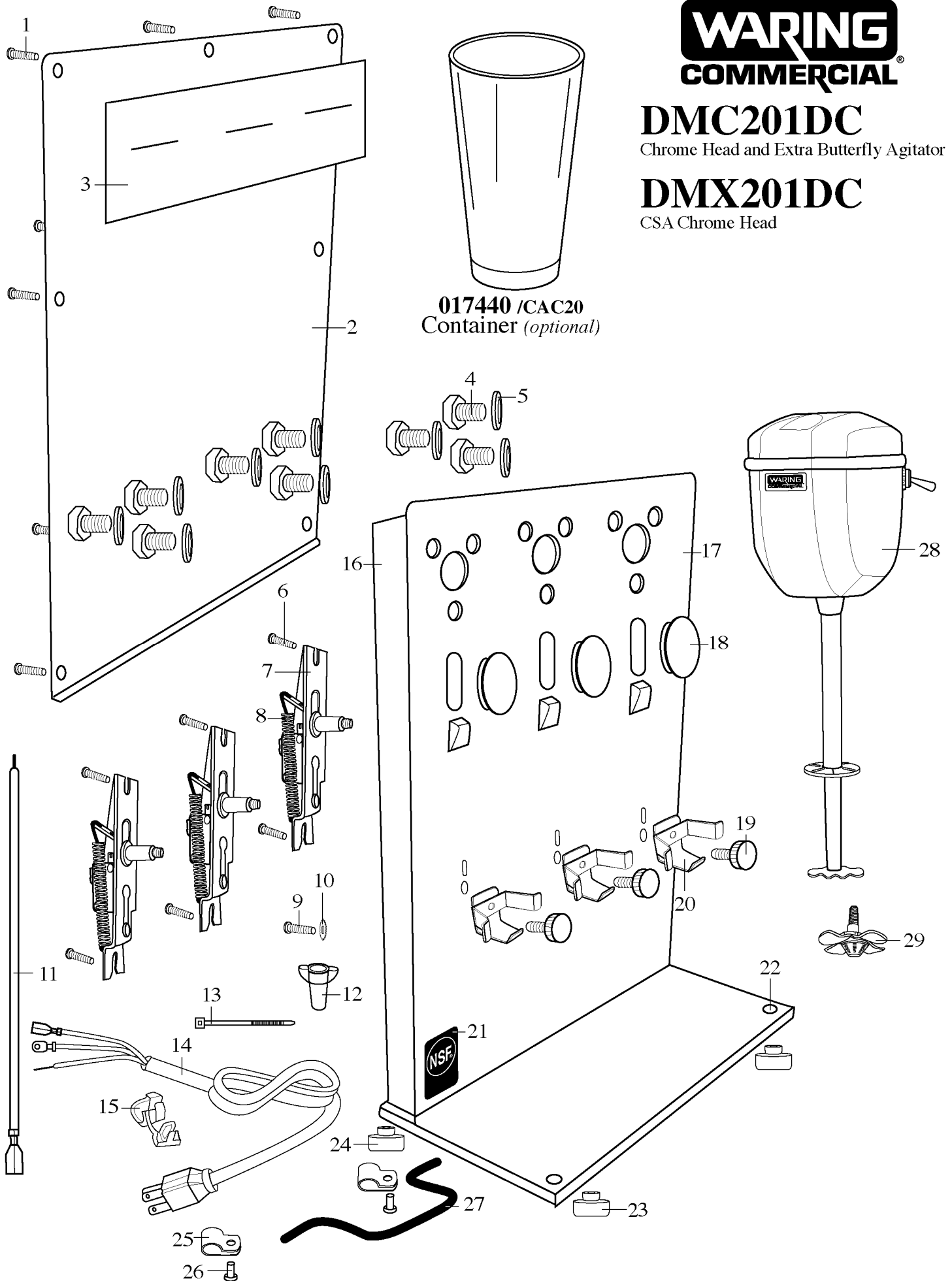


WARING
COMMERCIAL

DMC201DC
Chrome Head and Extra Butterfly Agitator

DMX201DC
CSA Chrome Head

017440 /CAC20
Container (optional)



Catalog	Model
DMC201DC	32DM16 (DMC201DC)
DMX201DC	DMX201*



Illustration #	Part #	Description
1	016562	Screw 7 Req.'d
2	016380	Rear Panel
3	016194	Insulator
4	017930	Screw 9 Req.'d
5	003344	Washer 9 Req.'d
6	016562	Screw 6 Req.'d
7	502335	Switch & Bracket Assy. 3 Req.'d
8	013612	Switch Return Spring 3 Req.'d
9	016562	Screw
10	002943	Washer
11	501571	Lead - brown /DMC201DC 3 Req.'d
	501321	Lead - brown /DMX201DC 3 Req.'d
12	016567	Wire Nut /DMC201DC 2 Req.'d
	009051	Wire Nut /DMX201DC 3 Req.'d
13	013731	Cable Tie 2 Req.'d DMC201DC, 4 Req.'d DMX201DC
14	501570	Cord Set /DMC201DC
	501317	Cord Set /DMX201DC
15	007556	Strain Relief
16	017124	Stand /DMC201DC
	017125	Stand /DMX201DC
17	017851	Front Panel
18	026720	Knob-snap on 3 Req.'d
19	013918	Container Support Screw 3 Req.'d
20	015551	Container Support 3 Req.'d
21	013304	NSF Seal /DMC201C
22	014980	Stud 2 Req.'d
23	016569	Foot 2 Req.'d
24	016568	Foot 2 Req.'d
25	013649	Clamp 2 Req.'d
26	015481	Rivet 2 Req.'d
27	014229	Stabilizer

Catalog

DMC201DC
DMX201DC

Model

32DM16 (DMC201DC)
DMX201*



Illustration #

Part #

Description

28	027691	Motor /chrome 3 Req.'d (comes with 016599 disk agitator & 016384 screw)
29	500669	Butterfly Agitator 3 Req.'d

DMX201DC Items Not Shown

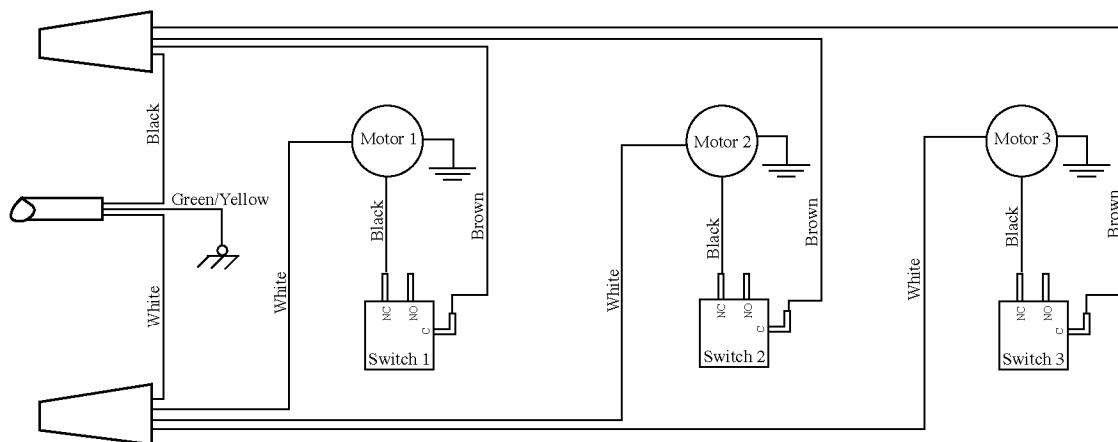
015482 - Terminal Block

015483 - Lead /blue

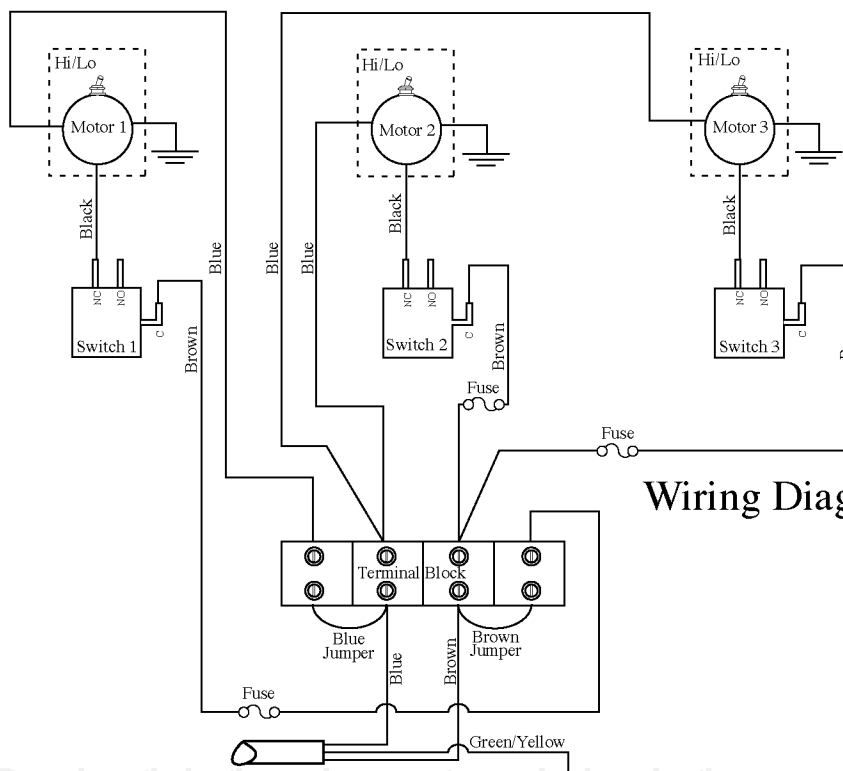
015484 - Lead /brown

502706 - Fuse Assy. 3 Req.'d

016330 - Insulation Sleeve 3 Req.'d



Wiring Diagram DMC201DC



Wiring Diagram DMX201DC