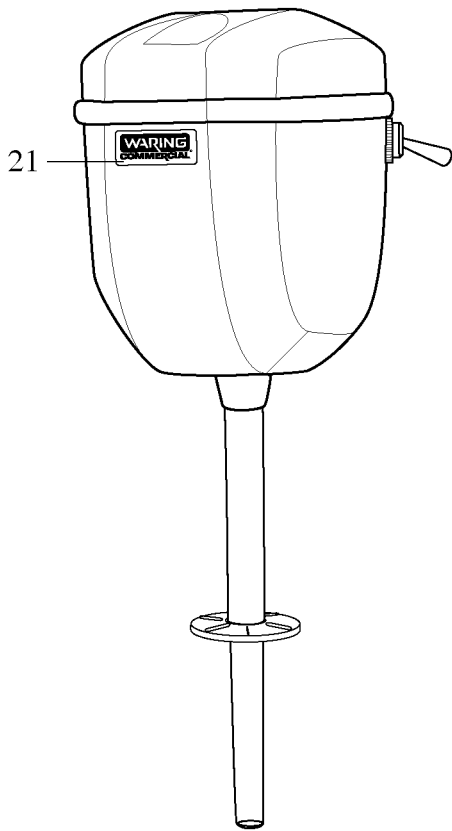


WARING COMMERCIAL

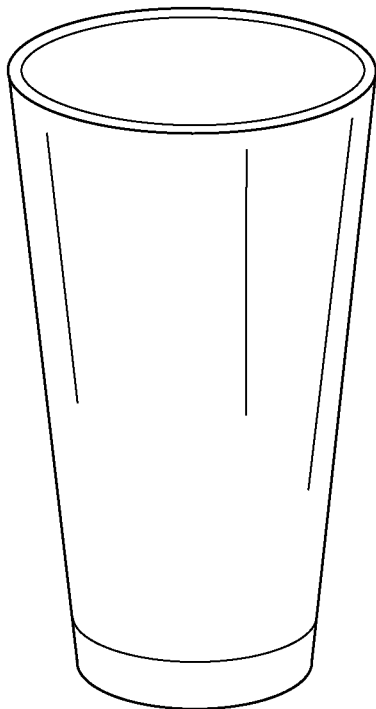
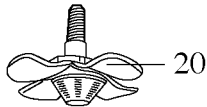
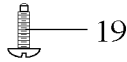
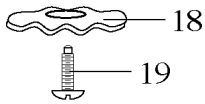
DMC160 /Wall Mount

DMC260 /240 Volt Wall Mount

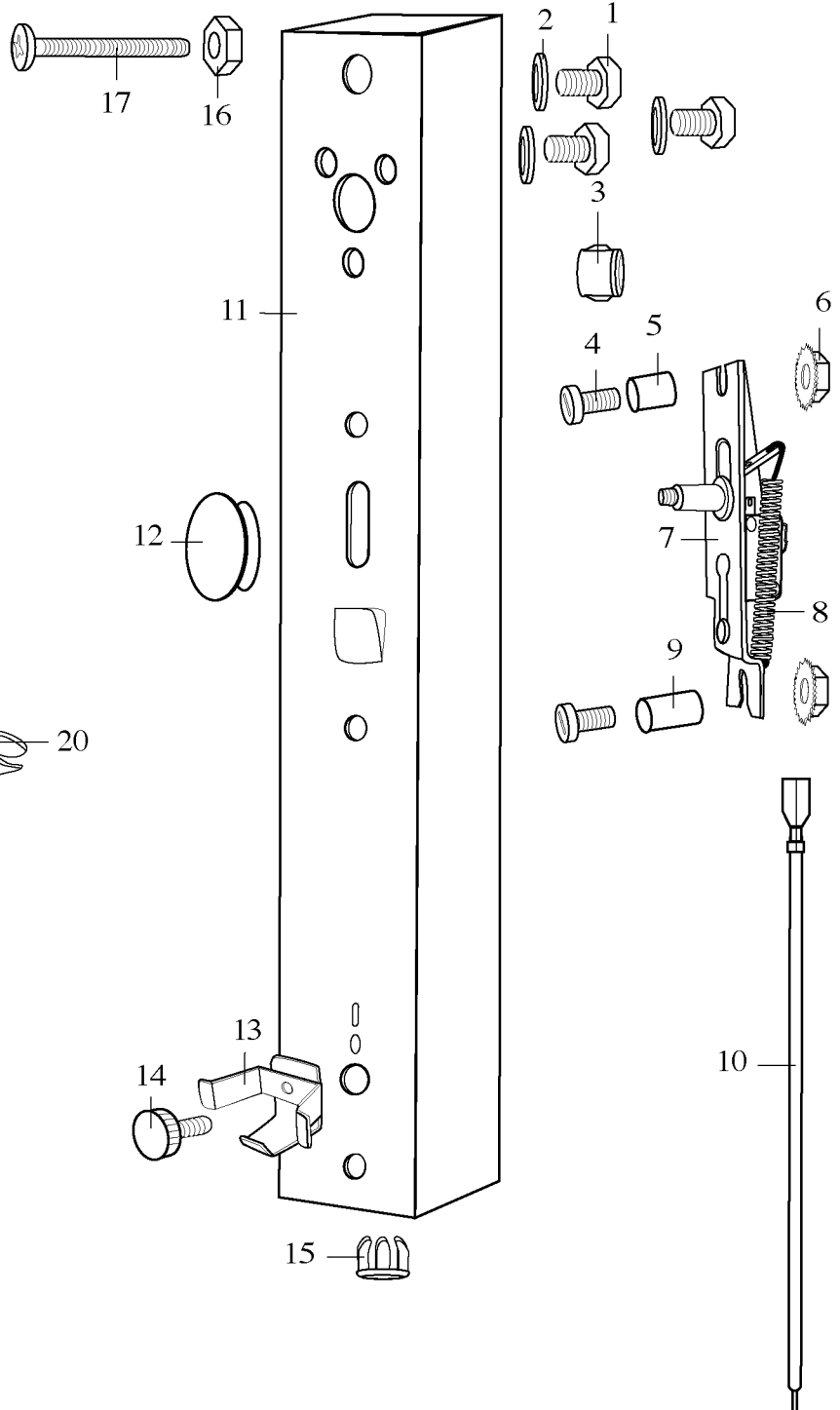
These Units Are No Longer In Production



702772 no longer available
702911 no longer available
Chrome Mixer Head



017440 /CAC20
Container (optional)



Catalog#
DMC160
DMC260

Model
31DM56
31DM62



Illustration #	Part #	Description
1	015434	Screw 3 Req.'d
2	003344	Lock Washer 3 Req.'d
3	015644	Snap Bushing 2 Req.'d
4	016179	Screw 2 Req.'d
5	016182	Spacer /short
6	002881	Kep Nut 2 Req.'d
7	501356	Switch Assy.
8	013612	Spring
9	016181	Spacer /long
10	501497	Lead Assy.
11	501496	Body Assy.
12	501709	Knob
13	015551	Support
14	013918	Screw
15	015444	Hole Plug
16	016189	Hex Nut 2 Req.'d
17	016183	Screw 2 Req.'d
18	016599	Agitator
19	016384	Screw
20	500669	Butterfly Agitator
21	015526	Name Plate

Wiring Diagram

