

WARING COMMERCIAL®

One Gallon Blenders

CB15 CB15S

CB15 with Hot Blending Lid

Marked for Deletion

CB15DB (on 8/28/2012)

CB15 with BB150DW

CBC15 (on 4/1/2005)

Calico Label

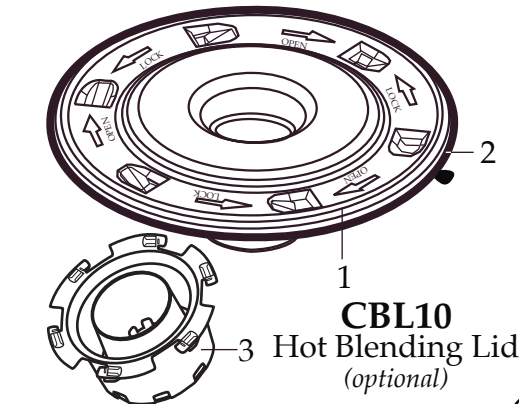
Unit Information

15.0 Amps. – 3.75 HP

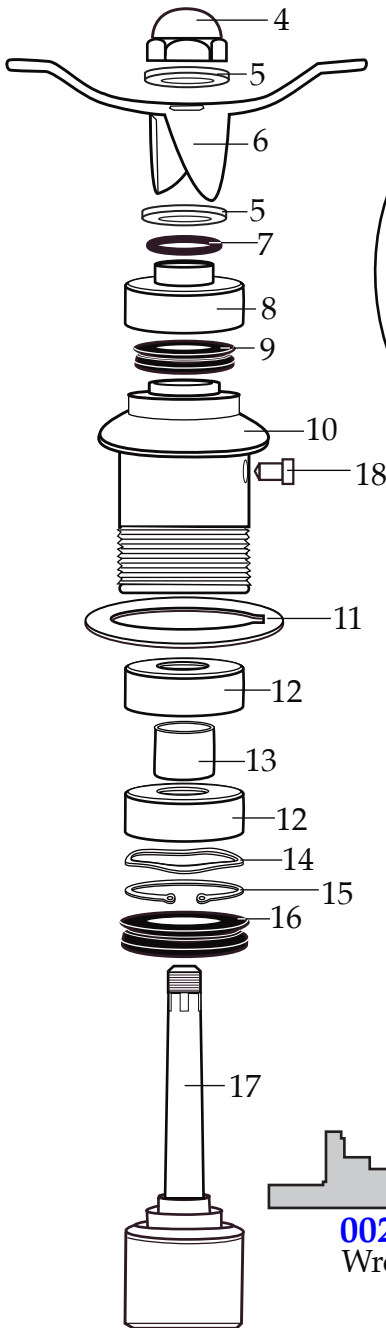
3 Year Limited Motor Warranty
2 Year Limited Warranty

Electronic Membrane Keypad

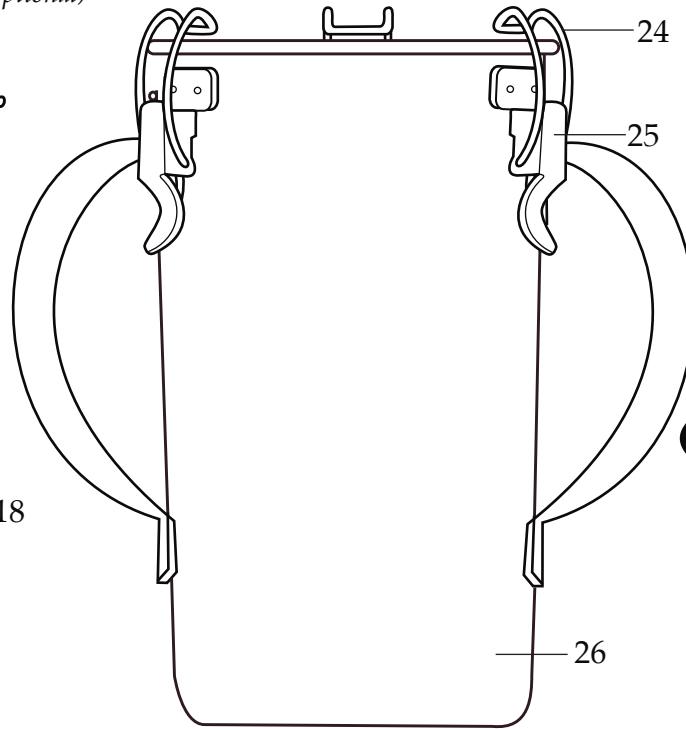
Slow Start™ Blending Mechanism



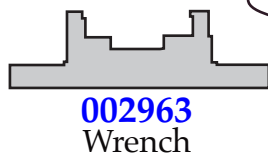
CBL10
Hot Blending Lid
(optional)



502977
(changed after 2/24/2006)
Blending Assembly
(replaces 502493 & 502975)



013304
NSF Seal

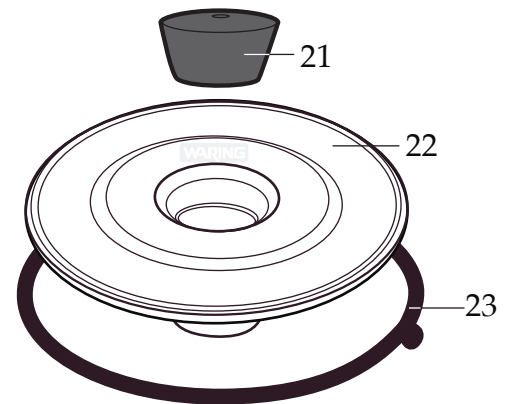
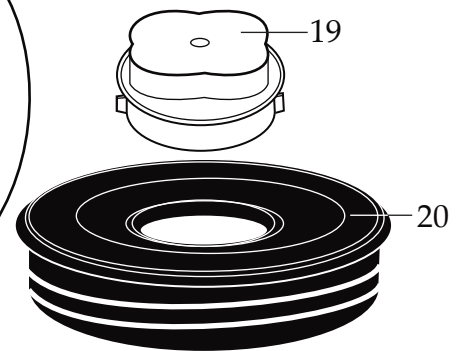


002963
Wrench

502235 - Container with Blending Assembly

704587 - Container Complete with Lid

704350 - Container Complete with Stainless Steel Lid



CB15-CB15DB-CB15S
(on units before 10/9/2006)

502493

Blending Assembly
(on units before 9/24/2004)

Different From New Assembly
(limited quantities available)

018397 - Washer

018388 - O Ring

023903 - Bearing Cap



026626 Name Plate / Don



026639 Name Plate / Calico

WARING COMMERCIAL®

Base Unit Components

CB15 CB15S

CB15 with Hot Blending Lid

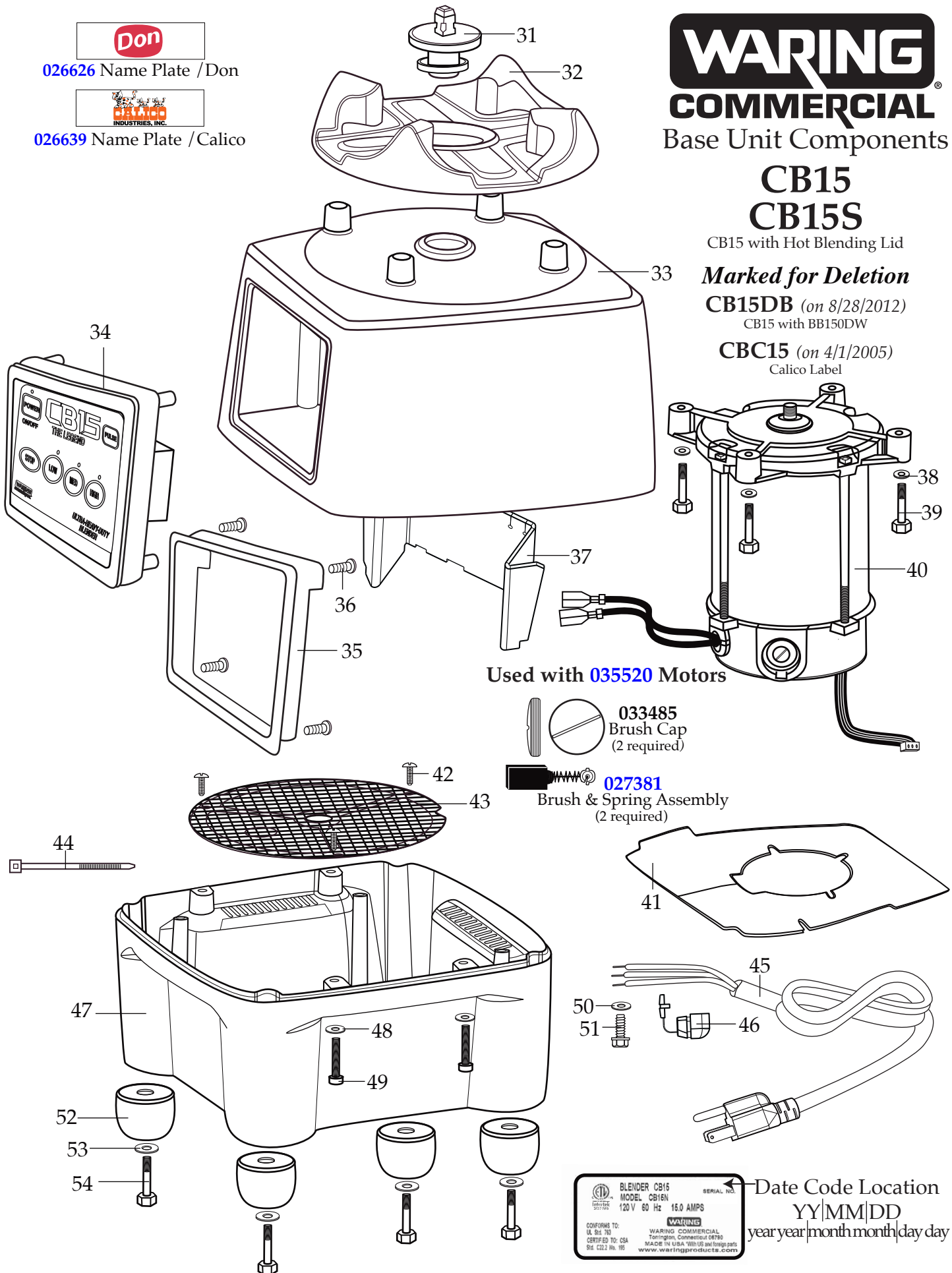
Marked for Deletion

CB15DB (on 8/28/2012)

CB15 with BB150DW

CBC15 (on 4/1/2005)

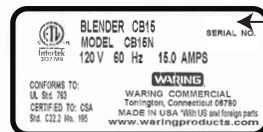
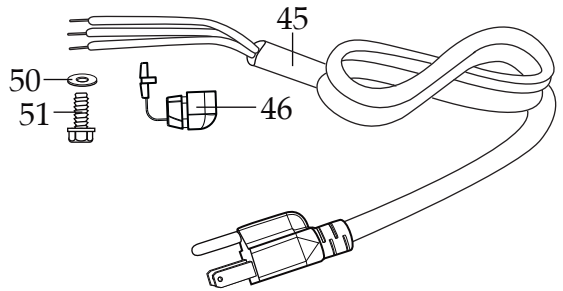
Calico Label



Used with **035520** Motors

033485
Brush Cap
(2 required)

027381
Brush & Spring Assembly
(2 required)



Date Code Location
YY|MM|DD
year|year|month|month|day|day

Catalog

CB15 (after 9/29/2016)
 CB15S Convert Back to CB15N

Model

CB15G (after 4/7/2016) CB15N (after 9/16/2013) CB15 CB15S

CB15DB (marked for deletion on 8/28/2012) CB15DB
 CBC15 (marked for deletion on 4/1/2005) CBC15

WARING
COMMERCIAL

314 Ella T. Grasso Ave.
 Torrington, CT 06790
 Tele. 1-800-269-6640
 Fax 860-496-9017

www.waringcommercialproducts.com

Illustration#	Part#	Description
1	024000	Hot Blending Outer Lid
2	026496	Hot Blending Outer Lid Gasket
3	023998	Hot Blending Baffle Cup
4	002972	Cap Nut
5	027581	Flat Washer
6	027683	Blade
7	018389	"O" Ring
8	027582	Bearing Cap
9	018390	Small "V" Ring
10	023934	Bearing Holder
11	004946	Washer
12	018386	Bearing
13	023926	Spacer
14	023907	Spring Washer
15	023927	Retaining Ring
16	023906	Large "V" Ring
17	023933	Drive Shaft
18	025817	Key (changed after 6/18/2004)
19	028530	Cover Insert (on CB15, CB15S, CB15DB, CBC15 units after 9/27/2006)
20	028226	Outer Lid (on CB15, CB15S, CB15DB, CBC15 units after 9/27/2006)
21	013470	Stopper (used with 023999 plastic lid)
22	023999	Plastic Outer Lid (obsolete)
23	026496	Plastic Lid Gasket (on units before 10/9/2006)
24	008791	Latch Wire (3 required)
25	502773	Bracket Assembly-spot welded to container (3 required)
26	023909	Double Handle Container
27	502977	Complete Blending Assembly (changed after 2/24/2006)
28	004949	Container Support Gasket
29	025571	Container Support (container base changed after 8/12/2002)
30	012008	Lock Nut
31	503328 502696	Coupling with Magnet Ring (on units after 8/20/2013) Coupling
32	025871	Jar Pad
33	028025	Top Housing (changed after 10/25/2010)

Catalog**Model**

CB15 (after 9/29/2016)
 CB15S Convert Back to CB15N (after 4/7/2016) CB15G CB15N CB15 CB15S
 (after 9/16/2013)
 CB15DB (marked for deletion on 8/28/2012) CB15DB
 CBC15 (marked for deletion on 4/1/2005) CBC15

WARING
COMMERCIAL

314 Ella T. Grasso Ave.
 Torrington, CT 06790
 Tele. 1-800-269-6640
 Fax 860-496-9017

www.waringcommercialproducts.com

Illustration#	Part#	Description
34	030893 026400	Control Panel (on units after 8/20/2013) Control Panel
35	029888	Rear Control Panel (on units after 8/20/2013)
36	026497	Screw (4 required)
37	030453	Control Panel Baffle (on units after 8/20/2013)
38	002984 003344 002984	Washer (4 required on units after 9/29/2016) Washer (4 required on units after 4/7/2016) Washer (4 required on units after 3/12/2003) (8 required for use with 015434)
39	016691 019098 016691 015434 015434	Hex Nut (4 required on units after 9/29/2016) Screw (4 required on units after 4/7/2016) Screw (4 required on units after 3/12/2003) Screw (4 required holds mounting plate to motor) Screw (4 required holds mounting plate & motor to top housing)
40	035520 029875 503472 029875 503323 026170 018788	Leili Motor (on units after 11/10/2017) ECM Motor with MTP (on units after 9/29/2016) Groschopp Motor Modified (on units after 4/7/2016 use 036445) ECM Motor with MTP (on units after 9/27/2013) Motor with Sensor (on units after 8/20/2013) ECM Motor (on units after 3/13/2003) Motor (no longer available)
41	026318 035355 026318	Baffle (on units after 9/29/2016) Baffle (on units after 4/7/2016) Baffle
42	026500	Screw (6 required)
43	018791	Screen
44	013731	Cable Tie (1 required on units after 9/10/2013) – (5 required)
45	503329 502855 501956	Cord Set (on units after 8/20/2013) Cord Set (on units after 1/17/2003) Cord Set
46	018811	Strain Relief
47	026317	Bottom Housing
48	002984	Washer (4 required)
49	026412	Screw (4 required)
50	002943 014798	Ground Washer (on units after 10/12/2009) Washer
51	027278 016317	Ground Screw (on units after 10/12/2009) Screw
52	026296	Foot (4 required)
53	018314	Washer (4 required)
54	026493	Screw (4 required)

Catalog

CB15 (after 9/29/2016)
 CB15S Convert Back to CB15N

Model

CB15G (after 4/7/2016)
 CB15N (after 9/16/2013)
 CB15S

CB15DB (marked for deletion on 8/28/2012)
 CBC15 (marked for deletion on 4/1/2005)

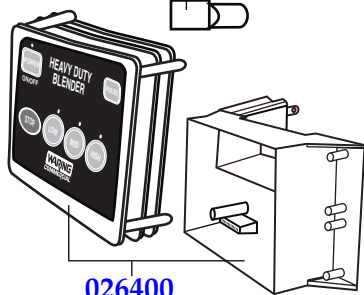
WARING COMMERCIAL

314 Ella T. Grasso Ave.
 Torrington, CT 06790
 Tele. 1-800-269-6640
 Fax 860-496-9017

www.waringcommercialproducts.com

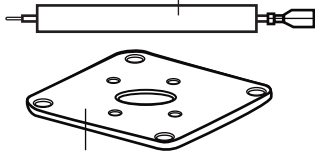
Parts No Longer Used

019123
 Crimp Connector
 (on units between 3/14/2003 thru 8/20/2013)



026400
 Control Module Panel
 (on units before 9/3/2013)

502853
 Lead & Fuse Assembly
 (on units between 3/14/2003 thru 8/20/2013)



018787
 Motor Plate
 (on units before 3/13/2003)

Used with 029875 Motors



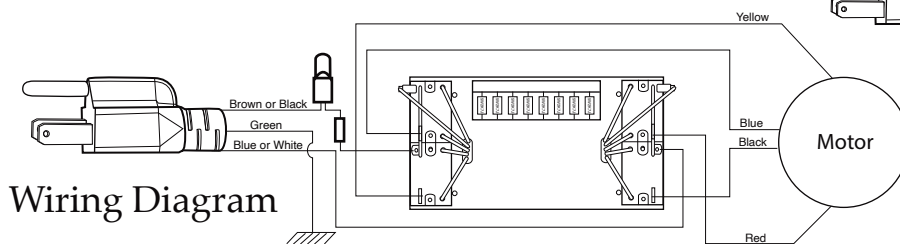
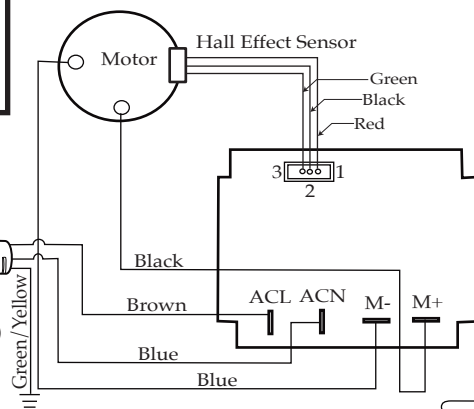
033485
 Brush Cap
 (2 required)



027381
 Brush & Spring Assembly
 (2 required)

Wiring Diagram

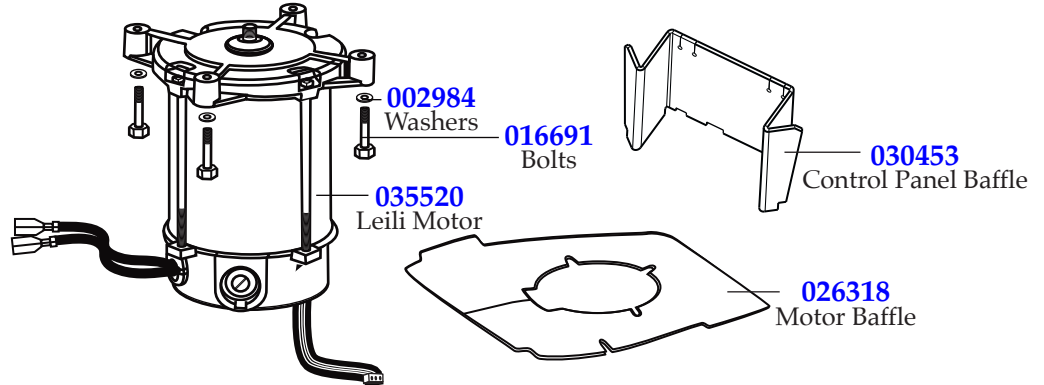
(on units after 8/20/2013)



Wiring Diagram

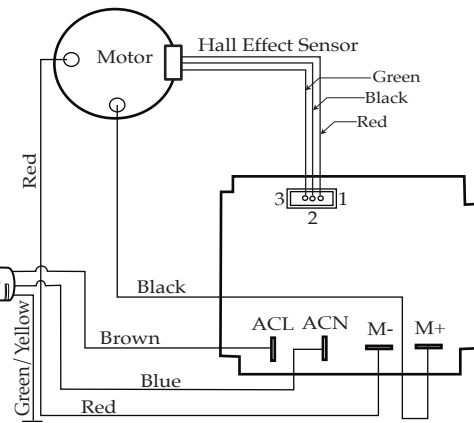
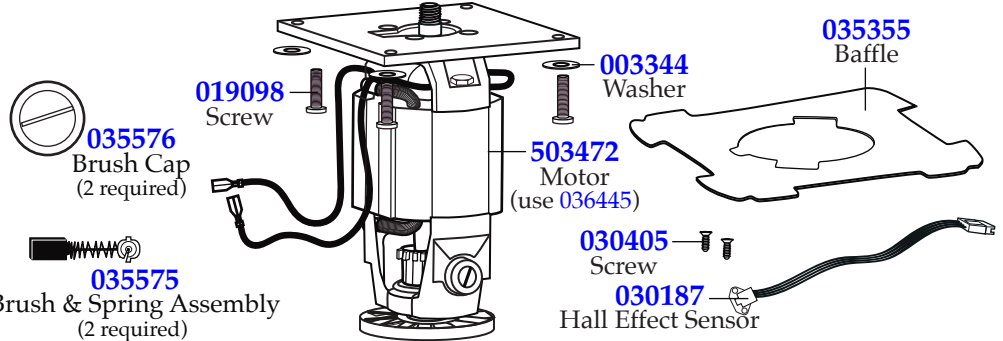
036445

CB15 Groschopp Motor Replacement Kit



Groschopp Motor Parts No Longer Used

(on units between 4/14/2016 & 9/29/2016)



Wiring Diagram

(on units after 11/10/2017)