

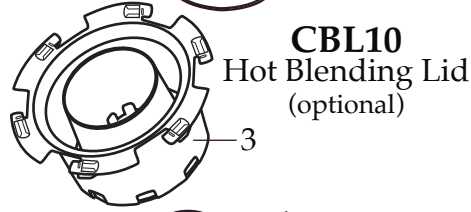
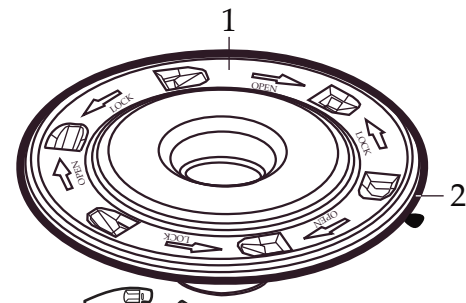
WARING COMMERCIAL

One Gallon Blender
and Spigot Container

CB15SF

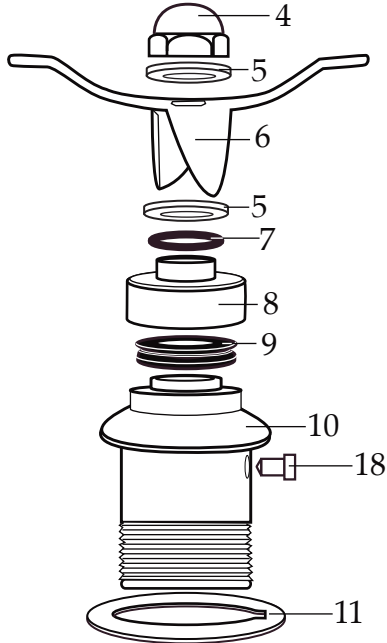
Unit Information

3 Limited Motor Warranty
15.0 Amps.
1,700-18,000 RPM's (no load)



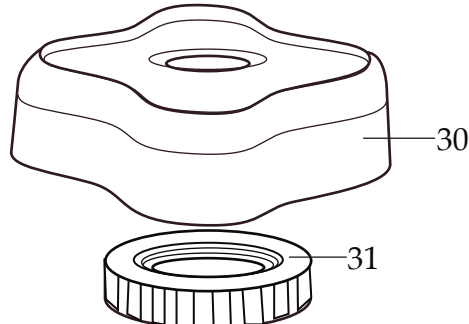
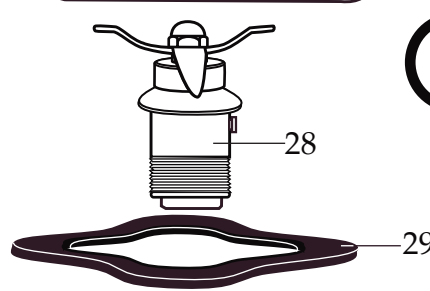
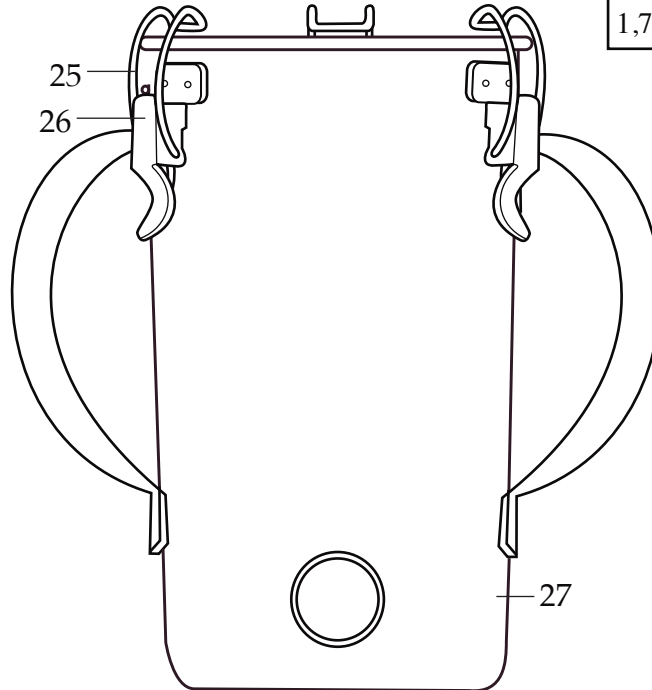
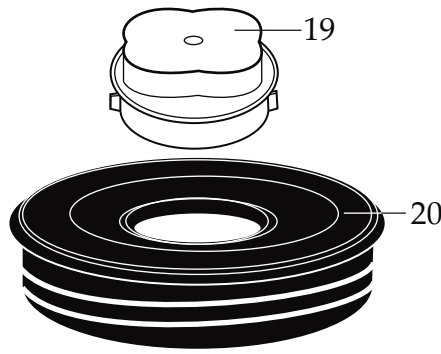
CBL10

Hot Blending Lid
(optional)



502977

Blending Assembly

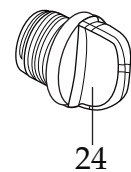
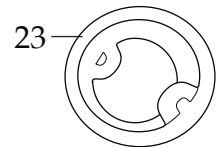
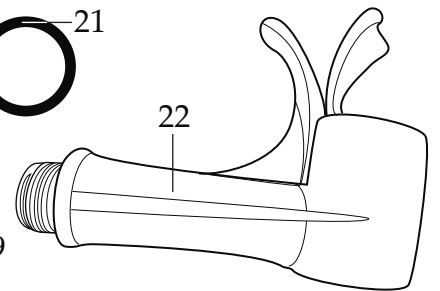


503433

Container with Blending Assembly and Spigot

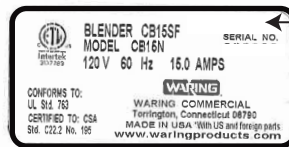
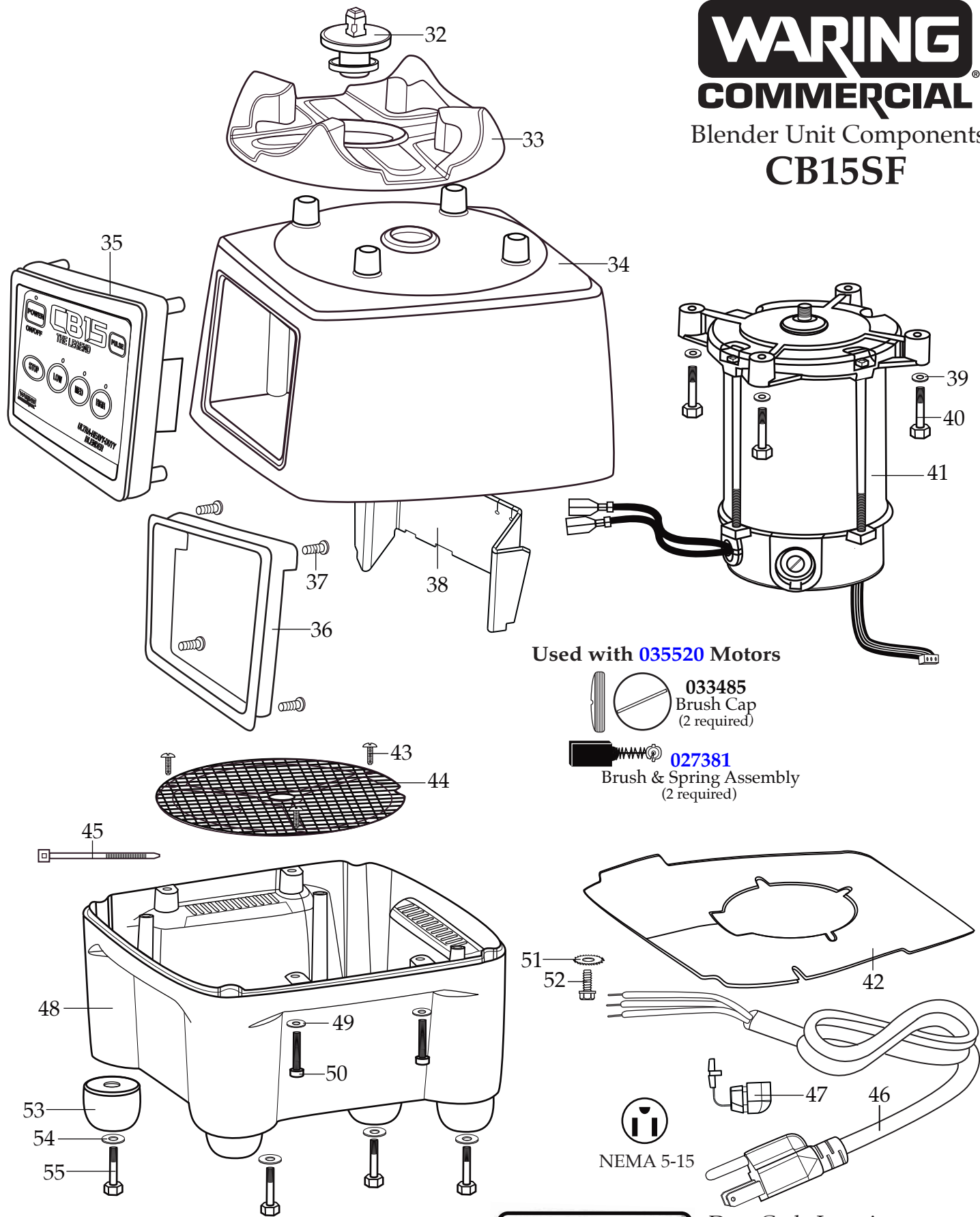


013304
NSF Seal



WARING COMMERCIAL

Blender Unit Components CB15SF

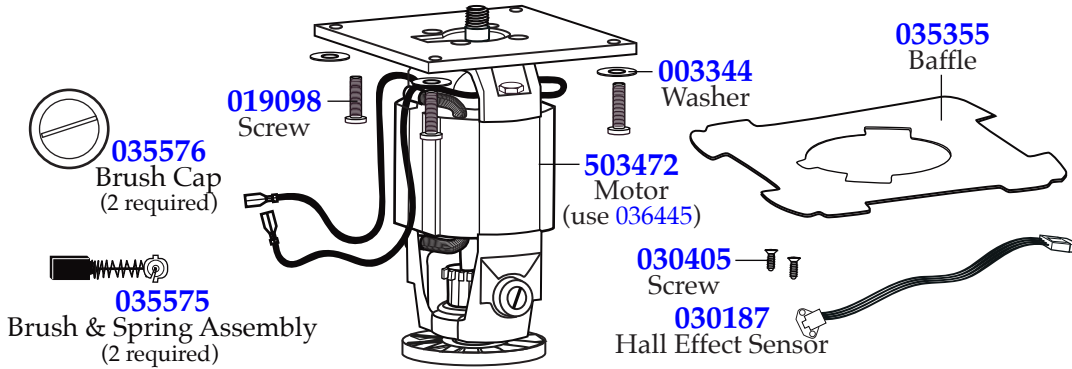


Date Code Location
YY|MM|DD
year|year|month|month|day|day

Illustration#	Part#	Description
1	024000	Hot Blending Outer Lid
2	026496	Gasket
3	023998	Hot Blending Baffle Cup
4	002972	Cap Nut
5	027581	Flat Washer (2 required)
6	027683	Blade
7	018389	"O" Ring
8	027582	Bearing Cap
9	018390	Small "V" Ring
10	023934	Bearing Holder
11	004946	Washer
12	018386	Bearing (2 required)
13	023926	Spacer
14	023907	Spring Washer
15	023927	Retaining Ring
16	023906	Large "V" Ring
17	023933	Drive Shaft
18	025817	Key
19	028530	Cover Insert
20	028226	Outer Lid
21	034026	"O" Ring
22	033965	Spigot Assembly
23	034320	Spigot Rubber Insert
24	034016	Spigot Plug
25	008791	Latch Wire (3 required)
26	502773	Bracket Assembly (spot welded to container 3 required)
27	503434	Container-Adapter Assembly
28	502977	Blending Assembly (complete)
29	004949	Gasket for container base
30	025571	Container Support (container base)
31	012008	Lock Nut

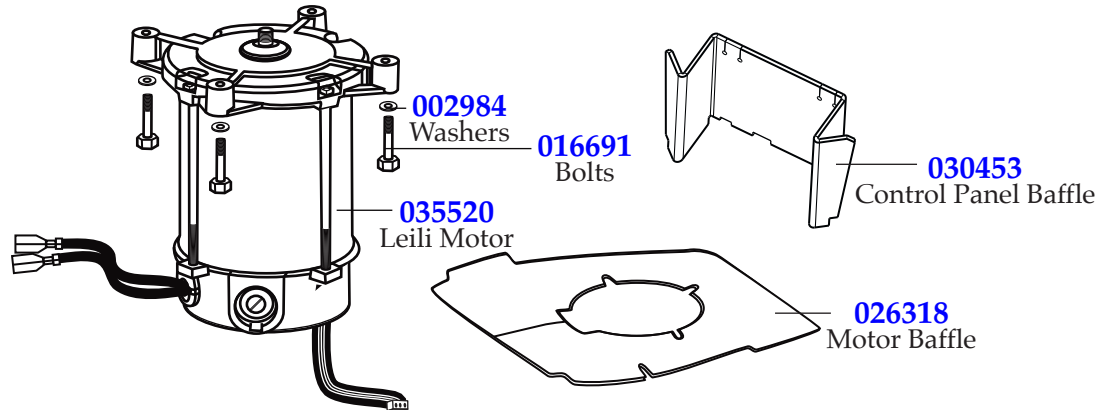
**Groschopp Motor
Parts No Longer Used**

(on units between 4/14/2016 & 9/29/2016)



036445

CB15 Groschopp Motor Replacement Kit



Used with 029875 Motors



Wiring Diagram

