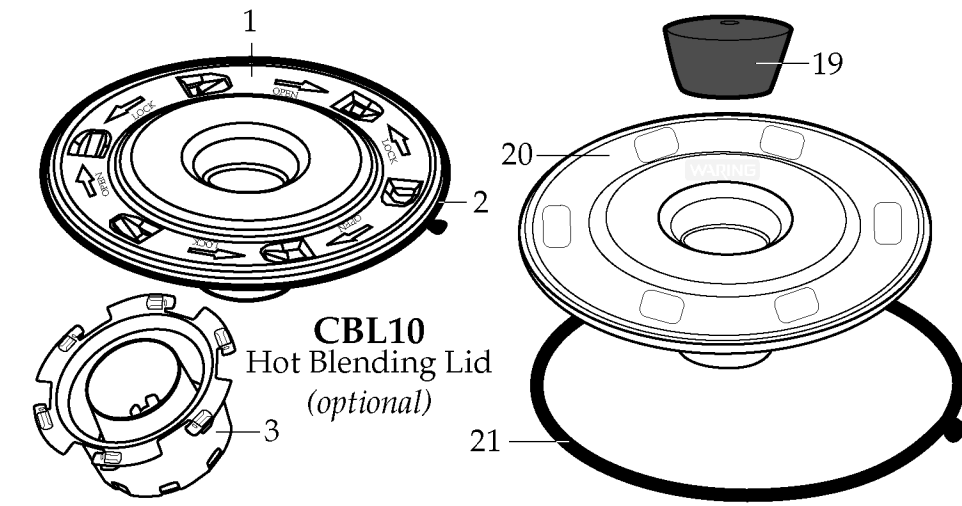


- CB10
- CB10S/CB10 packed with CBL10
- CB10CS/CSA
- CB10D/Edward Don
- CB10DB/CB10D packed with BB15DW
- CB10R/Rykoff
- CBC10/Calico
- LBC10/Laboratory
- LBC10C/Laboratory CSA

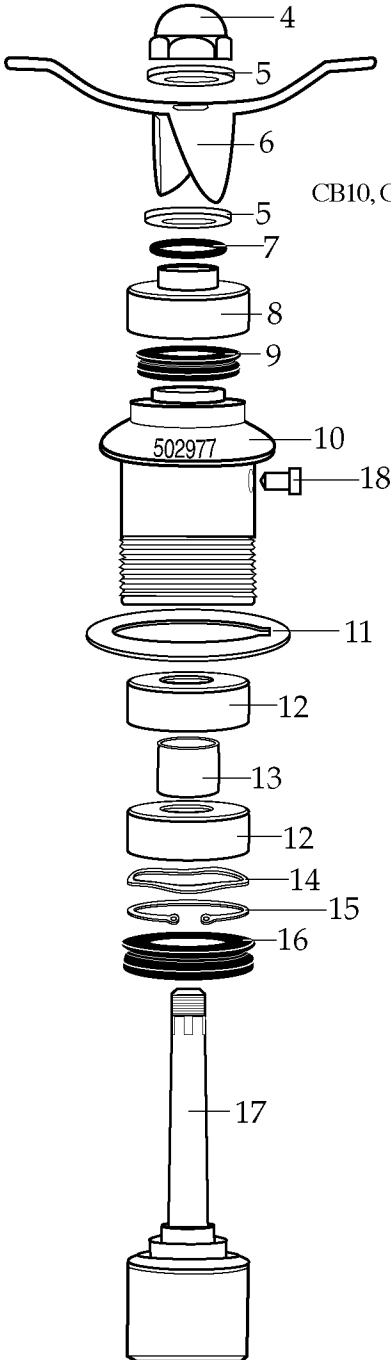


CBL10
Hot Blending Lid
(optional)



013304
NSF Seal

CB10, CB10CS, CB10D, CB10R, CBC10, LBC10



**Parts to old 502493
Blending Assy.**

different from new Assy.
(limited quantities available)

- 018397 - Washer
- 018388 - O Ring
- 023903 - Bearing Cap

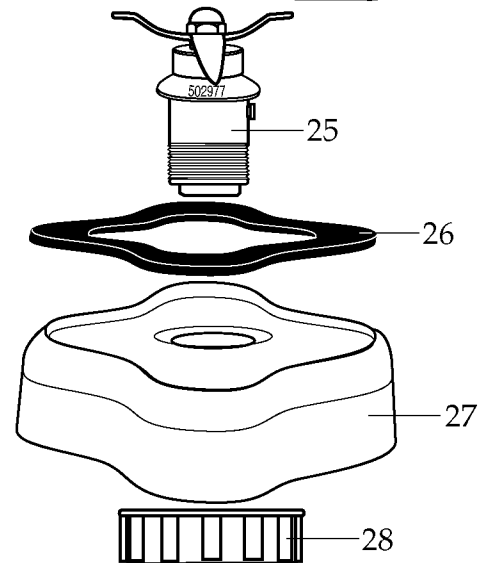
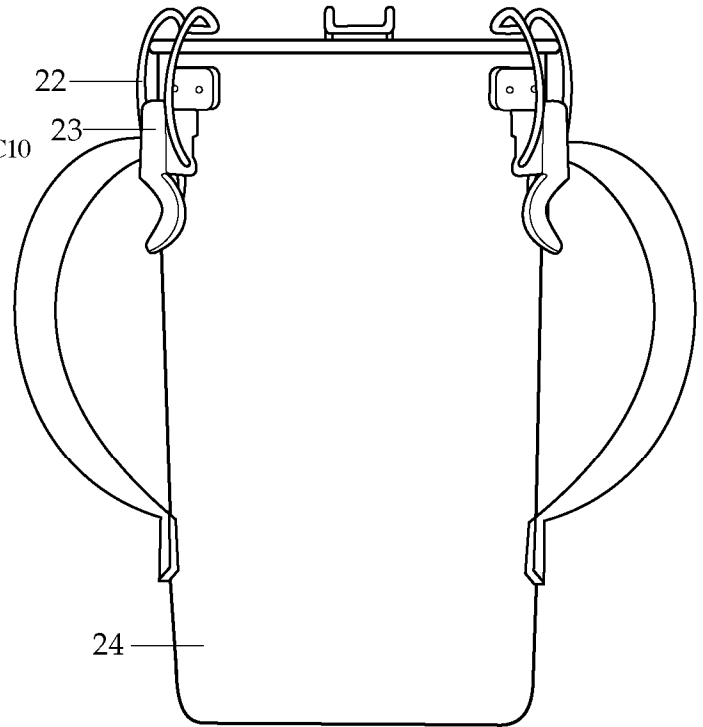
**Parts to old 501838
Blending Assy.**

different from 502493 Assy.
(limited quantities available)

- 018396 - Blade
- 018387 - Spacer
- 018394 - Drive Shaft
- 018438 - Bearing Holder
- 018383 - Bearing Cap

Unit Information

Speeds	3 HP 15 Amps.		
	RPM's Free	RPM's with 2 Qts. Water	RPM's with 4 Qts. Water
HI	20,000	15,000	13,000
MED	18,300	13,000	11,500
LOW	15,000	11,500	10,000
Pulse	20,000	15,000	13,000



502977

Blending Assembly
(replaces 502493, 501838
& 502975)

- 502235** - Container with Blending Assy. for All Units EXCEPT LBC10C
- 501866** - Container with Blending Assy. for LBC10C
- 704587** - Container Complete with Plastic Lid for All Units EXCEPT LBC10C
- 704350** - Container Complete with Stainless Steel Lid for All Units EXCEPT LBC10C

WARING COMMERCIAL®

CB10

CB10S/CB10 packed with CBL10

CB10CS/CSA

CB10D/Edward Don

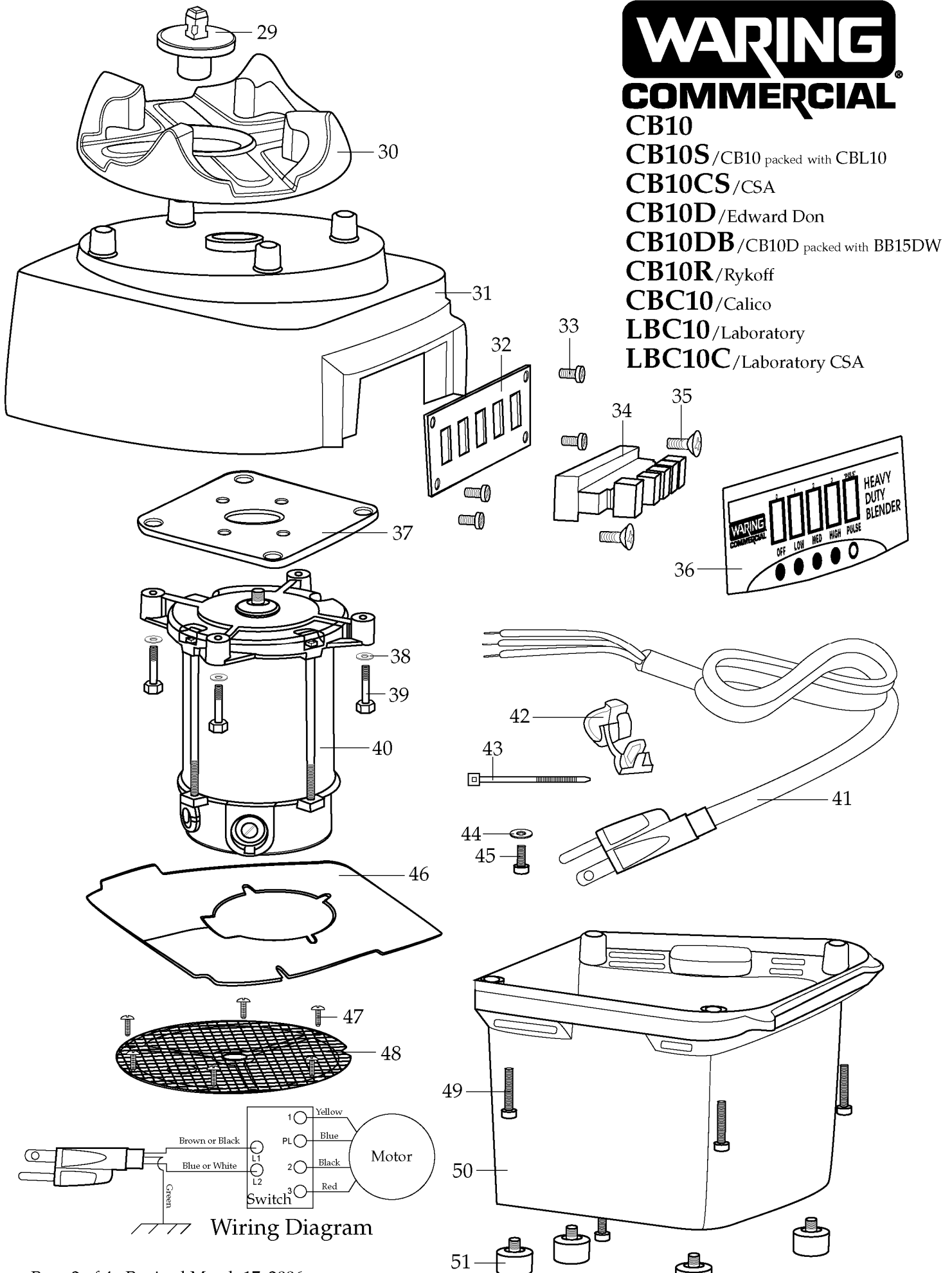
CB10DB/CB10D packed with BB15DW

CB10R/Rykoff

CBC10/Calico

LBC10/Laboratory

LBC10C/Laboratory CSA



Catalog#

CB10
 CB10CS
 CB10D
 CB10R
 CBC10
 LBC10
 LBC10C

Model

38BL19
 38BL56
 38BL55
 38BL59
 38BL57
 38BL52
 39BL35

**Illustration #****Part #****Description**

1	024000	Outer Lid /polycarbonate for hot blending
2	026496	Gasket
3	023998	Baffle Cup for hot blending lid
4	002972	Cap Nut
5	027581	Washer /flat
6	027683	Blade
7	018389	"O" Ring
8	027582	Bearing Cap
9	018390	"V" Ring /small
10	023934	Bearing Holder
11	004946	Washer /teflon
12	018386	Bearing
13	023926	Spacer
14	023907	Spring Washer
15	023927	Retaining Ring
16	023906	"V" Ring /large
17	023933	Drive Shaft
18	025817	Key
19	013470	Stopper
20	023999	Plastic Outer Lid for CB10, CB10CS, CB10D, CB10R, CBC10, LBC10
	013469	Stainless Steel Outer Lid for LBC10, LBC10C
21	026496	Gasket /plastic lid for CB10, CB10CS, CB10D, CB10R, CBC10, LBC10
	017442	Gasket /stainless steel lid for LBC10, LBC10C
22	008791	Latch Wire 3 Req.'d
23	502773	Bracket Assy. /spot welded to container 3 Req.'d <i>(current production)</i>
	017847	Bracket Assy. /spot welded to container 3 Req.'d <i>(older units)</i>
24	023909	Double Handle Container
25	502977	Blending Assy. /complete
26	004949	Gasket /container base
27	025571	Container Support /container base
28	012008	Lock Nut
29	502696	Coupling
30	025871	1 Piece Jar Pad
31	502827	Top Housing Assy. /comes with one piece jar pad

Catalog#

CB10
 CB10CS
 CB10D
 CB10R
 CBC10
 LBC10
 LBC10C

Model

38BL19
 38BL56
 38BL55
 38BL59
 38BL57
 38BL52
 39BL35



Illustration #	Part #	Description
32	018796	Switch Plate
33	019154	Screw 4 Req.'d
34	018794	Switch
35	008412	Screw 2 Req.'d
36	018797	Name Plate for CB10, CB10CS
	019277	Name Plate for CB10D
	019278	Name Plate for CB10R
	019280	Name Plate for CBC10
	019548	Name Plate for LBC10, LBC10C
37	018787	Mounting Plate
38	002984	Washer /holds mounting plate to motor 4 Req.'d
	002984	Washer /holds mounting plate & motor to top hsg. 4 Req.'d
39	015434	Screw /holds mounting plate to motor 4 Req.'d
	015434	Screw /holds mounting plate & motor to top hsg. 4 Req.'d
40	501957	Motor for CB10, CB10D, CB10R, CBC10, LBC10
	026170	Motor for CB10CS, LBC10C
41	501956	Cord Set
42	018811	Strain Relief
43	013731	Cable Tie 2 Req.'d
	019190	Cable Tie 3 Req.'d
44	015337	Washer
45	016690	Screw
46	018792	Baffle
47	016317	Screw 3 Req.'d
48	018791	Screen
49	019098	Screw 4 Req.'d
50	018783	Bottom Housing
51	018790	Foot 4 Req.'d

Items Not Shown

019790 - Brush & Spring /motor 2 Req.'d
 027031 - Brush Cap 2 Req.'d
 023132 - Aligning Tool /motor & top hsg.