

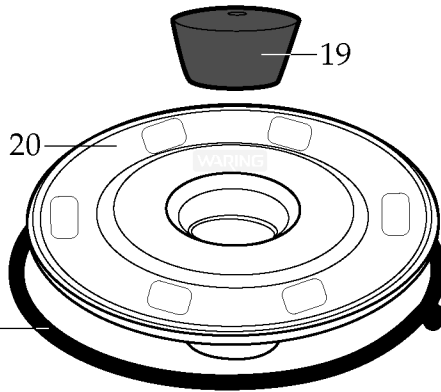
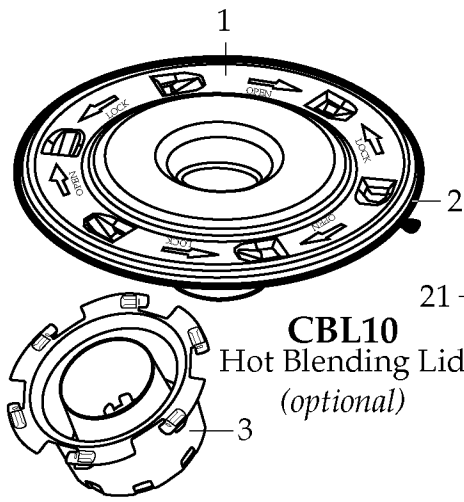


CB10T /gallon blender with timer

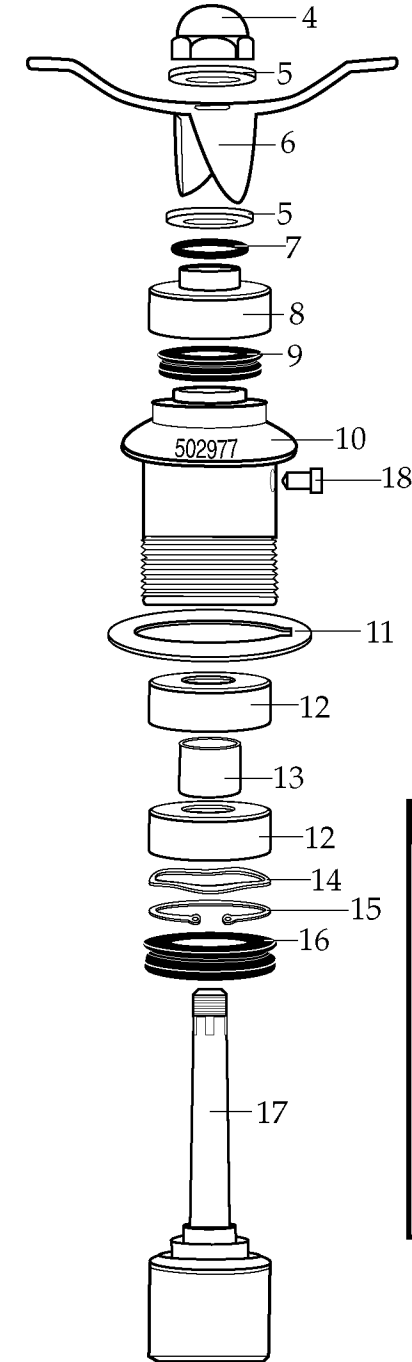
CB10TB /CB10T Base ONLY

CB10TS /CB10T packed w/ CBL10

CB10CT /CSA



013304
NSF Seal



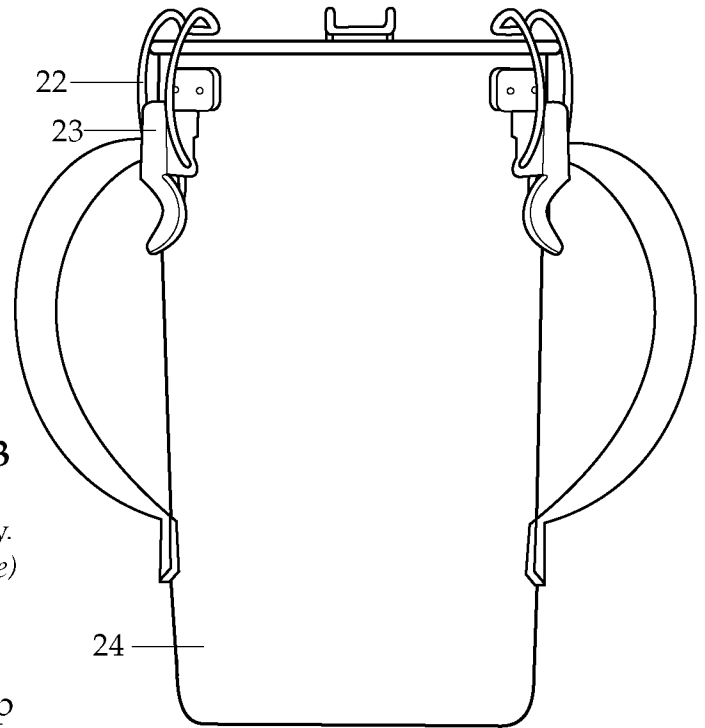
Parts to old 502493 Blending Assy.

different from new Assy.
(limited quantities available)

018397 - Washer

018388 - O Ring

023903 - Bearing Cap

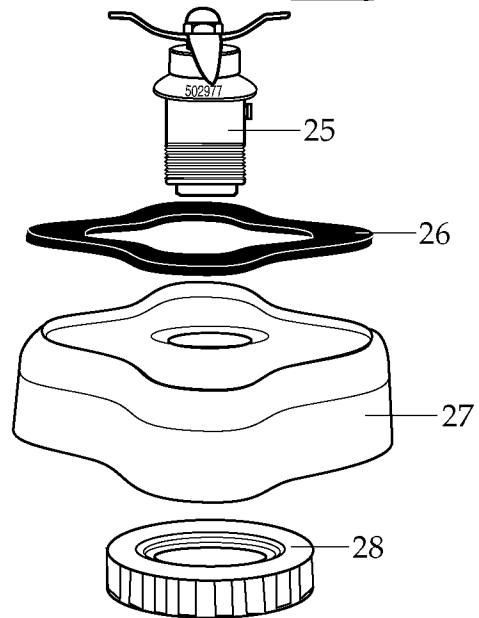


Unit Information

	3 HP 15 Amps.		
Speeds	RPM's Free	RPM's with 2 Qts. Water	RPM's with 4 Qts. Water
HI	20,000	15,000	13,000
MED	18,300	13,000	11,500
LOW	15,000	11,500	10,000
Pulse	20,000	15,000	13,000

Operating Cycle is 3 Min. ON
and 1 Min. OFF

Timer Adjustable From 1 to 120
seconds

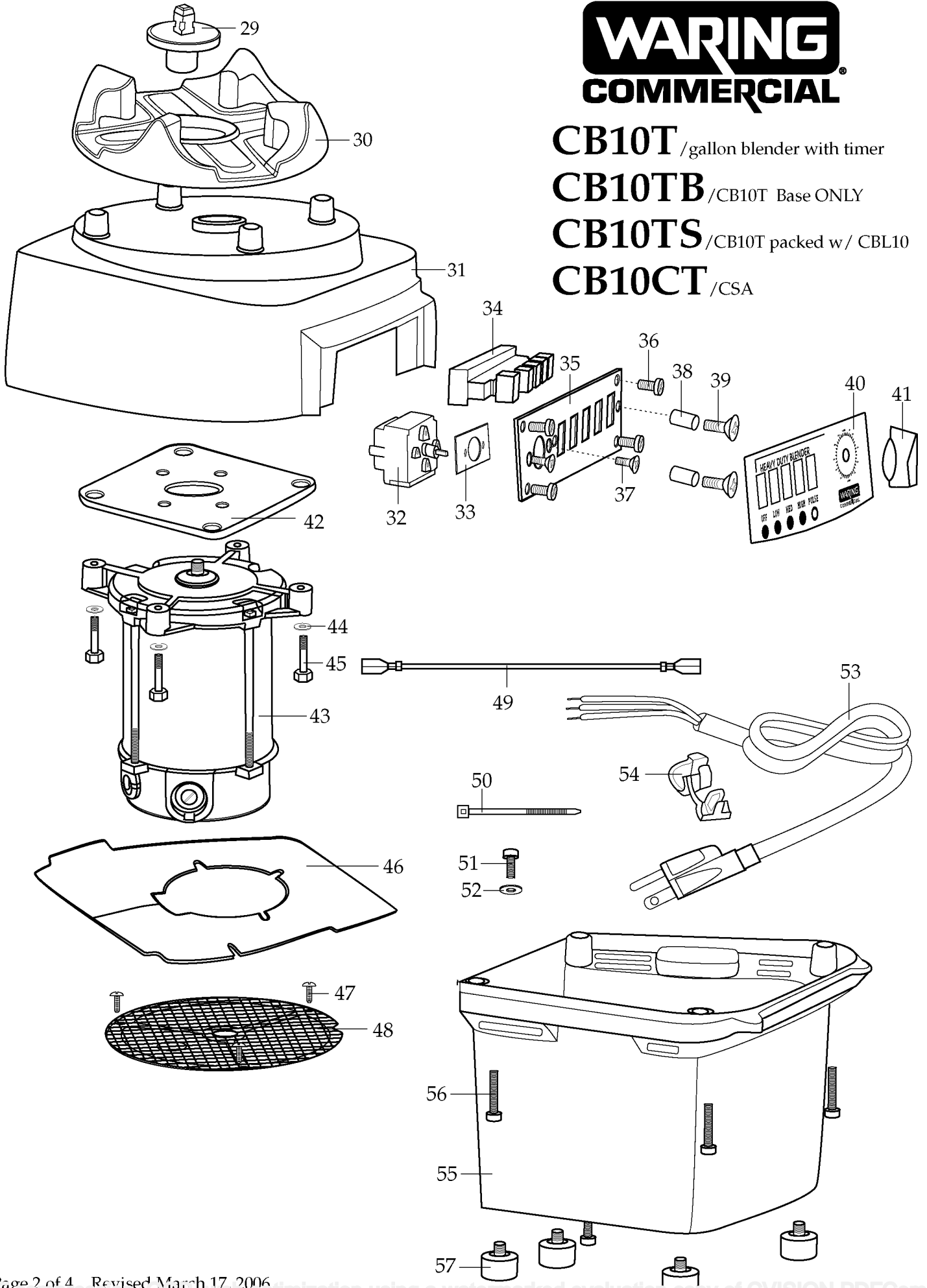


502977
Blending Assembly
(replaces 502493 & 502975)

502235 - Container with Blending Assy.
704587 - Container Complete with Plastic Lid
704350 - Container Complete with Stainless Steel Lid *(optional)*



CB10T /gallon blender with timer
CB10TB /CB10T Base ONLY
CB10TS /CB10T packed w/ CBL10
CB10CT /CSA



Catalog#

CB10T
 CB10TB
 CB10TS
 CB10CT

Model

38BL61
 38BL61
 39BL15
 38BL90

Waring Factory Service Center
 314 Ella T. Grasso Ave.
 Torrington, CT 06790
 Tele. 1-800-269-6640

Fax 860-496-9017
 www.waringproducts.com

Illustration #	Part #	Description
1	024000	Outer Lid /polycarbonate for hot blending
2	026496	Gasket
3	023998	Baffle Cup for hot blending lid
4	002972	Cap Nut
5	027581	Washer /flat
6	027683	Blade
7	018389	"O" Ring
8	027582	Bearing Cap
9	018390	"V" Ring /small
10	023934	Bearing Holder
11	004946	Washer /teflon
12	018386	Bearing
13	023926	Spacer
14	023907	Spring Washer
15	023927	Retaining Ring
16	023906	"V" Ring /large
17	023933	Drive Shaft
18	025817	Key
19	013470	Stopper
20	023999	Plastic Outer Lid
	013469	Stainless Steel Outer Lid
21	026496	Gasket /plastic lid
	017442	Gasket /stainless steel lid
22	008791	Latch Wire 3 Req.'d
23	502773	Bracket Assy. /spot welded to container 3 Req.'d (current production)
	017847	Bracket Assy. /spot welded to container 3 Req.'d (older units)
24	023909	Double Handle Container
25	502977	Blending Assy. /complete
26	004949	Gasket /container base
27	025571	Container Support /container base
28	012008	Lock Nut
29	502696	Coupling
30	025871	One Piece Jar Pad
31	502830	Top Housing Assy. /comes with lock washers, screws, jar pad post & jar pad
32	018102	Timer Switch
33	019317	Timer Standoff

Catalog#

CB10T
 CB10TB
 CB10TS
 CB10CT

Model

38BL61
 38BL61
 39BL15
 38BL90

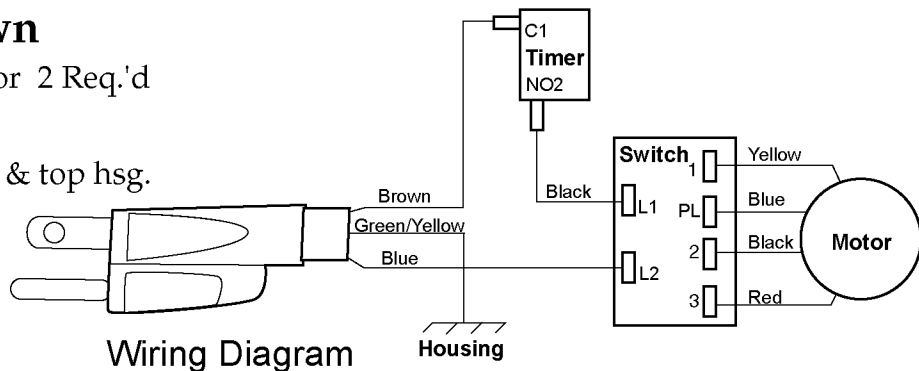
Waring Factory Service Center
 314 Ella T. Grasso Ave.
 Torrington, CT 06790
 Tele. 1-800-269-6640

Fax 860-496-9017
 www.waringproducts.com

Illustration #	Part #	Description
34	018794	Switch
35	019309	Switch Plate
36	019154	Screw /switch plate 4 Req.'d
37	019348	Screw /timer 2 Req.'d
38	019318	Spacer /switch 2 Req.'d
39	007446	Screw /switch 2 Req.'d
40	019313	Name Plate
41	018105	Timer Knob
42	018787	Mounting Plate
43	501957	Motor for CB10T
	026170	Motor for CB10CT
44	002984	Washer /holds mounting plate to motor 4 Req.'d
	002984	Washer /holds mounting plate & motor to top hsg. 4 Req.'d
45	015434	Screw /holds mounting plate to motor 4 Req.'d
	015434	Screw /holds mounting plate & motor to top hsg. 4 Req.'d
46	018792	Baffle
47	016317	Screw 3 Req.'d
48	018791	Screen
49	502241	Lead Assy. /black
50	019190	Cable Tie 3 Req.'d
	013731	Cable Tie 3 Req.'d
51	016690	Screw /ground wire
52	015337	Washer /ground wire
53	501802	Cord Set
54	018811	Strain Relief
55	018783	Bottom Housing
56	019098	Screw /holds housings together 4 Req.'d
57	018790	Foot 4 Req.'d

Items Not Shown

- 019790 - Brush & Spring /motor 2 Req.'d
- 900010 - Brush Cap 2 Req.'d
- 023132 - Aligning Tool /motor & top hsg.



Wiring Diagram

Housing